



**REALTREE®**

We strive to ensure that our products are of the highest quality and free of manufacturing defects or missing parts. However, if you have any problems with your new product,

**DO NOT RETURN IT TO THE STORE,**

please contact us toll free @:

**1-888-996-2729**

**FAX: 1-866-873-3531**

**gameroom@escaladesports.com**

Or write to:

Escalade Sports

Customer Service Department

P.O. Box 889

Evansville, IN 47706

Please visit our Web site at:

**[www.escaladesports.com](http://www.escaladesports.com)**

Please have your date code when inquiring about parts.

When contacting Escalade Sports please provide your model number, date code (if applicable), and part number if requesting a replacement part. These numbers are located on the product, packaging, and in this owners manual.

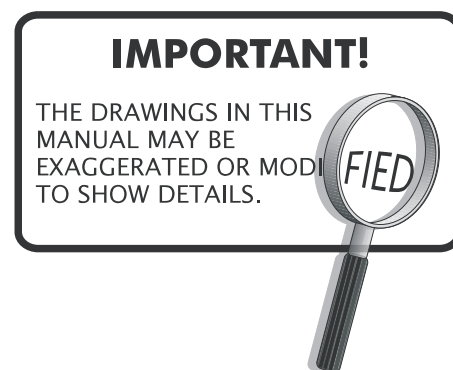
Your Model Number 45-6076W/F

Date Code: 2 - 45-6076W/F - 0716 - WJ

Purchase Date: \_\_\_\_\_

**PLEASE RETAIN THIS INSTRUCTION MANUAL FOR FUTURE REFERENCE**

**IMPORTANT! READ EACH STEP  
IN THIS MANUAL BEFORE YOU  
BEGIN THE ASSEMBLY.**



## TWO ADULTS ARE REQUIRED TO ASSEMBLE THIS REALTREE SOCCER TABLE

### Tools Required:

- T1 - Allen Wrench (Included)
- Phillips Screwdriver
- Furniture Polish and Cloth

An electric screwdriver is helpful in assembly. However, please set at low torque and use extreme caution with an electric screwdriver because you could overtighten the hardware and strip the screws.

## Assembly Tips

Make sure you understand the following tips before you begin to assemble your soccer table.

1. Start all bolts by hand before tightening.
2. Some drawings or images in this manual may not look exactly like your product. Please read and understand the text before starting each assembly step.



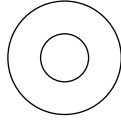
## **ATTENTION:**

**READ AND FOLLOW ALL ASSEMBLY, OPERATION, AND  
SAFETY INSTRUCTIONS CAREFULLY. AT LEAST TWO  
ADULTS ARE NEEDED TO PUT THIS SOCCER TABLE  
TOGETHER.**

# HARDWARE IDENTIFIER (To Scale)



H1 - 1/4" x 1-3/4"  
Allen Head Bolt  
(16 pcs)



H2 - 1/4" x 15 mm  
Flat Washer  
(16 pcs)



H3 - 1/4"  
Lock Washer  
(16 pcs)



H4 - 4 mm x 1/2"  
Phillips Round  
Head Screw  
(76 pcs)



H5 - 3.5 mm x 1-1/2"  
Phillips Flat  
Head Screw  
(8 pcs)



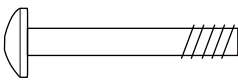
H6 - 3.5 mm x 1-1/4"  
Phillips Washer  
Head Screw  
(18 pcs)



H7 - 4 mm x 1/2"  
Phillips Flat  
Head Screw  
(10 pcs)



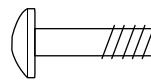
H8 - 4 mm x 1-3/4"  
Phillips Flat  
Head Screw  
(4 pcs)



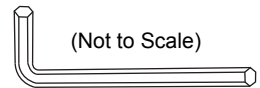
H9 - 4 mm x 1-1/8"  
Phillips Round  
Head Bolt  
(26 pcs)



H10 - 4 mm  
Lock Nut  
(26 pcs)



H11 - 3/16" x 5/8"  
Phillips Round  
Head Bolt  
(8 pcs)

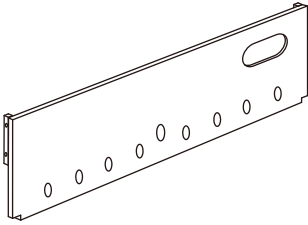


T1 - Allen Wrench  
(1 pc)

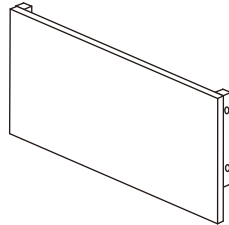
# ACCESSORIES IDENTIFIER (Not to Scale)



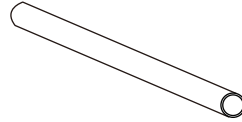
A1- Soccer Ball (4 pcs)



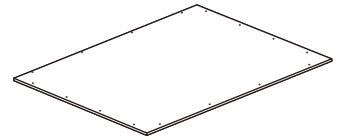
P1 - Side Apron (2 pcs)



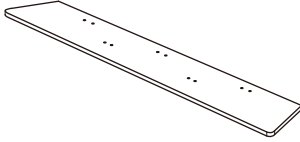
P2 - End Apron (2 pcs)



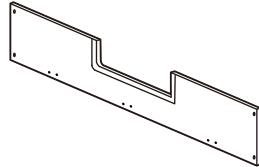
P3 - Cross Bar (2 pcs)



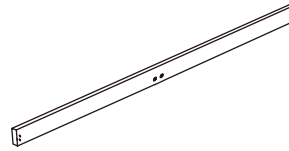
P4 - Playfield (1 pc)



P5 - End Top Panel (2 pcs)



P6 - Goal End Board (2 pcs)



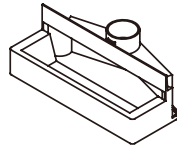
P7 - Playfield Support  
Brace (2 pcs)



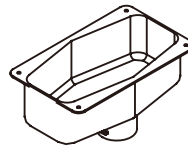
P8 - Left Leg (2 pcs)



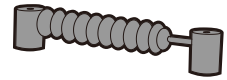
P9 - Right Leg (2 pcs)



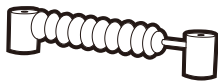
P10 - Goal Box (2 pcs)



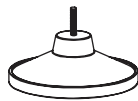
P11 - Ball Catcher (2 pcs)



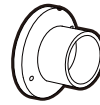
P12 - Bead-Scorer  
Orange (1 pc)



P13 - Bead Scorer  
Ivory (1 pc)



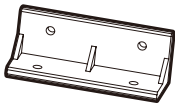
P14 - Leg Leveler (4 pcs)



P15 - Entry Cup  
Inside (2 pcs)



P16 - Entry Cup  
Outside (2 pcs)



P17 - "L" Bracket  
(16 pcs)



P18 - 2 Player Rod  
(2 pcs)



P19 - 3 Player Rod  
(4 pcs)



P20 - 5 Player Rod  
(2 pcs)



P21 - Orange Player  
(13 pcs)



P22 - Ivory Player  
(13 pcs)



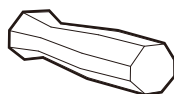
P23 - Rod Bumper  
(16 pcs)



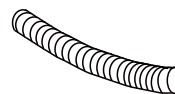
P24 - Rod Washer  
(16 pcs)



P25 - Rod End  
Cap (8 pcs)



P26 - Rod Handle  
(8 pcs)



P27 - Ball Return  
Tube (2 pcs)

### PARTS REQUIRED:

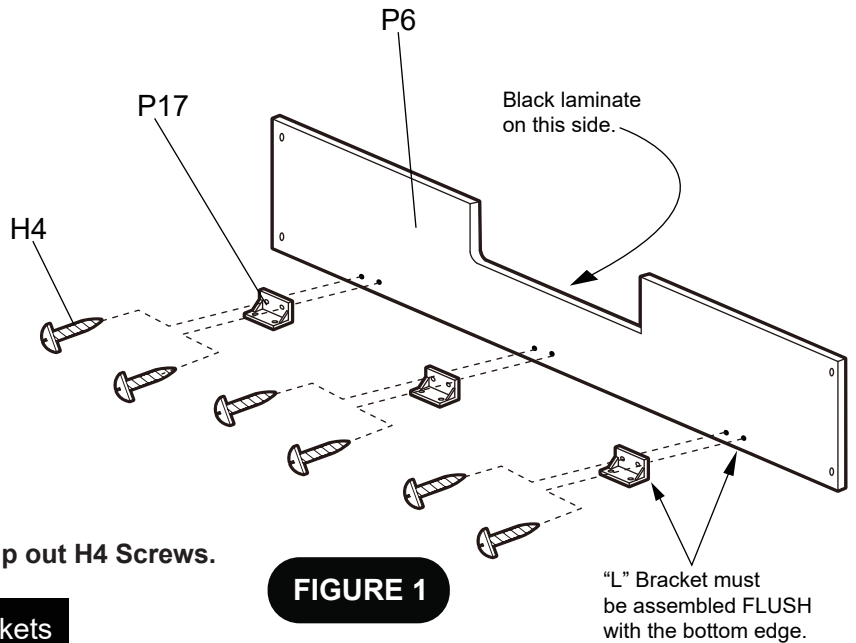
- 12 pcs - **H4** Phillips Round Head Screw
- 2 pcs - **P6** Goal End Board
- 6 pcs - **P17** "L" Bracket

### STEP 1:

Find a clean, level place to begin the assembly of your soccer table. We recommend building the table on the box top to protect the parts during assembly. It is very important to assemble table on a level and flat surface.

Attach **P17** "L" Brackets onto **P6** Goal End Boards using pre-drilled holes and **H4** Screws as shown in **FIGURE 1**. Tighten, but do not strip out **H4** Screws.

**IMPORTANT NOTE:** Be sure **P17** "L" Brackets are placed and screwed "FLUSH" with bottom of **P6** Board as shown..



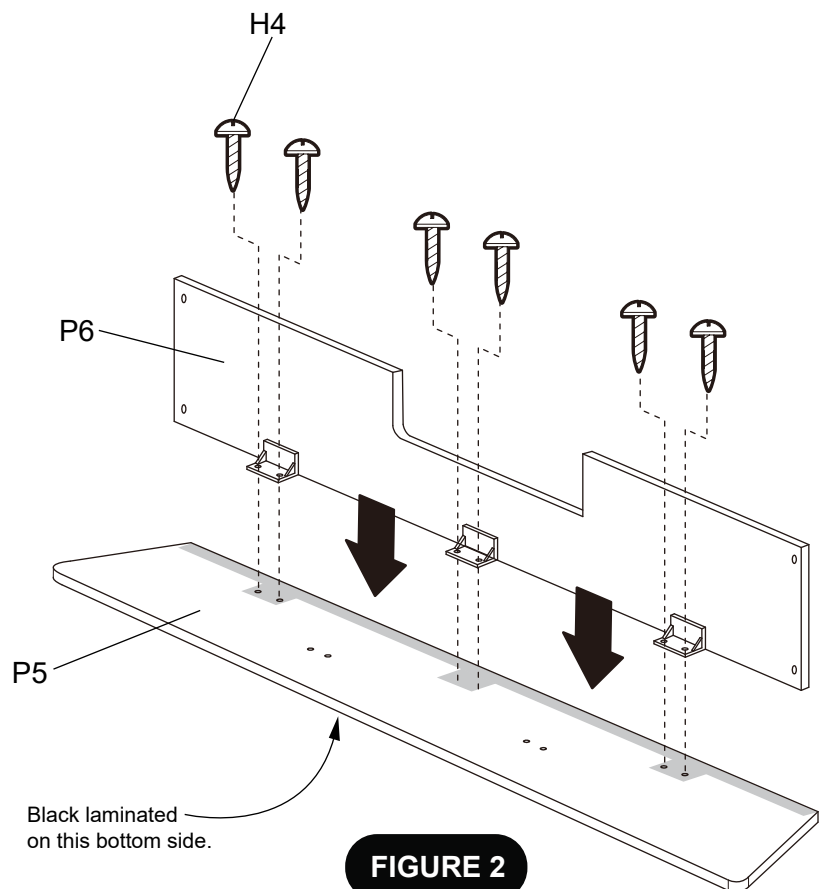
**FIGURE 1**

### PARTS REQUIRED:

- 12 pcs - **H4** Phillips Round Head Screw
- 2 pcs - **P5** End Top Panel
- 6 pcs - **P17** "L" Bracket

### STEP 2:

Attach **P6** Goal End Boards from **STEP 1** onto **P5** End Top Panels using pilot holes and **H4** Screws as shown in **FIGURE 2**. Tighten, but do not strip out **H4** Screws.



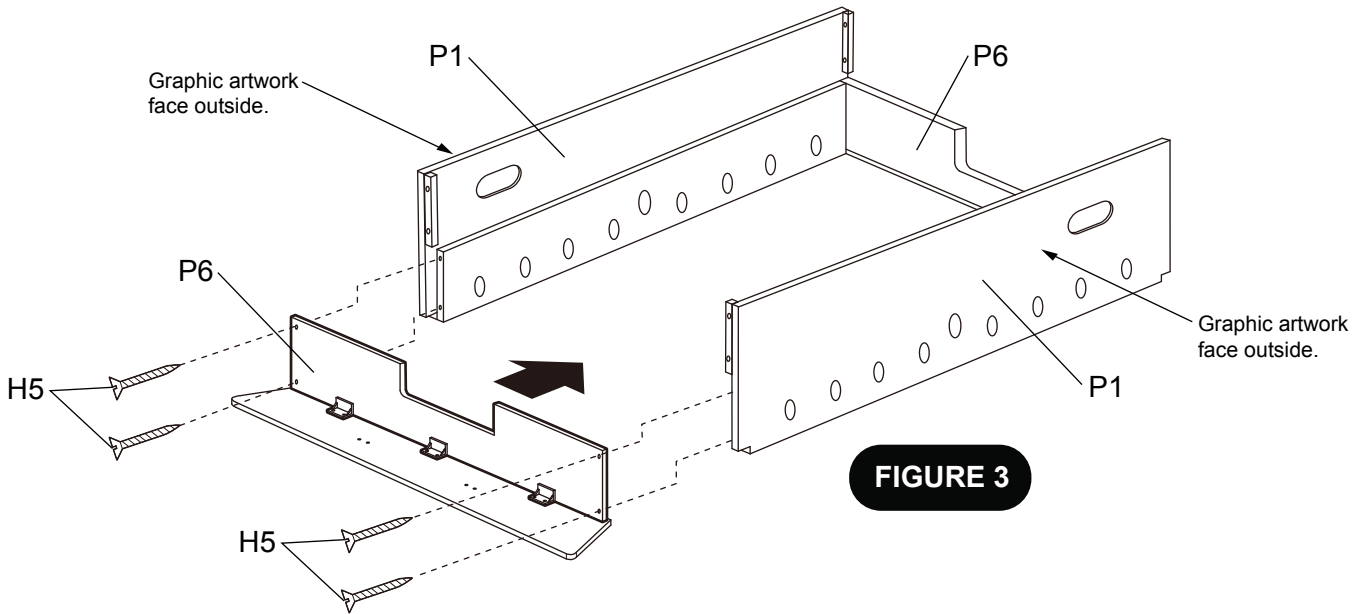
**FIGURE 2**

**PARTS REQUIRED:**

- 8 pcs - H8 Phillips Flat Head Screw
- 2 pcs - P1 Side Apron

**STEP 3:**

Attach P6 Goal End Boards from assembly STEP 2 onto P1 Side Aprons using H5 Screws as shown in FIGURE 3. Tighten, but do not strip out H5 Screws.

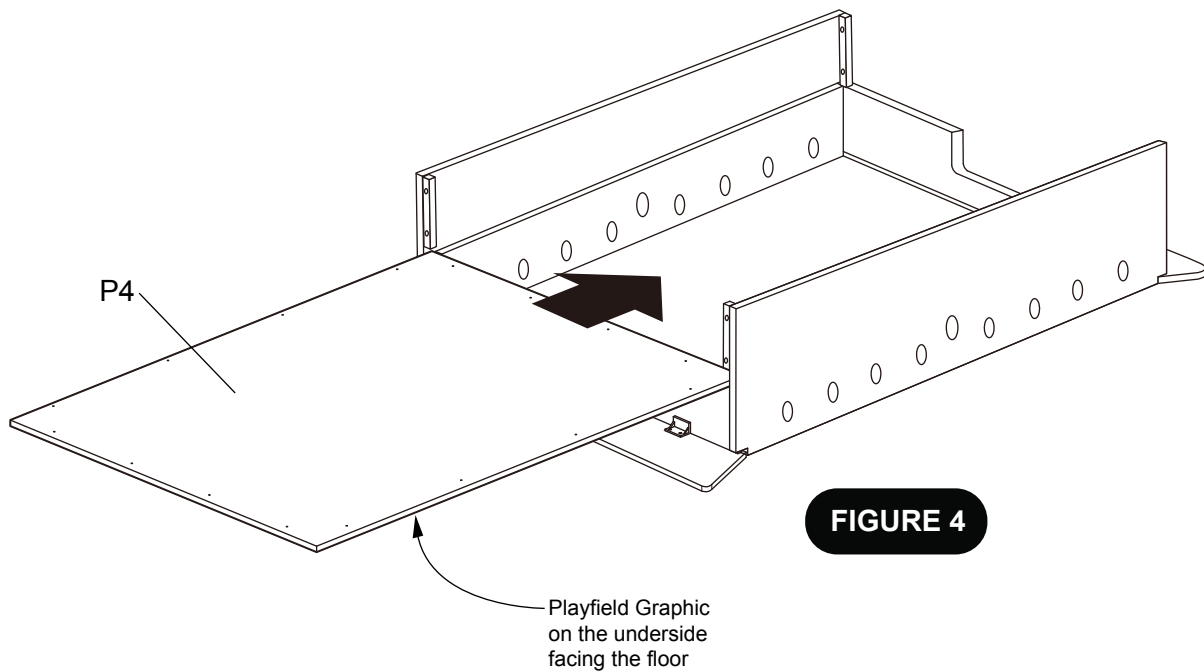


**PARTS REQUIRED:**

- 1 pc - P4 Playfield

**STEP 4:**

Slide P4 Playfield with the graphic facing down into the cabinet as shown in FIGURE 4.



**PARTS REQUIRED:**

18 pcs - **H6** Phillips Washer Head Screw

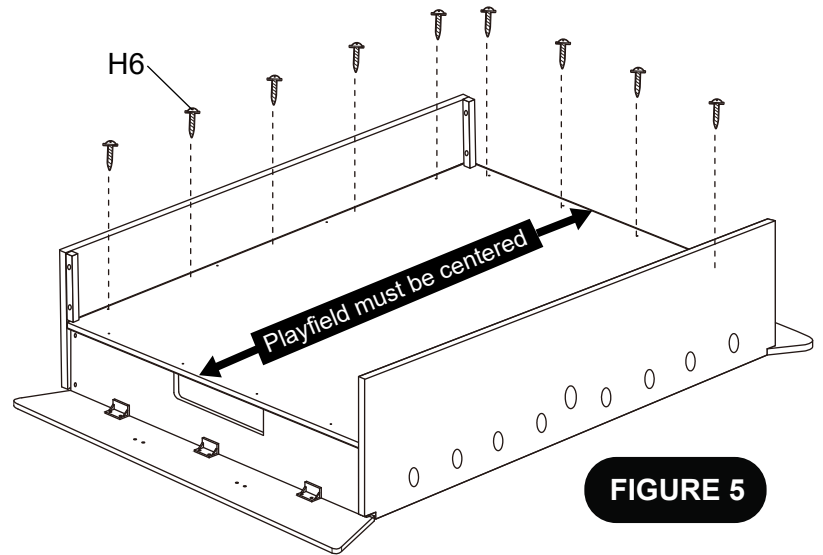
**STEP 5:**

Center and attach **P4** Playfield into the cabinet using pre-drilled pilot holes with **H6** Screws as shown in **FIGURE 5**.

Tighten, but do not strip out **H6** Screws.

**IMPORTANT NOTE:**

Please be sure to install **H6** Screws exactly as per **FIGURE 5**. Screws must be screwed straight down.



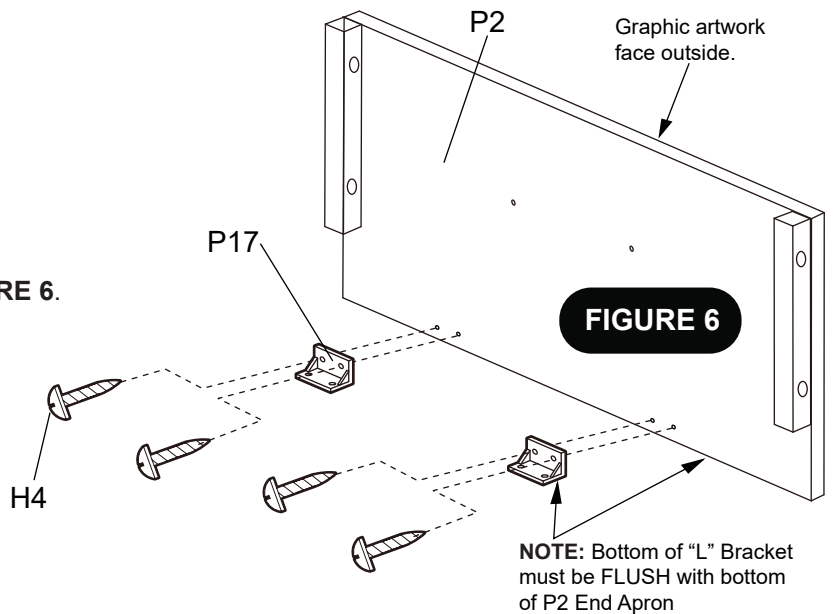
**FIGURE 5**

**PARTS REQUIRED:**

8 pcs - **H4** Phillips Round Head Screw  
2 pcs - **P2** End Apron  
4 pcs - **P17** "L" Bracket

**STEP 6:**

Attach **P17** "L" Brackets onto **P2** End Aprons using pre-drilled holes and **H4** Screws as shown in **FIGURE 6**. Tighten, but do not strip out **H4** Screws.



**FIGURE 6**

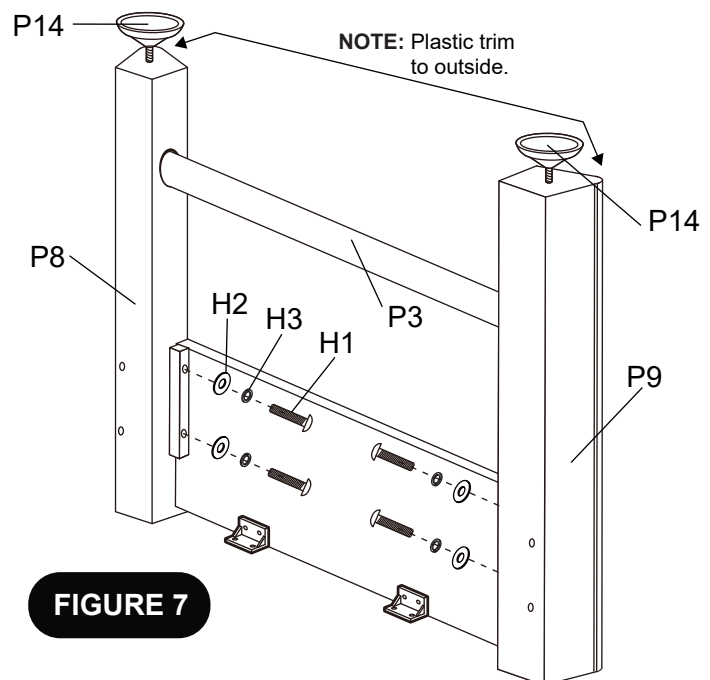
**PARTS REQUIRED:**

8 pcs - **H1** Allen Head Bolt      2 pcs - **P8** Left Leg  
8 pcs - **H2** Flat Washer          2 pcs - **P9** Right Leg  
8 pcs - **H3** Lock Washer          4 pcs - **P14** Leg Leveler  
2 pcs - **P3** Cross Bar              1 pc - **T1** Allen Wrench

**STEP 7:**

Attach **P8** Left Legs and **P9** Right Legs onto **P2** End Aprons using **H1** Bolts, **H3** Lock Washers, **H2** Washers and **P3** Cross Bars as shown in **FIGURE 7**. Use **T1** Allen Wrench to tighten Bolts. Do not tighten Bolts at this time.

Thread **P14** Leg Levelers onto each Leg as shown in **FIGURE 7**.



**FIGURE 7**

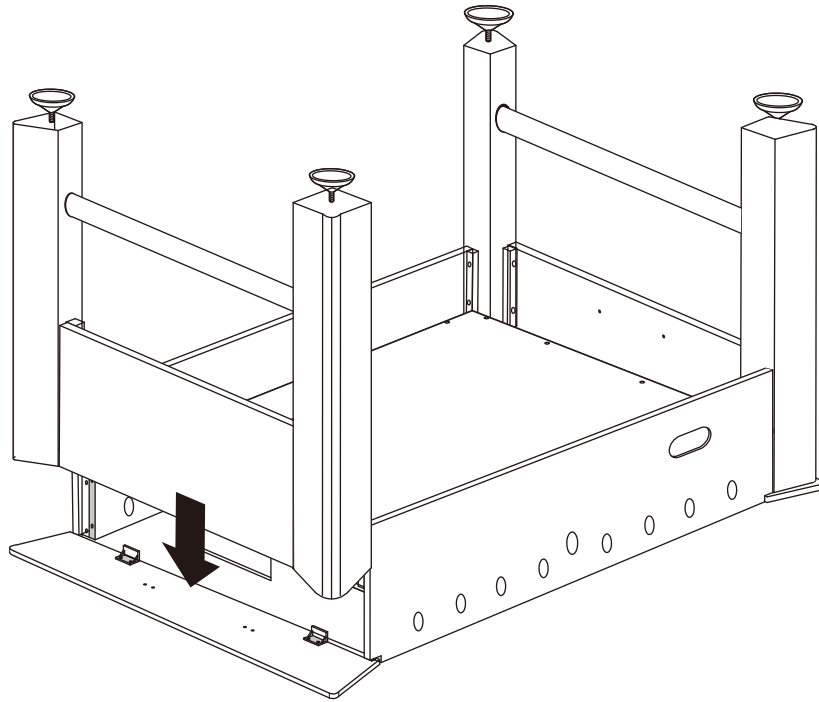
**PARTS REQUIRED:**

- |                                   |                                  |
|-----------------------------------|----------------------------------|
| 8 pcs - <b>H1</b> Allen Head Bolt | 8 pcs - <b>H4</b> Phillips Round |
| 8 pcs - <b>H2</b> Flat Washer     | Head Screw                       |
| 8 pcs - <b>H3</b> Lock Washer     | 1 pc - <b>T1</b> Allen Wrench    |

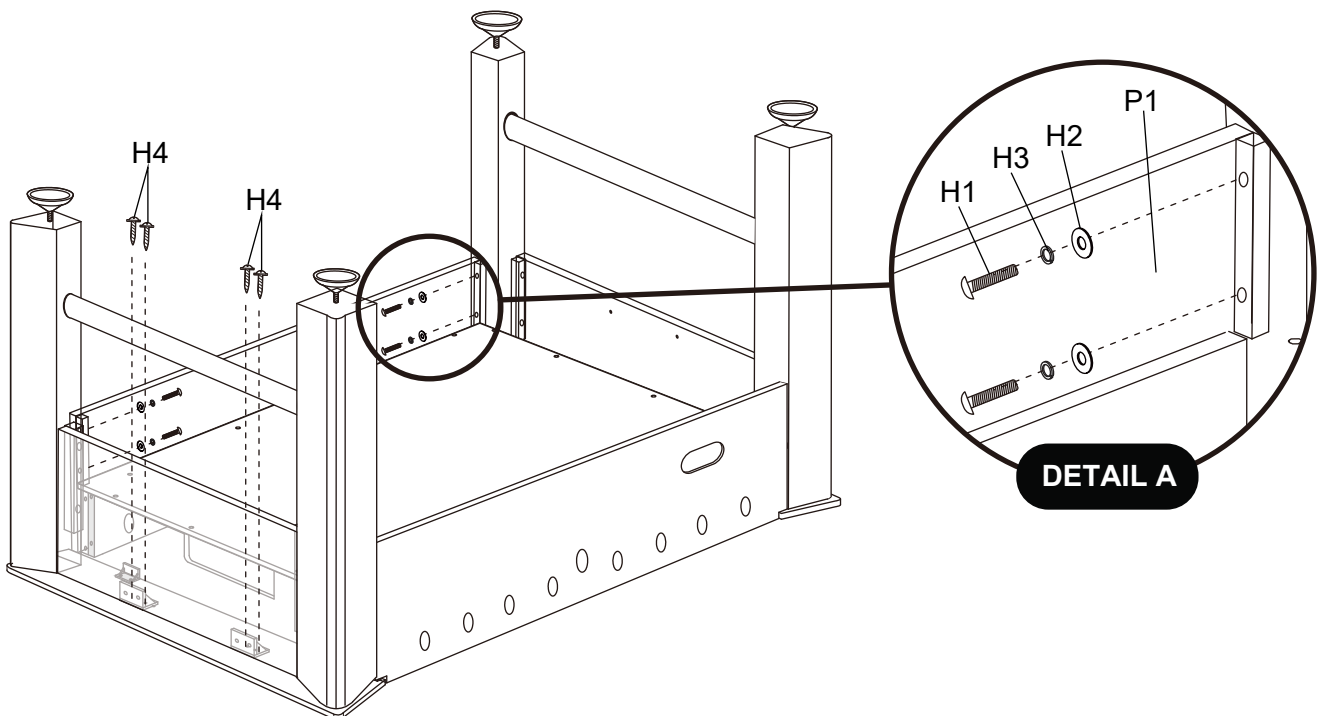
**STEP 8:**

Attach legs from assembly **STEP 7** to table cabinet side aprons using **H1** Bolts, **H3** Lock Washers and **H2** Washers as shown in **FIGURE 8** and **DETAIL A**. Use **T1** Allen Wrench to tighten **H1** Bolts and tighten **H1** Bolts from **STEP 7**.

Next, secure assembly using **H4** Phillips Round Head Screws as shown in **FIGURE 8**. Tighten, but do not strip out **H4** Screws.



**FIGURE 8**



**DETAIL A**



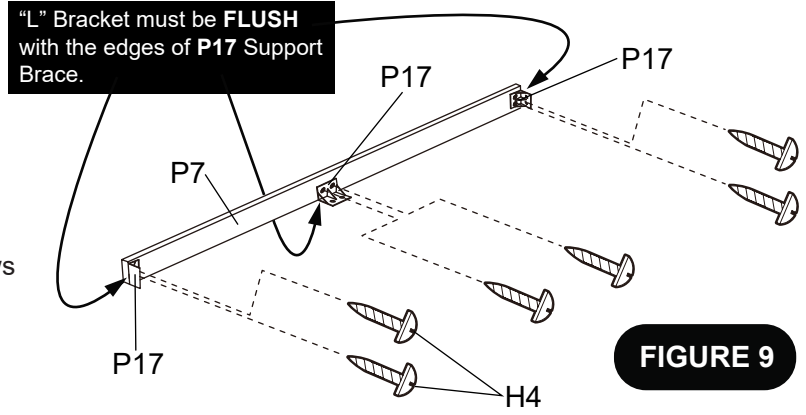
**PARTS REQUIRED:**

- 12 pcs - H4 Phillips Round Head Screw
- 2 pcs - P7 Playfield Support Brace
- 6 pcs - P17 "L" Bracket

**STEP 9:**

Attach P17 "L" Brackets to P7 Playfield Support Braces using pre-drilled pilot holes with H4 Screws as shown in **FIGURE 9**.

**Tighten, but do not strip out H4 Screws.**



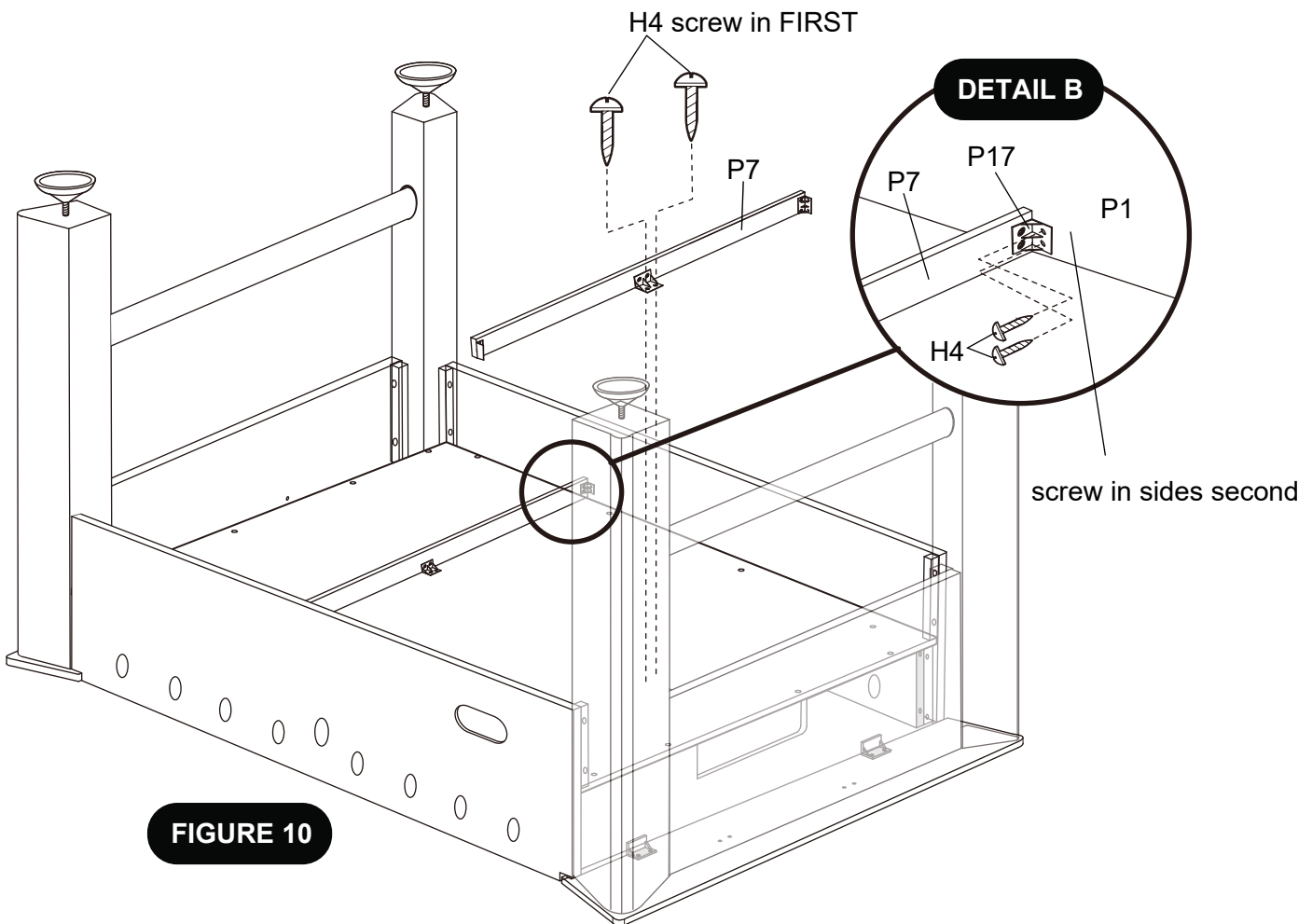
**FIGURE 9**

**PARTS REQUIRED:**

- 12 pcs - H4 Phillips Round Head Screw

**STEP 10:**

Attach P7 Playfield Support Braces assembly to table cabinet playfield and side aprons using pilot holes in side aprons with H4 Screws as shown in **FIGURE 10** and **DETAIL B**. **Tighten, but do not strip out H4 Screws.**



**FIGURE 10**

**PARTS REQUIRED:**

- 12 pcs - **H4** Phillips Round Head Screw
- 2 pcs - **P10** Goal Box
- 2 pcs - **P11** Ball Catcher
- 2 pcs - **P27** Ball Return Tube

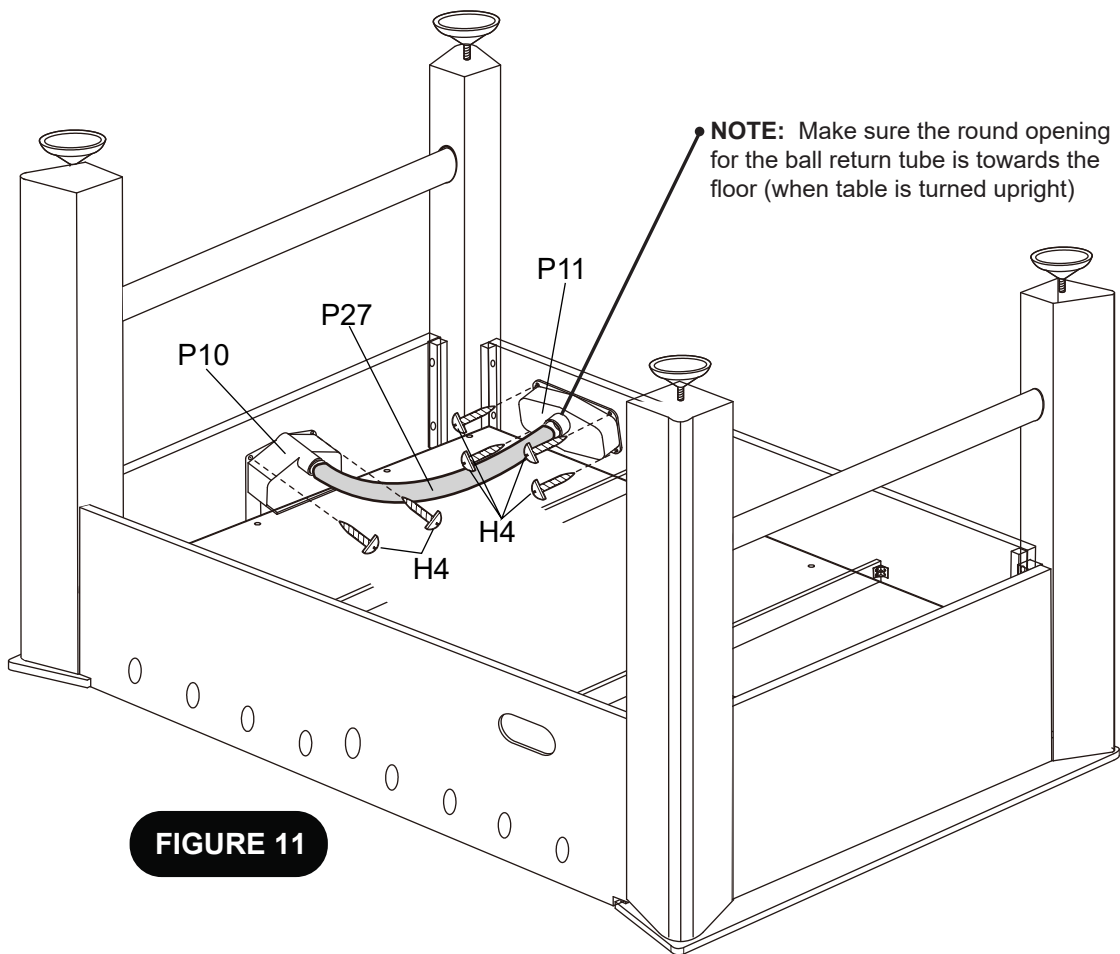
**STEP 11:**

Center **P10** Goal Box over the opening in the end panel and attach using pilot holes with **H4** Screws as shown in **FIGURE 11**.

Center **P11** Ball Catcher over the opening in the side panel and attach using pilot holes with **H4** Screws as shown in **FIGURE 11**.

Make sure the round opening for **P27** Ball Return Tube is towards the floor (when table is turned upright). Repeat for both ends of the table.

Attach **P27** Ball Return Tubes between **P10** Goal Box and **P11** Ball Catcher as shown in **FIGURE 11**.



**CAUTION:**  
THIS STEP REQUIRES FOUR OR MORE ADULTS.  
VERY CAREFULLY TURN THE TABLE OVER AND SET IT ON ITS LEGS. BE CAREFUL. THE TABLE IS VERY HEAVY.

**PARTS REQUIRED:**

- 10 pcs - H7 Phillips Flat Head Screw
- 2 pcs - P15 Entry Cup Inside
- 2 pcs - P16 Entry Cup Outside

**STEP 12:**

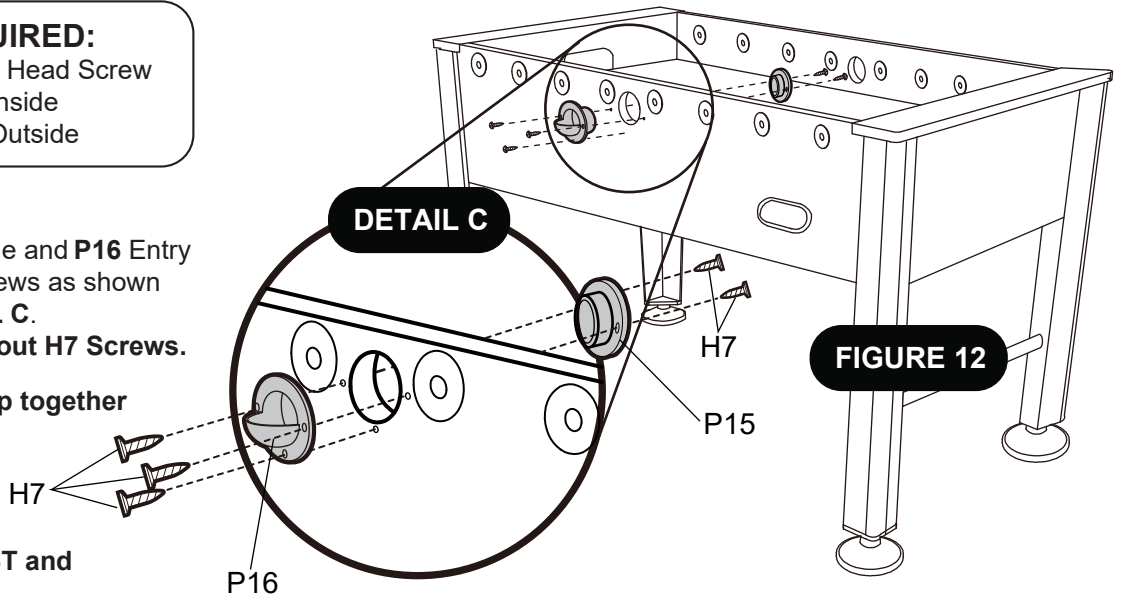
Attach **P15** Entry Cup Inside and **P16** Entry Cup Outside using **H7** Screws as shown in **FIGURE 12** and **DETAIL C**.

Tighten, but do not strip out H7 Screws.

**Note:** P15 + P16 must slip together during attachment.

Install both parts and hold together with your hand.

Screw inside screws **FIRST** and outside screws **second**.



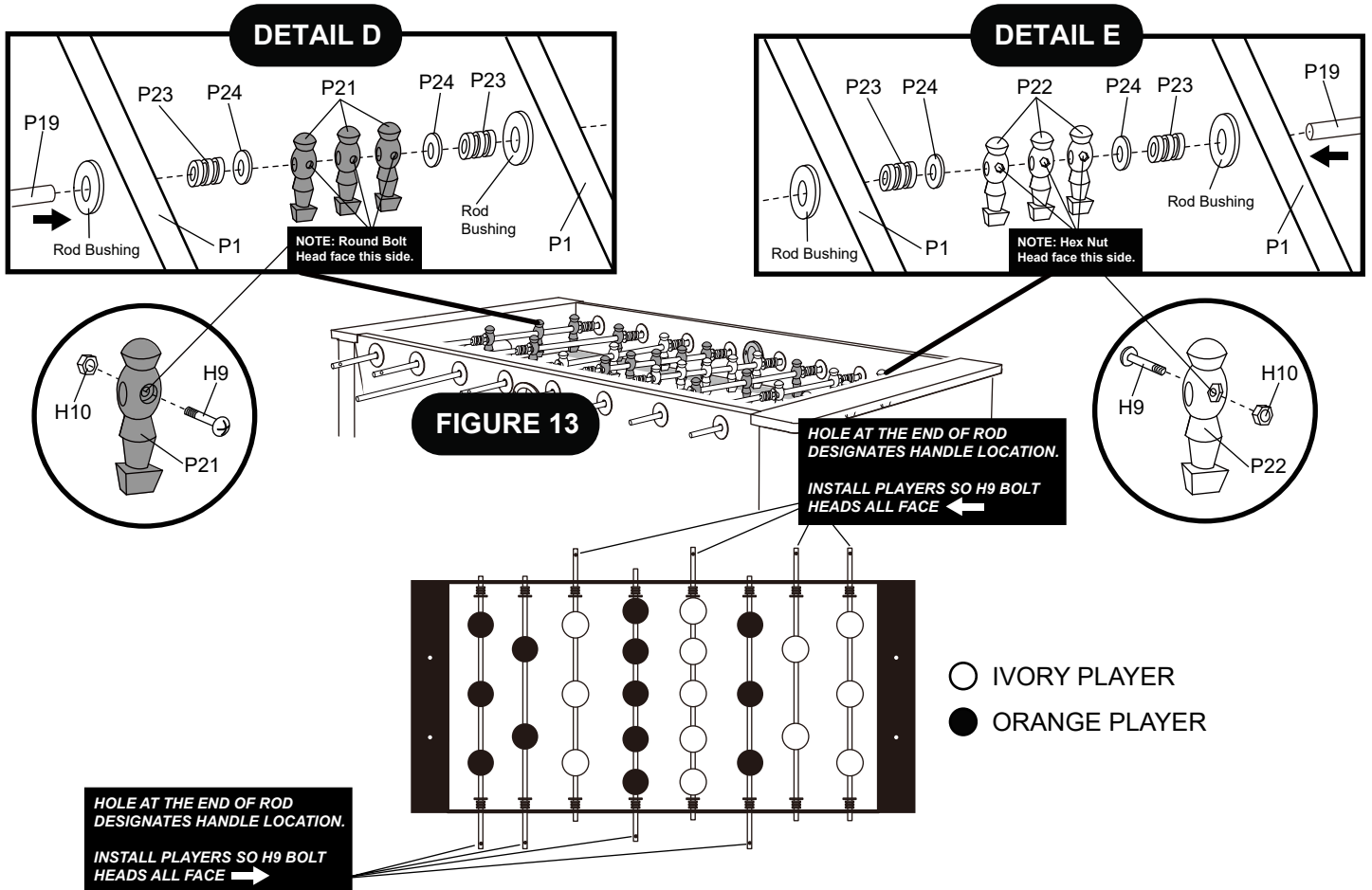
**PARTS REQUIRED:**

- |                                      |                            |                           |
|--------------------------------------|----------------------------|---------------------------|
| 26 pcs - H9 Phillips Round Head Bolt | 4 pcs - P19 3-Player Rod   | 13 pcs - P22 Ivory Player |
| 26 pcs - H10 Lock Nut                | 2 pcs - P20 5-Player Rod   | 16 pcs - P23 Rod Bumper   |
| 2 pcs - P18 2-Player Rod             | 13 pcs - P21 Orange Player | 16 pcs - P24 Rod Washer   |

**STEP 13:**

Slide **P18** 2-Player Rods, **P19** 3-Player Rod and **P20** 5-Player Rod through Rod Bushings of one **P1** Side Apron, **P23** Rod Bumper, **P24** Rod Washer, **P21** Orange Players or **P22** Ivory Players, **P24** Rod Washer, **P23** Rod Bumper and other side of **P1** Side Apron as shown in **FIGURE 13**, **DETAIL D** and **DETAIL E**.

**NOTE:** Please note the location of the hole that is near one end of each rod. This is the handle end of the rod. Secure **P21** Orange Players and **P22** Ivory Players onto each rods using **H9** Bolts and **H10** Lock Nuts as shown.



**PARTS REQUIRED:**

- 4 pcs - H8 Phillips Flat Head Screw
- 8 pcs - H11 Phillips Round Head Bolt
- 2 pcs - P12 Bead Scorer Orange
- 2 pcs - P13 Bead Scorer Ivory
- 8 pcs - P25 Rod End Cap
- 8 pcs - P26 Rod Handle

**STEP 14:**

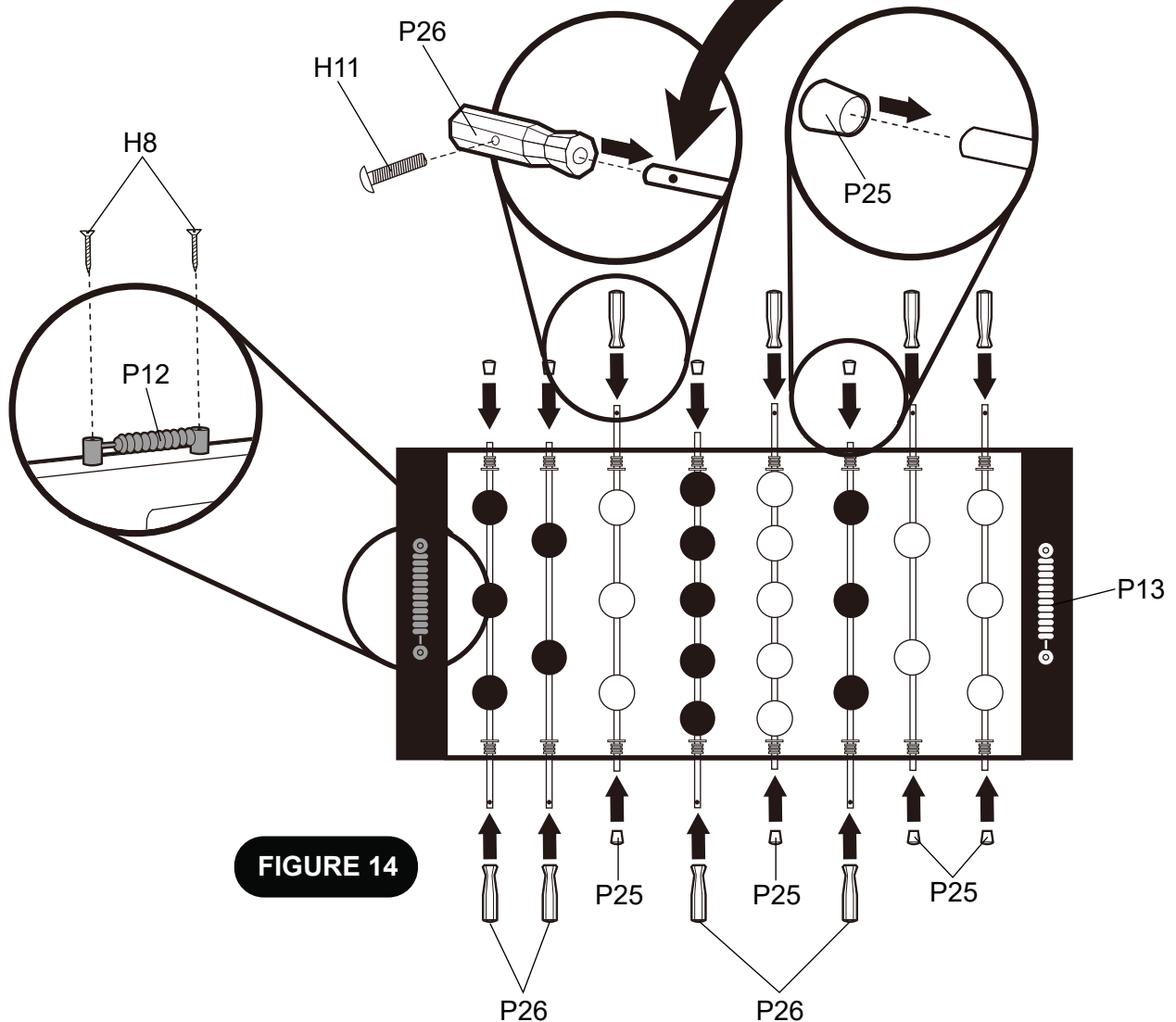
Attach P12 Bead Scorer Orange and P13 Bead Scorer Ivory using H8 Screws as shown in FIGURE 14.

Attach P25 Rod End Caps to the rods as shown in FIGURE 14.

Attach P26 Rod Handles using H11 Bolts to the rods as shown in FIGURE 14

**Note: All P26 Wooden Rod Handles have a thumb slot. Attach handles with thumb slot up and with players in the upright and vertical position.**

**NOTE:** Handle grip should be placed on rod end **WITH THE HOLE**



**Congratulations! You have now assembled your soccer table. Please note the Care and Use instructions below to insure many years of trouble free use of your soccer table.**

## **CARE AND USE OF YOUR REALTREE SOCCER TABLE**

1. **Apply a few drops of lubricant (not provided) to the rods and the bushings. Rotate rods to make sure you spread lubricant evenly.**
2. Use spray furniture polish to clean all exterior surfaces of your soccer table.
3. Use a carpenters level to properly level table using the leg levelers.
4. This product is intended for **INDOOR** use only.
5. **DO NOT** sit, climb or lean on the table.
6. **DO NOT** drag the table when moving it. This will damage the legs.
7. **DO NOT** set drinks on the table.

## **PRODUCT PARTS LIST FOR MODEL # 45-6076**

<b>Key #</b>	<b>Part #</b>	<b>Description</b>	<b>Qty.</b>
H1	45-6076WJH1	1/4" X 1-3/4" Allen Head Bolt	16
H2	45-6076WJH2	1/4" X 15 mm Flat Washer	16
H3	45-6076WJH3	1/4" Lock Washer	16
H4	45-6076WJH4	4 mm x 1/2" Phillips Round Head Screw	76
H5	45-6076WJH5	3.5 mm x 1-1/2" Phillips Flat Head Screw	8
H6	45-6076WJH6	3.5 mm x 1-1/4" Phillips Washer Head Screw	18
H7	45-6076WJH7	4 mm x 1/2" Phillips Flat Head Screw	10
H8	45-6076WJH8	4 mm x 1-3/4" Phillips Flat Head Screw	4
H9	45-6076WJH9	4 mm x 1-1/8" Phillips Round Head Bolt	26
H10	45-6076WJH10	4 mm Lock Nut	26
H11	45-6076WJH11	3/16" x 5/8" Phillips Round Head Bolt	8
T1	45-6076WJT1	Allen Wrench	1
P1	45-6076WJP1	Side Apron	2
P2	45-6076WJP2	End Apron	2
P3	45-6076WJP3	Cross Bar	2
P4	45-6076WJP4	Playfield	1
P5	45-6076WJP5	End Top Panel	2
P6	45-6076WJP6	Goal End Board	2
P7	45-6076WJP7	Playfield Support Brace	2
P8	45-6076WJP8	Left Leg	2
P9	45-6076WJP9	Right Leg	2
P10	45-6076WJP10	Goal Box	2
P11	45-6076WJP11	Ball Catcher	2
P12	45-6076WJP12	Bead Scorer Orange	1
P13	45-6076WJP13	Bead Scorer Ivory	1
P14	45-6076WJP14	Leg Leveler	4
P15	45-6076WJP15	Entry Cup Inside	2
P16	45-6076WJP16	Entry Cup Outside	2
P17	45-6076WJP17	"L" Bracket	16
P18	45-6076WJP18	2-Player Rod	2
P19	45-6076WJP19	3-Player Rod	4
P20	45-6076WJP20	5-Player Rod	2
P21	45-6076WJP21	Orange Player	13
P22	45-6076WJP22	Ivory Player	13
P23	45-6076WJP23	Rod Bumper	16
P24	45-6076WJP24	Rob Washer	16
P25	45-6076WJP25	Rod End Cap	8
P26	45-6076WJP26	Rod Handle	8
P27	45-6076WJP27	Ball Return Tube	2
K1	45-6076WJK1	Hardware Kit	1
M1	45-6076WJM1	Owner's Manual	1

## 90 DAY LIMITED WARRANTY

This consumer warranty extends to the original consumer purchase of any ESCALADESPORTS Product (hereinafter referred as the "Product").

**WARRANTY DURATION:** This Product is warranted to the original consumer purchase of a period of 90 days from the original purchase.

**WARRANTY COVERAGE:** ESCALADE SPORTS warrants to the original Consumer Purchaser that any Product of its manufacture is free from defects in material and workmanship when used for the intended purpose under normal use and conditions. THIS WARRANTY IS VOID IF THE PRODUCT HAS BEEN DAMAGED BY ACCIDENT, UNREASONABLE USE, NEGLIGENCE, IMPROPER SERVICE, FAILURE TO FOLLOW INSTRUCTIONS PROVIDED WITH THE PRODUCT OR OTHER CAUSES NOT ARISING OUT OF DEFECTS IN MATERIAL AND WORKMANSHIP.

**WARRANTY PERFORMANCE:** During the above 90 day warranty period, ESCALADESPORTS shall repair or replace with a comparable model, and Product, or component thereof, which may prove defective under normal use and proper care, and which our examination shall disclose to our satisfaction to be thus defective, please contact our Warranty Dept.

1-888-996-2729 / Warranty Dept.

Or Write us at:

Escalade® Sports, Inc. - P.O. Box 889, Evansville, IN 47706

Attn: Warranty Dept.

Or E-mail us at:

[gamerom@escaladesports.com](mailto:gamerom@escaladesports.com)

Other than shipping requirements no charge will be made for such repair or replacement of in-warranty Products. ESCALADE SPORTS strongly recommends that the Product is insured for value prior to mailing.

**WARRANTY DISCLAIMERS:** ANY IMPLIED WARRANTIES ARISING OUT OF THIS SALE, INCLUDING BUT NOT LIMITED TO THE IMPLIED WARRANTIES OF MERCHANTABILITY AND FITNESS FOR A PARTICULAR PURPOSE, ARE LIMITED IN DURATION TO THE ABOVE 90 DAY PERIOD. ESCALADE SPORTS SHALL NOT BE LIABLE FOR LOSS OF USE OF THE PRODUCT OR OTHER CONSEQUENTIAL OR INCIDENTAL COSTS, EXPENSES OR DAMAGES INCURRED BY THE CONSUMER OF ANY OTHER USE.

Some states do not allow the exclusion or limitation of implied warranties or consequential or incidental damages, so the above limitations or exclusions may not apply to you.

**LEGAL REMEDIES:** This warranty gives you specific legal rights and you may also have other rights which may vary from state to state.