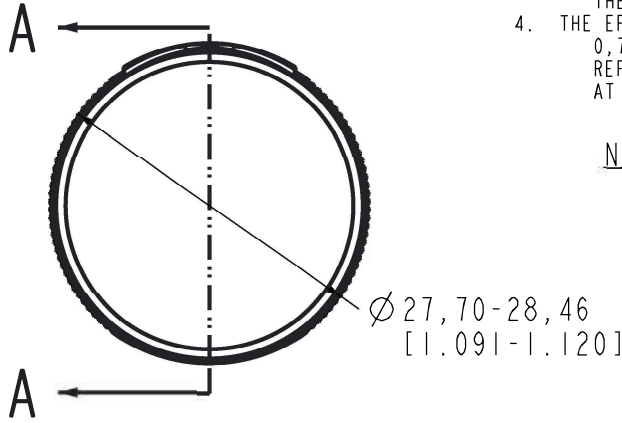


THE BOTTLE NECK DIMENSIONS SHOWN ARE BASED UPON CURRENT KNOWLEDGE. IT IS THE RESPONSIBILITY OF THE RECEIVER OF THE INFORMATION CONTAINED IN THIS DRAWING TO TEST FOR FIT AND FUNCTION OF THE TOTAL PACKAGE. DIMENSIONS SHOWN ARE INTENDED FOR POLYETHYLENE BOTTLES ONLY. IF ANOTHER BOTTLE MATERIAL IS USED, SOME DIMENSIONS AND TOLERANCES MAY REQUIRE ADJUSTMENT.

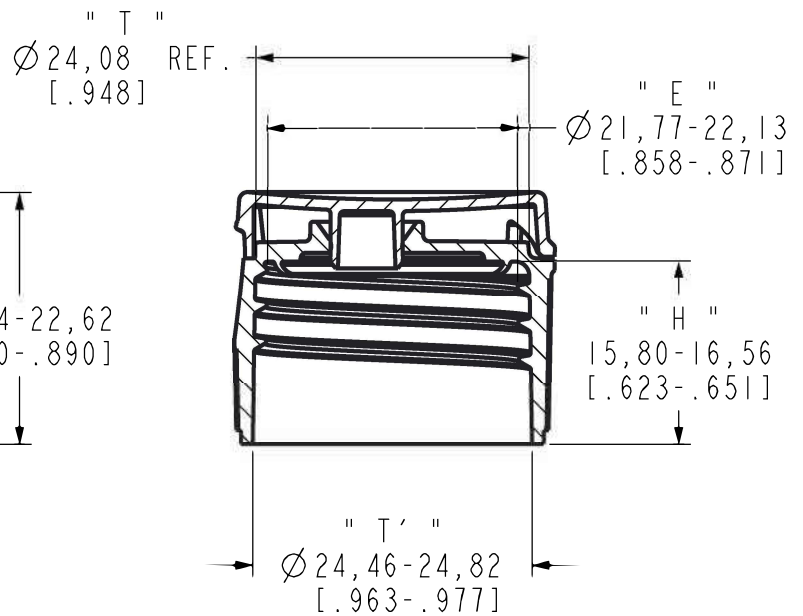
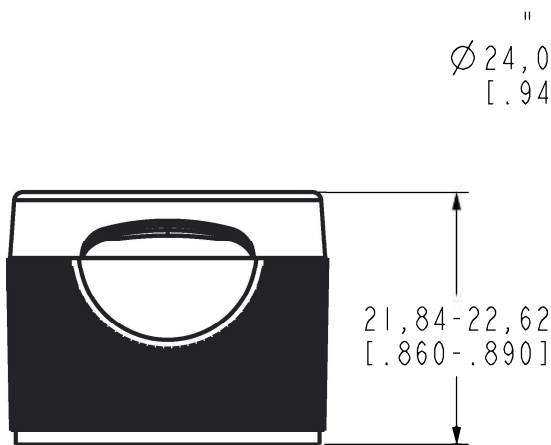
NOTES:

1. THE "T'" AND "E" DIMENSIONS ARE THE AVERAGE OF TWO MEASUREMENTS TAKEN APPROXIMATELY 90° APART.
2. THE "T'" DIAMETER IS TAKEN AT THE BASE OF THE CLOSURE BELOW THE THREAD.
3. THE "E" DIAMETER IS TAKEN AS CLOSE TO THE INSIDE OF THE DECK AS POSSIBLE.
4. THE EFFECTIVE "H" DIMENSION CAN BE ESTIMATED BY SUBTRACTING 0,71 [.028] FROM THE SPECIFIED "H" DIMENSION. THIS REFLECTS THE ESTIMATED COMPRESSION OF THE SEALING MECHANISM AT NOMINAL APPLICATION TORQUE.



NOMINAL ORIFICE SIZE AVAILABLE

○	3,18 [.125]
○	4,75 [.187]
○	6,35 [.250]



SECTION A-A

REV.	REVISION DESCRIPTION	PROD. ENG.	REV. DATE
A	REMOVED PROTOTYPE ONLY NOTE	K. SMITH	15-JAN-19



ULTRA Snap Top, 24-410 Thread,
Crab Claw Seal and Ribbed with Frost Finish

DWG. BY: K. SMITH

DATE: 19-JUL-18

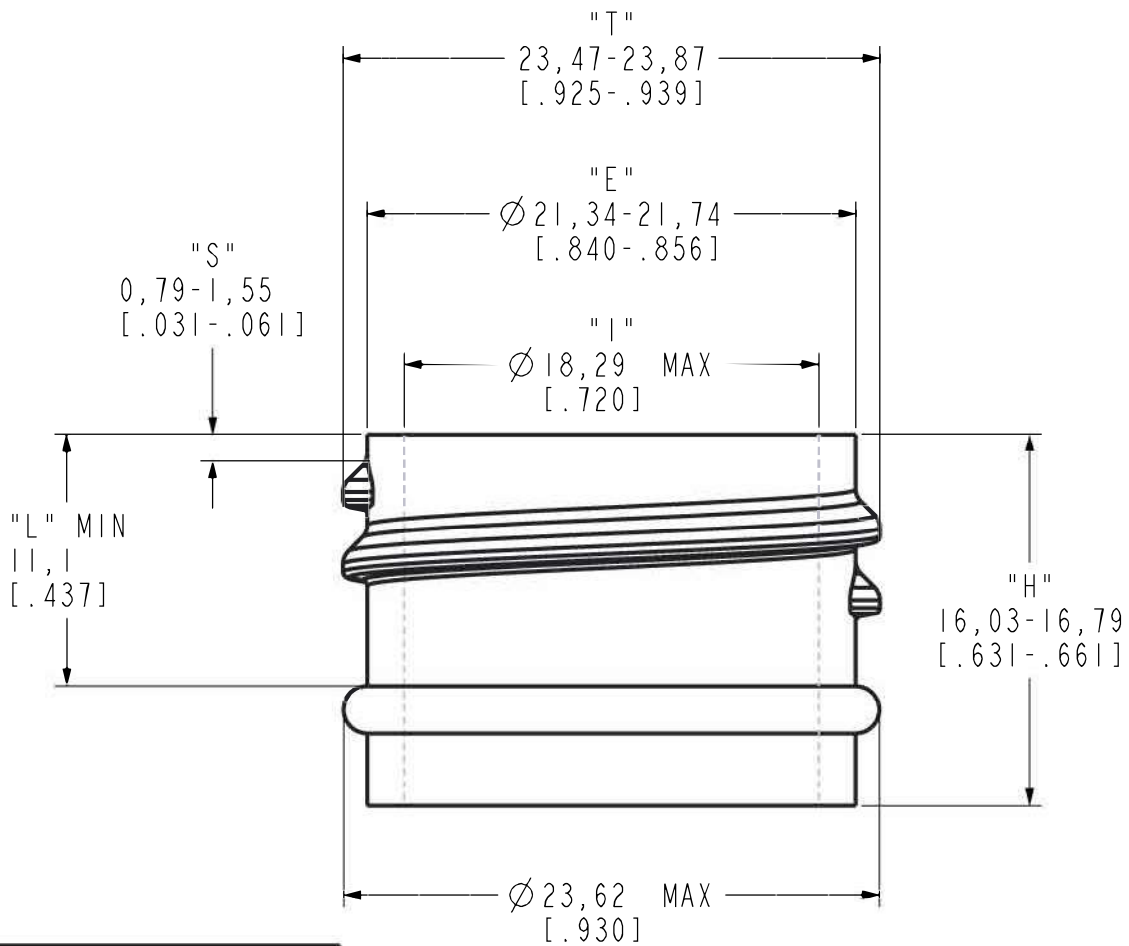
CONFIRM CURRENT REVISION PRIOR TO USE

SHEET 1 OF 2

CUSTOMER SPECIFICATION DRAWING

SKU: CL3110-MD

THE BOTTLE NECK DIMENSIONS SHOWN ARE BASED UPON CURRENT KNOWLEDGE. IT IS THE RESPONSIBILITY OF THE RECEIVER OF THE INFORMATION CONTAINED IN THIS DRAWING TO TEST FOR FIT AND FUNCTION OF THE TOTAL PACKAGE. DIMENSIONS SHOWN ARE INTENDED FOR POLYETHYLENE BOTTLES ONLY. IF ANOTHER BOTTLE MATERIAL IS USED, SOME DIMENSIONS AND TOLERANCES MAY REQUIRE ADJUSTMENT.



RECOMMENDED NECK FINISH
 LAND MUST BE SMOOTH AND FREE
 OF GOUGES AND RAGGED EDGES
 8 T.P.I. "M" STYLE THREAD
 USE OF BEAD IS OPTIONAL

REV.	REVISION DESCRIPTION	PROD. ENG.	REV. DATE
A	SEE SHEET 1 FOR REVISION DESCRIPTION	K. SMITH	15-JAN-19



ULTRA Snap Top, 24-410 Thread,
 Crab Claw Seal and Ribbed with Frost Finish

DWG. BY: K. SMITH

DATE: 19-JUL-18

CONFIRM CURRENT REVISION PRIOR TO USE

SHEET 2 OF 2

CUSTOMER SPECIFICATION DRAWING | SKU: CL3110-MD