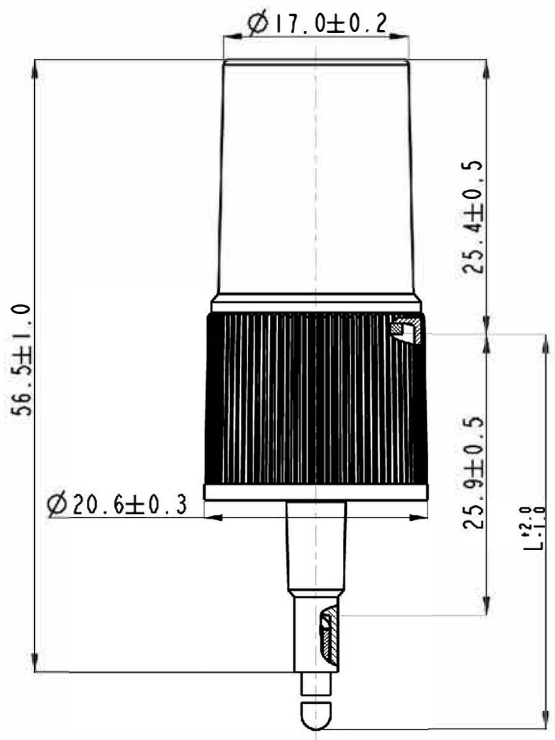
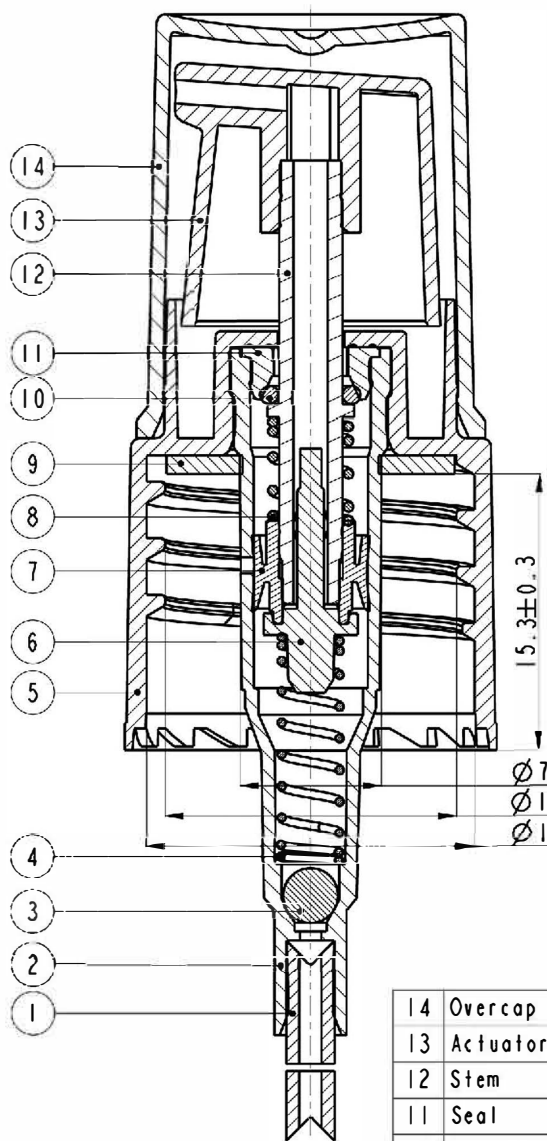


K

MARK	REVISER	DESCRIPTION	DATE



Scale 1.500

Section A-A

No.	Component	Material	Specification	Part No.	QTY	Remark
14	Overcap	PP	Color for order form	SLM606-07PI	1	
13	Actuator	PP	Color for order form	SLM801-08CI	1	
12	Stem	POM	Natural	SLM606-04CI	1	
11	Seal	LDPE	Natural	SLM606-22AI	1	
10	Washer	NBR	∅1.0*∅4.5	SLM606-99AI	1	
9	Gasket	PE	∅15.9*1.0 thickness	SLM606-98LI	1	
8	Short Spring	304H	∅0.53*7.2L*5.5 circle	SLM606-96AI	1	
7	Piston	LDPE	Natural	SLM606-03AI	1	
6	Cone	POM	Natural	SLM606-17AI	1	
5	Closure	PP	Color for order form	SLM606-05JI	1	
4	Long Spring	304H	∅0.45*17.0L*13 circle	SLM606-96BI	1	
3	Glass Ball	GLASS	∅3.0	SLM606-97AI	1	
2	Housing	PP	White W030	SLM606-01BI	1	
1	Dip Tube	LDPE	∅2.65*0.7 thickness	SLM606-95BI	1	

TOLERANCE	∅	○
0mm-15mm	±0.05	±0.10
15mm-30mm	±0.05	±0.15
30mm-50mm	±0.10	±0.20
50mm-99mm	±0.15	±0.30
ABOVE 99mm	±0.20	±0.40
CENTER	±0.10	±0.50
ANGLER	±0.25°	±0.50°

APPROVED: _____
 CENSOR: _____
 CHECKED: _____
 DRAFTER: 熊奇斌 2011/02/22

UNIT: mm

MODEL NAME: TP1885-MD

SCALE: 5:2

PART NO. ALM80103

CITADEL PACKAGING
 CitadelPackaging.com · 208-550-3393

TITLE: 18/415

VISUAL ANGLE: Q'TY: 1/1

REV: A0

FILE NO. D-LM0896