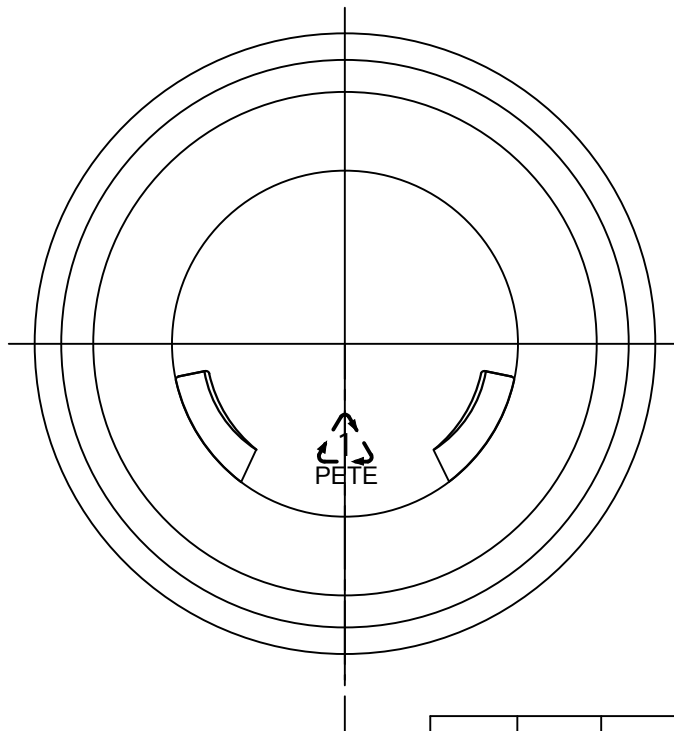



place dot on thread  
not shown on back side  
of drawing



Part Number	PJ6750-MD
-------------	-----------

Finish	89/400
--------	--------

Nom. Capacity		Drawn	Date	2020-01-16	Drawing Name	12ozPET	Scale
O.F. Capacity	410±11ml	Checked	Date		Material	PET	1 : 1
Weight	37.1±1g	Approved	Date		 <small>CitadelPackaging.com - 208-550-3383</small>		
			Date				