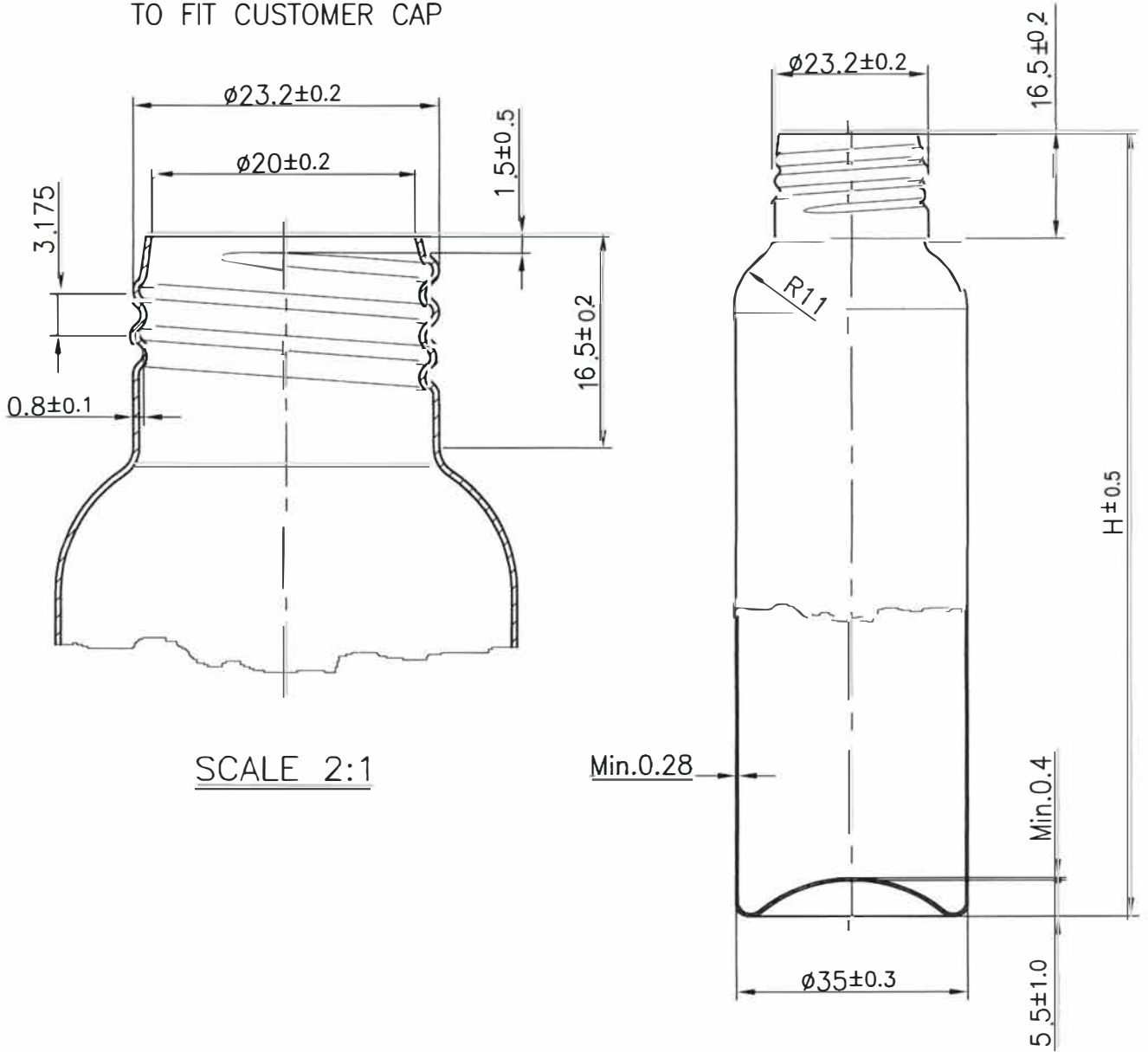



THREAD – RIGHT HAND
 2 1/2 COMPLETE TURNS,
 TO FIT CUSTOMER CAP



SCALE 2:1

—	FIRST ISSUE	21-010	—	—
ITEM	REVISION	DRCN No.	CHK.	APP.

TITLE						2.7 oz Silver 24-410 Brushed Aluminum Cosmo Round Bottle (ALUMINIUM ALLOY)					
MATERIAL		DATE	NAME	SCALE	DRAWING No.		Sht. No.				
AlMn		9/6/21	Suwat	1:1	MB1010-JD		1 of 1				
CHK.		9/6/21	<i>[Signature]</i>	APP.	9/6/21	<i>[Signature]</i>	 CitadelPackaging.com · 208-550-3393				
APP.		9/6/21	<i>[Signature]</i>								