



REFRIGERATION

SERVING THE FOOD INDUSTRY SINCE 1951

23 CU.FT. REACH IN REFRIGERATOR WITH 1 DOOR

Item: 50024 | Model: RE-CN-0021-HC



*High Performance and Quality
Commercial Reach In Freezer*



WARRANTY
2 YEARS PARTS & LABOR
5 YEARS ONLY ON COMPRESSOR



NEMA
5 - 15R
125 VAC / 15 AMP
RECEPTACLE



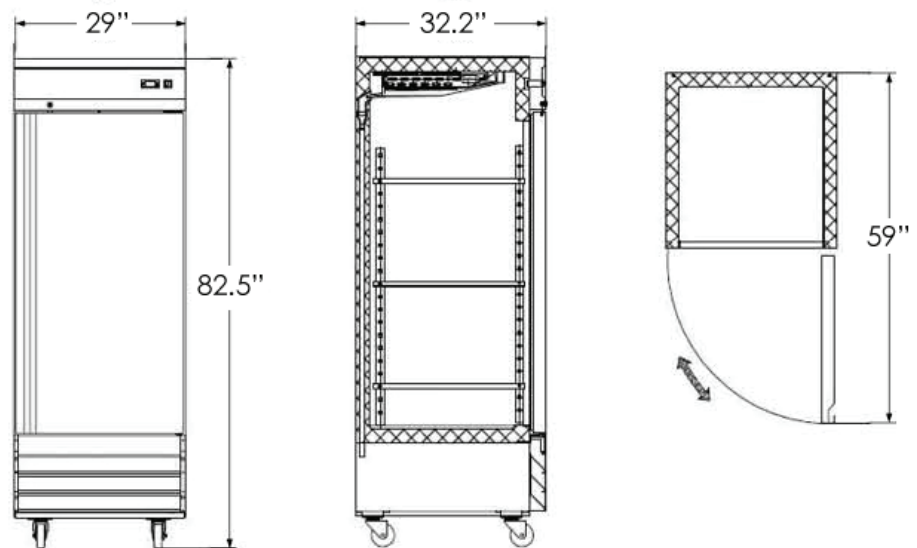
Authorized Dealer



TECHNICAL SPECIFICATIONS

ITEM NUMBER	50024
MODEL	RE-CN-0021-HC
DESCRIPTION	23 cu. ft Refrigerator
TEMPERATURE RANGE	33°F - 41°F / 0.5°C - 5°C
MAX AMBIENT TEMP RATING	90°F / 32°C
HORSEPOWER	1/5 HP
ELECTRICAL	110V / 60Hz / 1Ph
AMPS	2.6
REFRIGERANT	R290
ISOLATION MATERIAL	Cyclopentane
COOLING SYSTEM	Ventilated
NUMBER OF DOORS	1
NUMBER OF SHELVES	3
SHELF CAPACITY (KG / PC)	27 kg. / 59.5 lbs.
EXTERIOR DIMENSIONS (WDH)	29" x 32.25" x 82.5" / 736 x 818 x 2095 mm
INTERIOR DIMENSIONS (WDH)	24.4" x 27" x 60.2" / 620 x 688 x 1530 mm
PACKAGING DIMENSIONS	30 3/8" x 35" x 83 4/8" / 770 x 890 x 2120 mm
NET VOLUME	23 cu. ft. / 650 L
WEIGHT	128 kg. / 282 lbs.
PACKAGING WEIGHT	153 kg. / 337 lbs.

TECHNICAL DRAWINGS AND DIMENSIONS



OMCAN INC.

Telephone: 1-800-465-0234
 Fax: (905) 607-0234
 E-mail: sales@omcan.com
 Website: www.omcan.com



Follow us to keep up to date with the latest news and offers

