

FETCO®

ITEM NUMBER: _____

MODEL TPD-15
Series TPD

NATURAL EVOLUTION



The **LUXUS® Thermal Dispenser** Brewing directly into our LUXUS® Thermal Dispenser ensures a continuous flow of hot, aromatic, great tasting coffee. LUXUS® Thermal Dispensers are totally portable and require no electric power to maintain serving temperature. LUXUS® Thermal Dispensers remove the hazards of utilizing glass-lined products without loss of performance, while adding the durability of stainless steel.

It Started in 1987.....

We pioneered the **LUXUS® THERMAL DISPENSER**, dreaming that one day it would become the standard for dispensing coffee that always tastes "just brewed". Fifteen years and hundreds of thousands of dispensers later our vision is the mark of serving the freshest tasting coffee.

Now for those who are driven and passionate about providing the best coffee, we present our newest model of

LUXUS® THERMAL DISPENSERS with these patented innovations:

Thermally Insulated

All Stainless Construction

Twist & Remove Lid

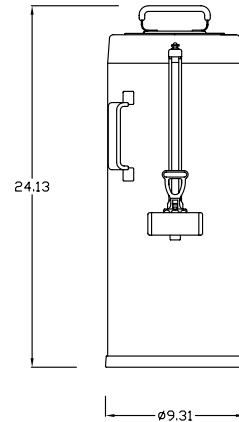
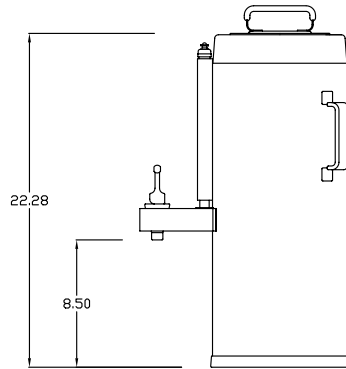
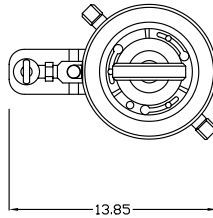
Sight Gauge

Consultant & Contractor Approvals:

FETCO®
600 Rose Road
Lake Zurich, IL 60047-0429
USA

Phone: (847) 719-3000
Toll Free: (800) FETCO-99
FAX: (847) 719-3001
sales@fetco.com
http://www.fetco.com

MODEL TPD-15 LUXUS® THERMAL DISPENSERS



TPD-15

ITEM / CAPACITY
D009 / 1.5 Gallon

SHIPMENT DIMENSIONS / WEIGHT
W10 D14 H26 / 15lbs

ACCESSORIES

A015 Round Drip Tray

A029 1.5 Gallon Maritime Brewer & Server Ring For TPD-15 (MSR-15)

A069 Identifier Plate, Acrylic

WRAPS

017 Plain Black (TPD-15)

OPTIONS

Z044 Wrap Application

FETCO®
600 Rose Road
Lake Zurich, IL 60047-0429 USA
Phone: (847) 719-3000 Toll Free: (800) FETCO-99
FAX: (847) 719-3001
sales@fetco.com <http://www.fetco.com>

FETCO, LUXUS, Extractor, Pulse-Brew, Driven To Pioneer Innovation and product dress are all trademarks or registered trademarks of Food Equipment Technologies Company

Printed in USA 2006