

GRINDER SERIES

GR Series

GR 1.2 | GR 1.3

Single Hopper



The **GR 1** single hopper coffee grinder is portion controlled so you grind only the amount you need. Grind a small, medium or large batch with the touch of a button. The GR 1's powerful .74 Hp motor and precision slice grinding discs help deliver uniform grind profiles. Grind directly into the brew basket to make grinding and brewing coffee quick and easy.

Grinder shown is GR 1.3. Model GR 1.2 also available.



Control Panel is programmable and serviceable from the front.



Hopper has a generous 15-pound capacity, which means less time filling it.



Grinder Platform holds all FETCO® EXTRACTOR® and 5000 series brew baskets. Grind directly into filter paper for larger models.

Electrical Configuration

Configuration Code	Voltage	Motor Power	Phase	Wires	KW	Max Amp Draw	Hopper Capacity Pounds [Kilos]	Grind Medium Ounces[Grams]/Minute
DOMESTIC & CANADA								
G01012	120	0.74Hp	1	2+G	0.5	5.7	1x15 [6.8]	18 [510]
G01013	120	0.74Hp	1	2+G	0.5	5.7	1x15 [6.8]	18 [510]
EXPORT								
G01022	200-240	0.74Hp	1	2+G	0.7-0.8	5.7-6.3	1x15 [6.8]	18 [510]
G01023	200-240	0.74Hp	1	2+G	0.7-0.8	5.7-6.3	1x15 [6.8]	18 [510]

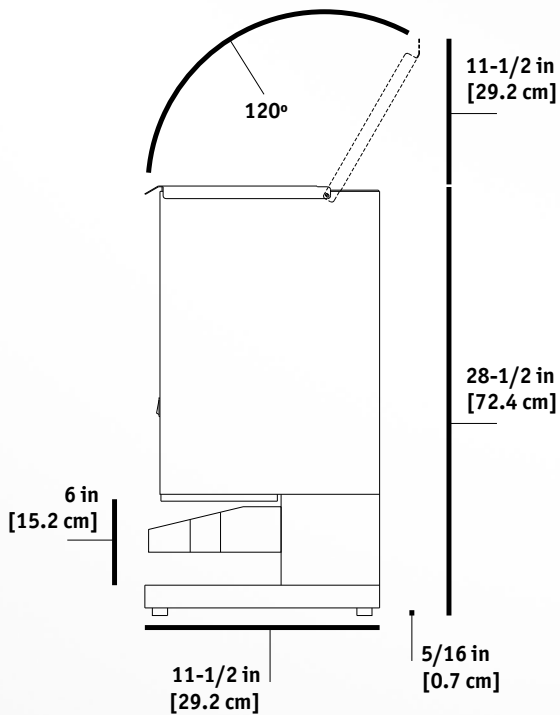
Important

Brew basket sold separately.

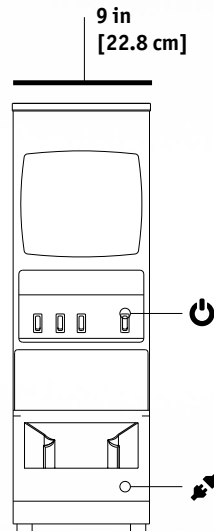
Measurements

Height 28½ in [72.4 cm]	Width 9 in [22.8 cm]	Depth 11½ in [29.2 cm]	Empty Weight 50 lbs [22.6 kg]	Shipping Weight 72 lbs [32.6 kg]
----------------------------	-------------------------	---------------------------	----------------------------------	-------------------------------------

SIDE VIEW



BACK VIEW



SYMBOLS

- Electrical Connector
- On / Off Switch

FETCO® is an active member of



Information

fetco.com

847.719.3000
180.338.2699 USA
 847.719.3001

Food Equipment Technologies Co.
600 Rose Road
Lake Zurich, IL 60047
USA