

HOT WATER DISPENSER

HWD 2100 Series

HWD 2102



Whether you need a front of house self serve solution to prepare coffee, tea, oatmeal, and instant beverages, or back of house solutions that rely on hot water, the **HWD-2102** is the answer. The newly-designed hot water dispenser meets FETCO's exacting standards of innovation, reliability, durability and quality. It delivers form, function and flexibility like no other on the market today.



3 LED Indicator Lights visually communicate when the unit is on, ready to dispense or in the heating cycle so you don't have to guess.



Touch Button Technology
Touch the button once to safely unlock the dispenser, twice to precisely dispense hot water.



Soft silicone tap is designed to protect glass and ceramic serveware against damage.



Convenient float indicator is built into drip tray to help simplify maintenance and cleaning.

Water Specification

Water Inlet 1/4 inch male flare fitting	Minimum Flow Rate 1 1/2 gpm [5.7 lpm]	Water Pressure 20-75 psig [276-517 kPa]
--	--	--

Electrical Configuration

Configuration Code	Heater Configuration	Voltage	Phase	Wires	KW	Electrical Connection	Max Amp Draw	Gallon[Liter]/Hour
DOMESTIC & CANADA								
H210210	1 x 1.4kW	100-120	1	2+G	1.5	NEMA 5-15P	12.5	3.6 [13.6] ⁽²⁾
H210220	1 x 2.1 kW	100-120	1	2+G	2.2	NEMA 5-20P	18.3	5.4 [20.4] ⁽²⁾
H210230	1 x 3.2 kW	200-240	1	2+G	3.3	NEMA 6-15P	13.8	8.2 [31.0] ⁽²⁾
EXPORT								
H210220	1 x 2.1 kW	100-120	1	2+G	2.2	NEMA 5-20P	18.3	5.4 [20.4] ⁽²⁾
H210240	1 x 3.2 kW	200-240	1	2+G	3.3	Cord only ⁽¹⁾	13.8	8.2 [31.0] ⁽²⁾

Important

Potriion size can be controlled by dispense time. Range: 4-40 seconds.
Maximum single dispense is 1570cc / 53 ounces in 40 seconds (maximum dispense time).
Temperature ranges selectable from 122°-207°F / 50°-97°C.

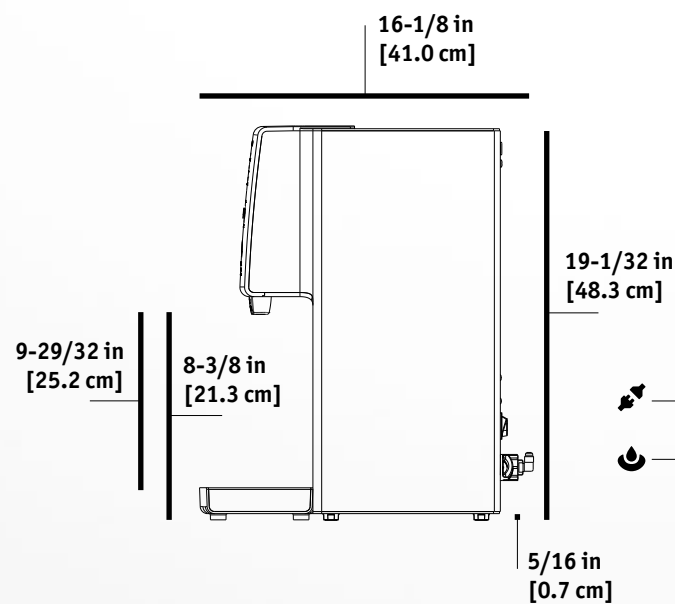
(1) For EXPORT, cord without plug will be supplied.

(2) Flow rate based on 55°F / 13°C water main supply temperature and dispensing from "READY" Light ON.

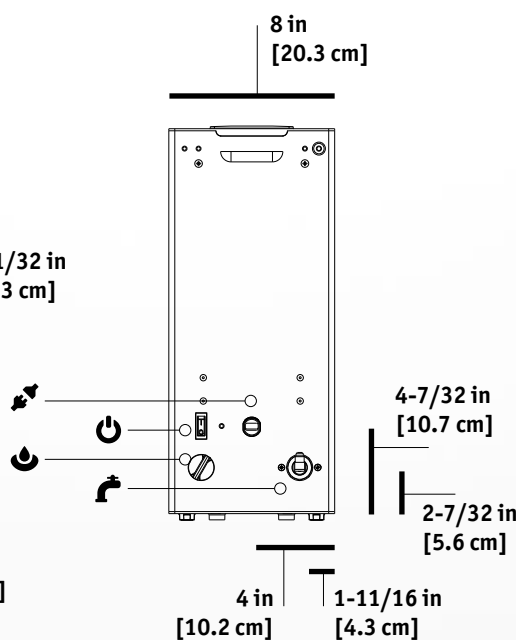
Measurements

Height 19 1/32 in [48.3 cm]	Width 8 in [20.3 cm]	Depth 16 1/8 in [41.0 cm]	Empty Weight 19 lbs [8.6 kg]	Filled Weight 36 lbs [16.3 kg]	Shipping Weight 25 lbs [11.3 kg]
--------------------------------	-------------------------	------------------------------	---------------------------------	-----------------------------------	-------------------------------------

SIDE VIEW



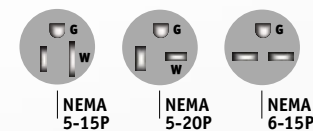
BACK VIEW



SYMBOLS

- Electrical Connector
- On / Off Switch
- Tank Drain
- Water Inlet

NEMA PLUGS CONFIGURATIONS



FETCO® is an active member of



Information

fetco.com

847.719.3000
180.338.2699 USA
 847.719.3001

Food Equipment Technologies Co.
600 Rose Road
Lake Zurich, IL 60047
USA