

F1S21L02A-BL / F1S21L02A-SS / F1S21L03A-BL

21" RV 3-Burner Gas Range



F1S21L02A-BL



F1S21L02A-SS



F1S21L03A-BL



Optional: Drawer Front
CF1SL02ABLA1



Optional: Drawer Front
CF1SL02ASSA1



Optional: Drawer Front
CF1SL03ABLA1



Main Features



CAPACITY



OVEN
POWER



PIEZO
IGNITION



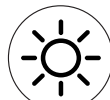
GAS
BURNERS



IMPROVED
HEAT DISTRIBUTION



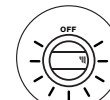
FLUSH MOUNTED



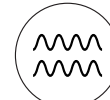
OVEN LIGHT
BULB



GAS AUTO
SAFETY CUT-OFF
(OVEN BURNER)



INNOVATIVE
LED INDICATOR

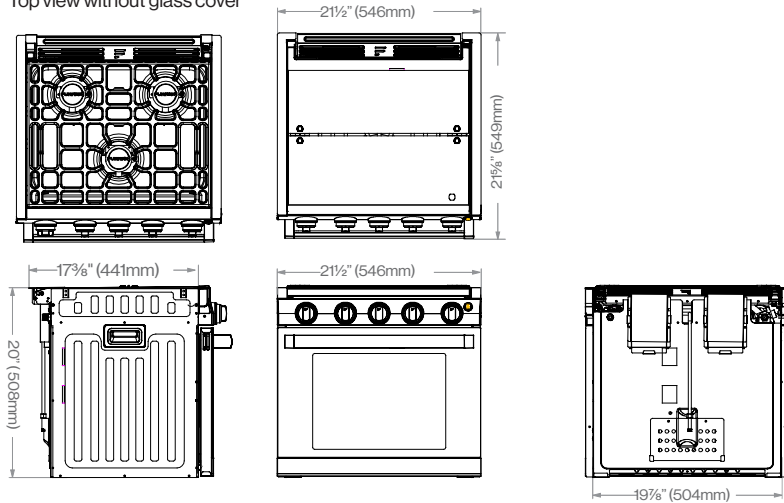


VIBRATIONSMART

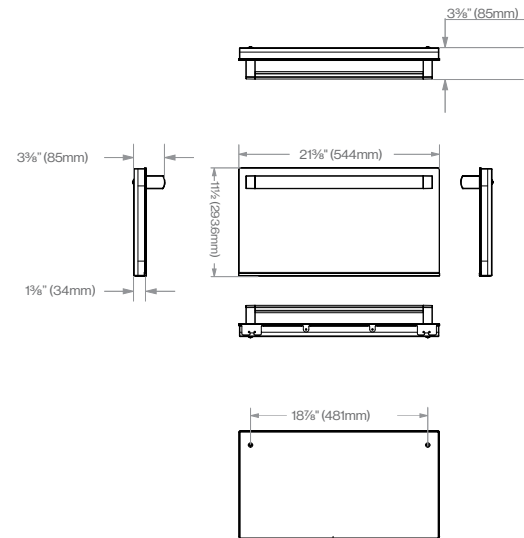
FURRION

Range

Top view without glass cover



Drawer Front



Specifications

Oven

Total Oven Capacity	1.79 cu. ft. (50.79L)
Cavity Dimensions (L x W x H)	17 x 14 ¹ / ₈ x 12 ⁷ / ₈ " (432 x 360 x 327mm)
Oven Cooking Technology	Conventional (bottom-up heat transfer)
Oven Temperature Range	350 to 475°F (146 to 246°C)
Oven Burner Power	7,100 BTU
Gas Safety Cut-off Valve	✓
Triple Layer Glass	✓
Enamel Non -Stick Coating	✓
Cavity Light	1 (10W, Halogen Light)
Number of rack positions	3
Number of racks included	1

Cooktop

Cooktop type and Surface	Gas with Matt Enamel Stamped Grate
No. of Burners	3 Burners
Power & Size	Front: 8,000 BTU (2.4") Rear Right: 6,500 BTU (2.4") Rear Left: 6,500 BTU (2.4")
Glass Cover	2-piece folding cover

Other Specifications

Ignition Type	Piezo Igniter
Fuel Type	Propane
Control Type	2-color LED Metallic Knobs: Blue: Decorative Red: For Safety (Burner ON with gas flowing)
Control Location	Front Panel
Storage Drawer	Optional Drawer Front for Drawer
Power Source	12V DC

Applications

Specialty Vehicle	✓
Food Truck	✓

Dimensions, Weight & Container load information

Range

Product Dimensions (L x W x H)	21 ¹ / ₂ x 21 ¹ / ₈ x 20" (546 x 549 x 508mm)
Packaging Dimensions (L x W x H)	25 x 23 ⁷ / ₈ x 25" (635 x 605 x 635mm)
Net Weight (lbs/kg)	F1S21L02A-BL 62.1/28.2 F1S21L02A-SS 62.6/28.4 F1S21L03A-BL 62.1/28.2
Gross Weight (lbs/kg)	F1S21L02A-BL 67.2/30.5 F1S21L02A-SS 67.6/30.7 F1S21L03A-BL 67.2/30.5
40'HQ Container Load (pcs)	216

Drawer Front

Product Dimensions (L x W x H)	21 ¹ / ₂ x 3 ³ / ₈ x 11 ¹ / ₂ " (544 x 85 x 294mm)
Packaging Type	Carton Box
Quantity Per Box (pcs)	2
Packaging Dimensions (L x W x H)	24 ³ / ₈ x 8 ⁵ / ₈ x 15" (620 x 220 x 380mm)
Net Weight (lbs/kg)	CF1SL02ABLA1 19.8/9 CF1SL02ASSA1 19.9/4.5 CF1SL03ABLA1 19.8/9
Gross weight (lbs/kg)	CF1SL02ABLA1 20.5/9.3 CF1SL02ASSA1 10.5/4.8 CF1SL03ABLA1 20.5/9.3

F1S21L02A-BL / F1S21L02A-SS / F1S21L03A-BL-V1.11

