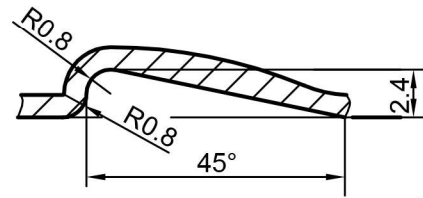
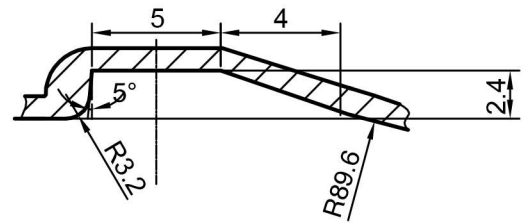


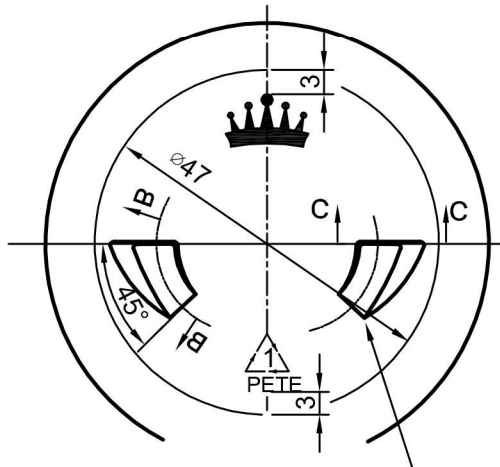
S/2:1




B - B  
4:1



C - C  
4:1



		DATE	 CitadelPackaging.com · 208-550-3393	
		2012.9.15		
O.F. CAPACITY	270ml	PET	PRODUCT NAME:	8oz Boston round 24/410
GRAM WEIGHT	23±2g		RATIO: 1: 1	PAGE: 1/1