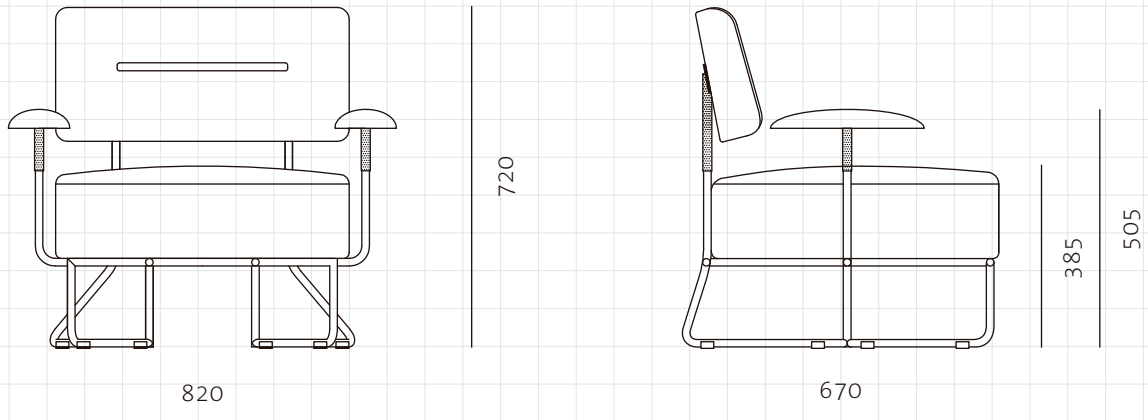


QT Chair



CODE
DIMENSIONS

QT-S121
W820 x D670 x H720mm
Seating height: 385mm

NET WEIGHT
ENVIRONMENT
MATERIALS

18.5 kg
Indoor
Powder coated steel frame, brass plated stainless steel, solid wood armrest, upholstery
*Please refer to website or contact your local representative for complete material swatches.

SHIPPING

Package	Assembled		
Package Qty	1 pcs/box		
Packaging	Measurement (mm)	Volume (cbm)	Gross Weight (kg)
FCL	W885 x D735 x H805	0.52	25.01
LCL/AIR	W905 x D755 x H900	0.61	32.95