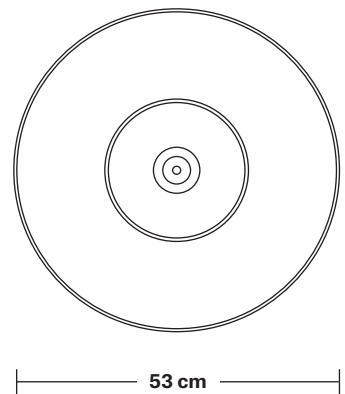
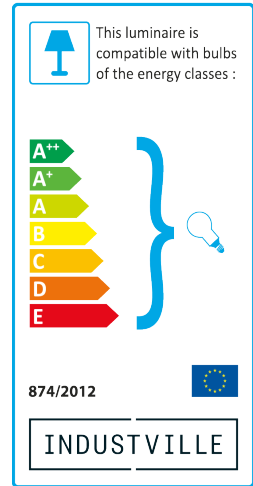
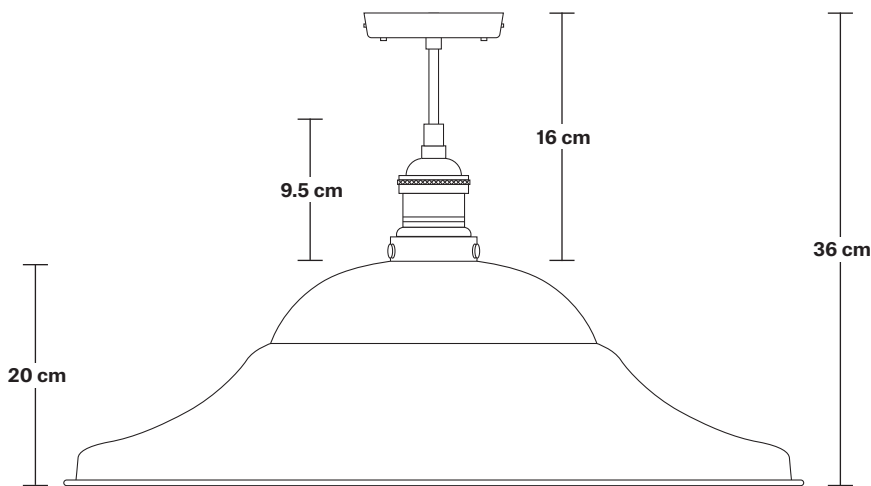


Brooklyn Giant Hat Flush Mount - 21 Inch

Product Code: BR-GHFM21

H: 36 cm x W: 53 cm x D: 53 cm



SPECIFICATIONS

We meet all UK and EU lighting and safety regulations.

Our products are hand finished to ensure an authentic vintage look and therefore they may vary slightly from those shown in the images.

Bulb required: Standard screw (E27) fitting, max 40W.

Shade weight: 1.8 kg | **Holder weight:** 0.5 kg

Maximum weight: 2.3 kg

INFORMATION

Finishes: Brass, Pewter and Copper.

Ready to be installed, installation required.

Wall mount screws not included.

Holders available: Brass and Pewter.

Holder mount: Pewter.

DIMENSIONS

Shade Diameter: 53 cm / 21"

Shade Height (no holder): 20 cm / 7.9"

Holder Diameter: 6 cm / 2.5"

Holder Height: 18 cm / 7.1"

Ceiling Rose Diameter: 12 cm / 4.9"

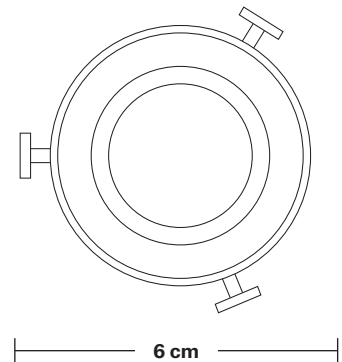
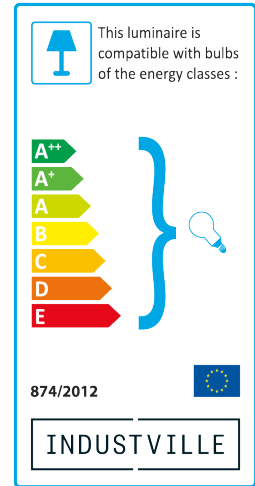
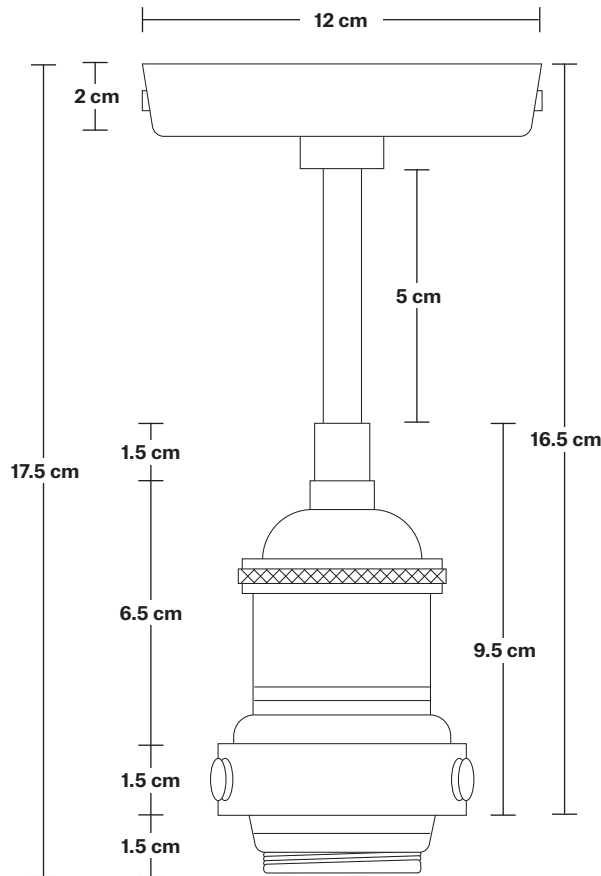
Ceiling Rose Height: 2 cm / 0.8"

INDUSTVILLE

Brooklyn Flush Mount Holder

Product Code: BR-FM

H: 17.5 cm x W: 12 cm x D: 12 cm



SPECIFICATIONS

We meet all UK and EU lighting and safety regulations.

Our products are hand finished to ensure an authentic vintage look and therefore they may vary slightly from those shown in the images.

Bulb required: Standard screw (E27) fitting, max 40W.

Weight: 0.5 kg

INFORMATION

Finishes: Brass, Pewter and Copper.

Ready to be installed, installation required.

Wall mount screws not included.

Ceiling rose: Pewter.

DIMENSIONS

Holder Diameter: 12 cm / 4.7"

Holder Height: 17.5 cm / 6.9"

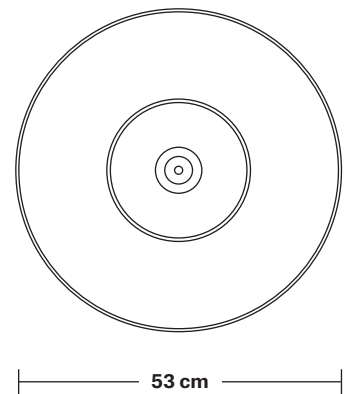
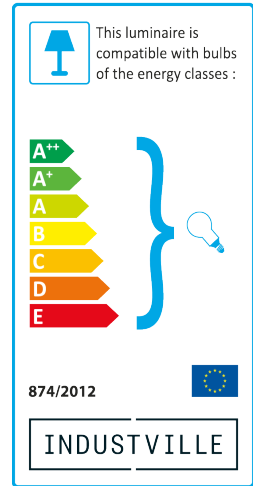
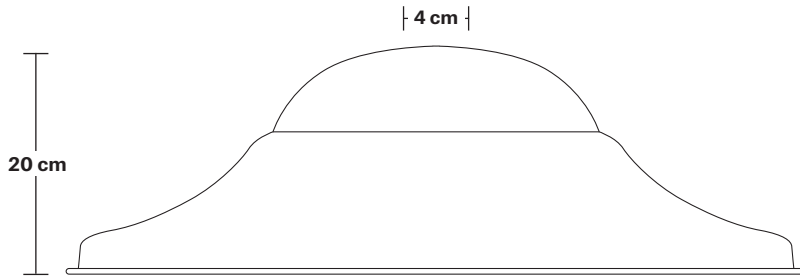
Ceiling Rose Diameter: 12 cm / 4.7"

Ceiling Rose Depth: 2 cm / 0.8"

Giant Hat - 21 Inch - Shade Only

Product Code: GS18-SO

H: 20 cm x W: 53 cm x D: 53 cm



SPECIFICATIONS

We meet all UK and EU lighting and safety regulations.

Our products are hand finished to ensure an authentic vintage look and therefore they may vary slightly from those shown in the images.

Bulb required: Standard screw (E27) fitting, max 40W.

Shade weight: 1.8 kg

INFORMATION

Finishes: Brass and Pewter.

Ready to be installed, installation required.

Wall mount screws not included.

DIMENSIONS

Shade Diameter: 53 cm / 21"

Shade Height (no holder): 20 cm / 7.9"

Giant Hat - 21 Inch - Pewter

Shade Only

Giant Hat - 21 Inch - Pewter - Shade Only	GH21-P-SO
---	------------------

Brooklyn Giant Hat Pendant - 21 Inch - Pewter

Brooklyn Giant Hat Pendant - 21 Inch - Pewter - Brass Holder	BR-GHP21-P-BH
--	----------------------

Brooklyn Giant Hat Pendant - 21 Inch - Pewter - Pewter Holder	BR-GHP21-P-PH
---	----------------------

Brooklyn Giant Hat Pendant - 21 Inch - Pewter - Copper Holder	BR-GHP21-P-CH
---	----------------------

Brooklyn Giant Hat Pendant - 21 Inch - Pewter - Pewter Chain Holder	BR-GHP21-P-PCN
---	-----------------------

Brooklyn Giant Hat Flush Mount - 21 Inch - Pewter

Brooklyn Giant Hat Flush Mount - 21 Inch - Pewter - Brass Holder	BR-GHFM21-P-BH
--	-----------------------

Brooklyn Giant Hat Flush Mount - 21 Inch - Pewter - Pewter Holder	BR-GHFM21-P-PH
---	-----------------------

Brooklyn Giant Hat Flush Mount - 21 Inch - Pewter - Copper Holder	BR-GHFM21-P-CH
---	-----------------------

Swan Neck Giant Hat Wall Light - 21 Inch - Pewter

Swan Neck Giant Hat Wall Light - 21 Inch - Pewter	SN-GHWL21-P
---	--------------------

Sleek Giant Hat Pendant - 21 Inch - Pewter

Sleek Giant Hat Pendant - 21 Inch - Pewter - Brass Holder	SL-GHP21-P-BH
---	----------------------

Sleek Giant Hat Pendant - 21 Inch - Pewter - Pewter Holder	SL-GHP21-P-PH
--	----------------------

Sleek Giant Hat Pendant - 21 Inch - Pewter - Copper Holder	SL-GHP21-P-CH
--	----------------------