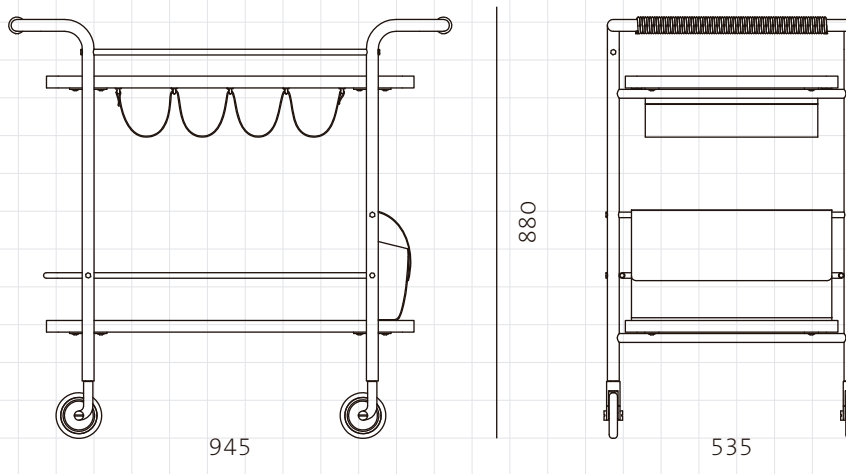


Valet Bar Cart



CODE

VA-CA110

DIMENSIONS

W945 x D535 x H880mm

NET WEIGHT

25.0 kg

ENVIRONMENT

Indoor

MATERIALS

Powder coated steel frame, leather, brass plated stainless steel, veneer laminate boards

*Please refer to website or contact your local representative for complete material swatches.

SHIPPING

Package	Knock Down		
Package Qty	1 pcs/box		
Packaging	Measurement (mm)	Volume (cbm)	Gross Weight (kg)
FCL	W995 x D595 x H375	0.22	28.32
LCL/AIR	W1015 x D615 x H470	0.29	35.58