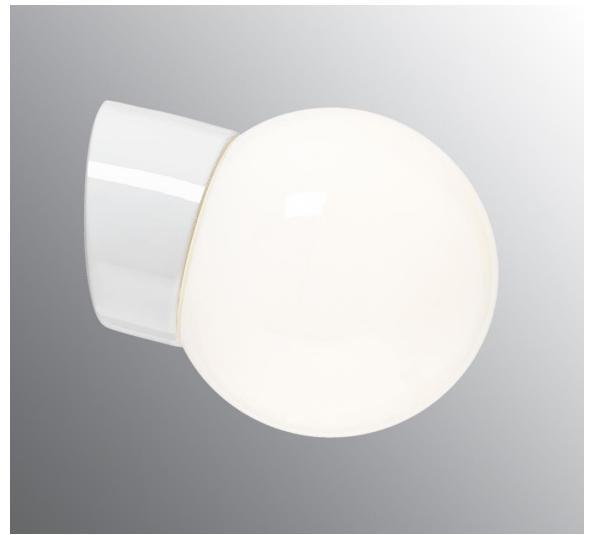


Product No. **6013-540-10**
 S No.
 EAN No. **7312906013545**



Classic Globe

The Classic series is an old favourite of our assortment. Ideal in most areas where functionality and timeless design are the key words. Classic is available in different combinations and are also available with a grey or a brown glazed base as option.

Specification

Base material	Porcelain
Lampholder	E27
Light source	Max 75W (not incl.)
Voltage	230V
Installation	Wall
Base colour	White NCS S 1502-G50Y
Safety class	II
Protection class	IP20
Energy class	-
T _a	-30 - +25
Height	193 mm
Diameter Ø	150 mm
Glass	Shiny opal
Thread	84,5 mm
Weight	0,98 kg
Design	Ifö Electric

Installation

Fix the light fitting to a wall with suitable screws. Connect the leads to the terminals and fasten the lamp holder. Fasten the shade by turning it clockwise. Make sure the gasket between the glass and base is in place.

Technical information

Silicone gasket between glass and base. Four Ø 5mm holes for installation. Two holes CC measurement 60-66 mm. Terminal for connection of max 2 x 2,5 mm². Bridging is possible. Bottom inlet, two knock out openings.

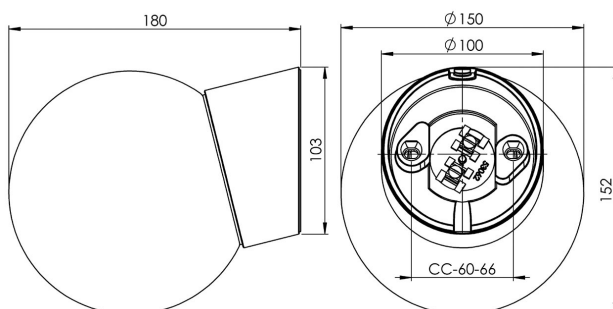
Maintenance

Switch off the power to the fixture. Remove the shade and clean it. Do not use cleaning agents containing solvents. Change the light source if necessary. Check the gasket and change it if necessary. Replace the shade.

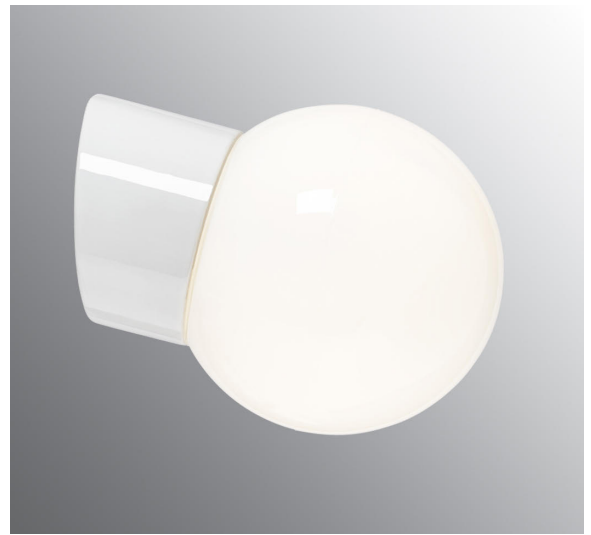
Spare parts

Shade: 1-6108, 79 060 03
 Gasket: Part no 02786-1

If the luminaire is modified the person responsible for the modification shall be considered manufacturer. Subject to errors in text. We reserve the right to change the technical specifications (without notice).



Product No. **6044-540-10**
 S No.
 EAN No. **7312906044402**



Classic Globe

The Classic series is an old favourite of our assortment. Ideal in most areas where functionality and timeless design are the key words. Classic is available in different combinations and are also available with a grey or a brown glazed base as option.

Specification

Base material	Porcelain
Lampholder	E27
Light source	Max 75W (not incl.)
Voltage	230V
Installation	Wall
Base colour	White NCS S 1502-G50Y
Safety class	II
Protection class	IP54
Energy class	-
T _a	-30 - +25
Height	193 mm
Diameter Ø	150 mm
Glass	Shiny opal
Thread	84,5 mm
Weight	0,98 kg
Design	Ifö Electric

Installation

Insert the mains supply cable through the bottom inlet. Fix the light fitting to a wall with suitable screws. Connect the leads to the mantle screws and attach the lamp holder. Insert a light source and fasten the shade by turning it clockwise. Make sure the gasket between the glass and base is in place.

Technical information

Silicone gasket between glass and base. Two Ø 5mm holes with CC measurement 60-66 mm for installation. One bottom inlet for two mains supply cable. Terminals for connection of max 2 x 2,5 mm². Bridging is possible. Bottom inlet, one knock out openings.

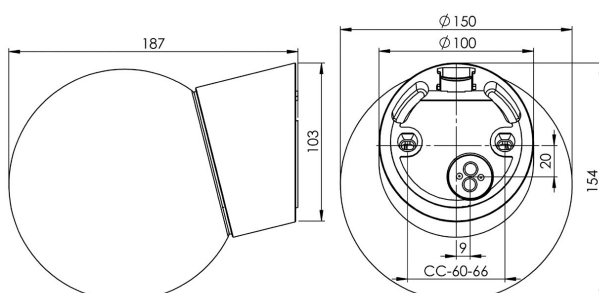
Maintenance

Switch off the power to the fixture. Remove the shade and clean it. Do not use cleaning agents containing solvents. Change the light source if necessary. Check the gasket and change it if necessary. Replace the shade.

Spare parts

Shade: 1-6108, 79 060 03
 Gasket: Part no 02786-1

If the luminaire is modified the person responsible for the modification shall be considered manufacturer. Subject to errors in text. We reserve the right to change the technical specifications (without notice).



Product No. **6044-540-16**
 S No.
 EAN No. **7312906044464**



Classic Globe

The Classic series is an old favourite of our assortment. Ideal in most areas where functionality and timeless design are the key words. Classic is available in different combinations and are also available with a grey or a brown glazed base as option.

Specification

Base material	Porcelain
Lampholder	E27
Light source	Max 75W (not incl.)
Voltage	230V
Installation	Wall
Base colour	Black NCS S 9000-N
Safety class	II
Protection class	IP54
Energy class	-
T _a	-30 - +25
Height	193 mm
Diameter Ø	150 mm
Glass	Shiny opal
Thread	84,5 mm
Weight	0,98 kg
Design	Ifö Electric

Installation

Insert the mains supply cable through the bottom inlet. Fix the light fitting to a wall with suitable screws. Connect the leads to the mantle screws and attach the lamp holder. Insert a light source and fasten the shade by turning it clockwise. Make sure the gasket between the glass and base is in place.

Technical information

Silicone gasket between glass and base. Two Ø 5mm holes with CC measurement 60-66 mm for installation. One bottom inlet for two mains supply cable. Terminals for connection of max 2 x 2,5 mm². Bridging is possible. Bottom inlet, one knock out openings.

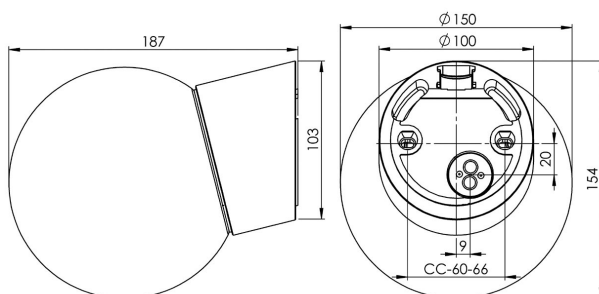
Maintenance

Switch off the power to the fixture. Remove the shade and clean it. Do not use cleaning agents containing solvents. Change the light source if necessary. Check the gasket and change it if necessary. Replace the shade.

Spare parts

Shade: 1-6108, 79 060 03
 Gasket: Part no 02786-1

If the luminaire is modified the person responsible for the modification shall be considered manufacturer. Subject to errors in text. We reserve the right to change the technical specifications (without notice).



Product No. **6045-540-10**
 S No.
 EAN No. **7312906045409**



Classic Globe

The Classic series is an old favourite of our assortment. Ideal in most areas where functionality and timeless design are the key words. Classic is available in different combinations and are also available with a grey or a brown glazed base as option.

Specification

Base material	Porcelain
Lampholder	E27
Light source	Max 75W (not incl.)
Voltage	230V
Installation	Wall
Base colour	White NCS S 1502-G50Y
Safety class	II
Protection class	IP54
Energy class	-
T _a	-30 - +25
Height	222 mm
Diameter Ø	180 mm
Glass	Shiny opal
Thread	84,5 mm
Weight	1,175 kg
Design	Ifö Electric

Installation

Insert the mains supply cable through the bottom inlet. Fix the light fitting to a wall with suitable screws. Connect the leads to the mantle screws and attach the lamp holder. Insert a light source and fasten the shade by turning it clockwise. Make sure the gasket between the glass and base is in place.

Technical information

Silicone gasket between glass and base. Two Ø 5mm holes with CC measurement 60-66 mm for installation. One bottom inlet for two mains supply cable. Terminals for connection of max 2 x 2,5 mm². Bridging is possible. Bottom inlet, one knock out openings.

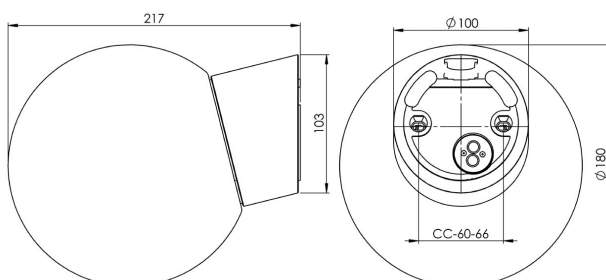
Maintenance

Switch off the power to the fixture. Remove the shade and clean it. Do not use cleaning agents containing solvents. Change the light source if necessary. Check the gasket and change it if necessary. Replace the shade.

Spare parts

Shade: 1-6105, 79 060 13
 Gasket: Part no 02786-1

If the luminaire is modified the person responsible for the modification shall be considered manufacturer. Subject to errors in text. We reserve the right to change the technical specifications (without notice).



Product No. **6045-540-16**
 S No.
 EAN No. **7312906045461**



Classic Globe

The Classic series is an old favourite of our assortment. Ideal in most areas where functionality and timeless design are the key words. Classic is available in different combinations and are also available with a grey or a brown glazed base as option.

Specification

Base material	Porcelain
Lampholder	E27
Light source	Max 75W (not incl.)
Voltage	230V
Installation	Wall
Base colour	Black NCS S 9000-N
Safety class	II
Protection class	IP54
Energy class	-
T _a	-30 - +25
Height	222 mm
Diameter Ø	180 mm
Glass	Shiny opal
Thread	84,5 mm
Weight	1,175 kg
Design	Ifö Electric

Installation

Insert the mains supply cable through the bottom inlet. Fix the light fitting to a wall with suitable screws. Connect the leads to the mantle screws and attach the lamp holder. Insert a light source and fasten the shade by turning it clockwise. Make sure the gasket between the glass and base is in place.

Technical information

Silicone gasket between glass and base. Two Ø 5mm holes with CC measurement 60-66 mm for installation. One bottom inlet for two mains supply cable. Terminals for connection of max 2 x 2,5 mm². Bridging is possible. Bottom inlet, one knock out openings.

Maintenance

Switch off the power to the fixture. Remove the shade and clean it. Do not use cleaning agents containing solvents. Change the light source if necessary. Check the gasket and change it if necessary. Replace the shade.

Spare parts

Shade: 1-6105, 79 060 13
 Gasket: Part no 02786-1

If the luminaire is modified the person responsible for the modification shall be considered manufacturer. Subject to errors in text. We reserve the right to change the technical specifications (without notice).

