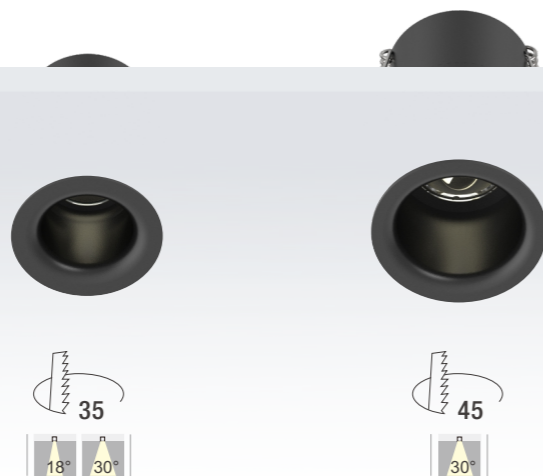


CE UGR < 19



Quickinfo

GENERAL

recessed _____
fixed _____
round _____

LED

SMD LED module _____
2700K, 3000K, 4000K _____
CRI > 80, CRI > 90 _____
Bining < 3-Step MacAdam _____

ESTIMATED LED LIFETIME

L80 / 50.000h _____

OPTICAL

direct illumination _____
beam angle 18°, 30° _____

PHYSICAL

aluminium _____
wet painting _____

Function

Minimalistic design with cutout of 35mm, 45mm.
Deep recessed LED.
Soft curved design.
With complete glare control and visual comfort.
Broad choices of different beam angle lens by tool free change.

Order options

SYSTEM POWER

1.6W
6W

COLOUR TEMPERATURE

2700K
3000K
4000K

COLOR RENDERING INDEX

CRI 80
CRI 90

ELECTRICAL

non DIM

LENS

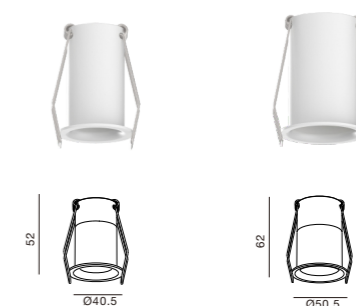


COLOUR



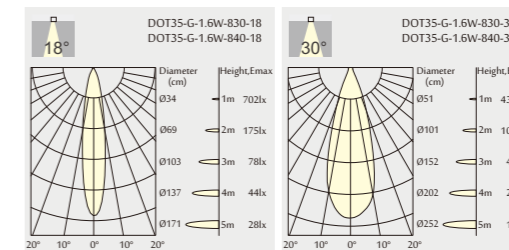
DOT35,45-G

3000K
(Standard)



Light distribution for 3000K

DOT35-G 1.6W 110 lm-120 lm

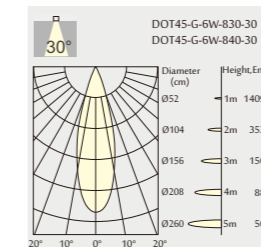


Order Information

DOT35-G-1.6W 110-120 Lm MODELS (CREE LED)

Code	LED output	Module output	LED Voltage	LED Current	LED Power	System Power	CRI	CCT	BEAM
DOT35-G-830-18	150 lm	110 lm	3.2 V	500 mA	1.6 W	2.5 W	83	3000K	18°
DOT35-G-840-18	160 lm	120 lm	3.2 V	500 mA	1.6 W	2.5 W	83	4000K	18°
DOT35-G-830-30	150 lm	110 lm	3.2 V	500 mA	1.6 W	2.5 W	83	3000K	30°
DOT35-G-840-30	160 lm	120 lm	3.2 V	500 mA	1.6 W	2.5 W	83	4000K	30°

DOT45-G 6W 420 lm-450 lm



Order Information

DOT45-G-6W 420-450 Lm MODELS (LUMINUS LED)

Code	LED output	Module output	LED Voltage	LED Current	LED Power	System Power	CRI	CCT	BEAM
DOT45-G-830-30	550 lm	420 lm	18 V	350 mA	6 W	8 W	83	3000K	30°
DOT45-G-840-30	600 lm	450 lm	18 V	350 mA	6 W	8 W	83	4000K	30°