

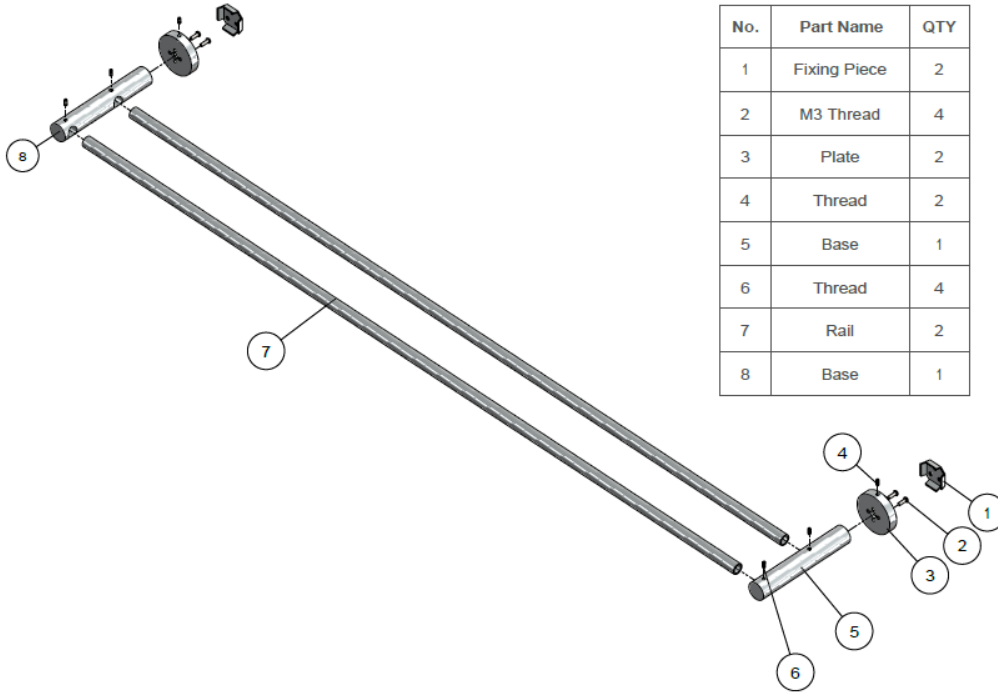
MR01-R90-C

ROUND DOUBLE TOWEL RAIL

meir®



EXPLODED VIEW



No.	Part Name	QTY
1	Fixing Piece	2
2	M3 Thread	4
3	Plate	2
4	Thread	2
5	Base	1
6	Thread	4
7	Rail	2
8	Base	1

CARE

- Do not install tapware using any form of acetone silicones.
- Do not apply physical items (such as tools) directly to product.
- Never use house-hold or commercial detergents, citrus based cleaners, or abrasive cleaners.
- Clean using a mild washing soap solution rinsed, and dry with a soft cloth.
- Check for any product defects before installation.
- Refer to the installation manual for correct installation.

FEATURES

- Refer to the Meir website for warranty terms & conditions, and available finishes.
- Solid brass construction
- Box Weight 0.9 kg

SPECIFICATIONS

