

meir.

**ROUND WALL TAPS
INSTALLATION GUIDE**

Version 2. 2020.

WELCOME

Thank you for purchasing one of our premium Meir Round Wall Taps. Before installing this product, please read these instructions carefully. This Installation Guide contains information for safe use, installation and maintenance. Meir does not accept responsibility for any damages caused by not following these instructions. If you have any questions regarding our products, please contact us at:

sales@meir.com.au

CONTENTS

WELCOME	01
CONTENTS	02
DESCRIPTION	03
MAIN COMPONENTS	04
TECHNICAL INFORMATION	04
PRECAUTIONS FOR INSTALLATION	05
INSTALLATION INSTRUCTIONS	06
CLEANING	08
WARRANTY	09
TROUBLESHOOTING	10

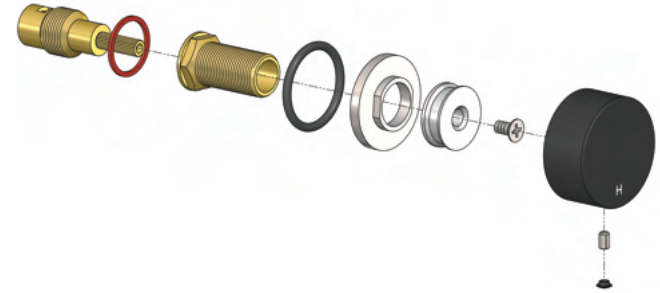
DESCRIPTION



MEIR ROUND WALL TAPS

The Round Wall Taps are installed into the wall using a copper or brass breech (sold separately). The quarter turn cartridge enables convenient water flow control with minimal input.

MAIN COMPONENTS



TECHNICAL INFORMATION

Operating pressure:	300kPa (3 bar)
Maximum static pressure:	500kPa (5 bar)
Maximum hot water temperature:	70°C

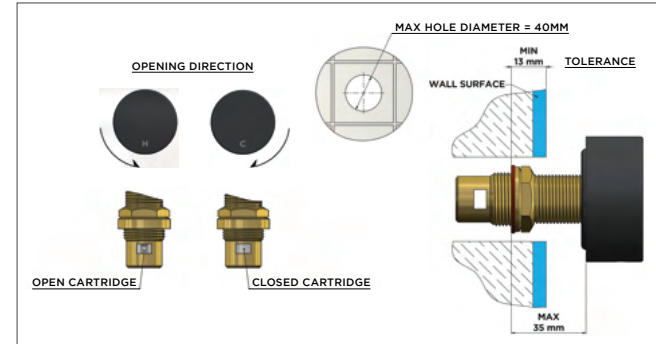
PRECAUTIONS FOR INSTALLATION

- Operating pressures above 5 bar will require the installation of a pressure reducing valve.
- Installation must only be completed by a licensed plumber or tradesperson.
- When installing products, all water pipes must be flushed clean just prior to installation of the wall mixer body units.
- If the water temperature exceeds 75°C, an approved water tempering valve must be fitted.
- The plumber or tradesperson must generate a certificate or official statement showing the work completed. This certificate or receipt must be kept and provided to Meir during any warranty claim request.
- Follow the 'Care and Cleaning' guide at meir.com.au/pages/warranty
- The failure to comply with the instructions outlined above will void any warranty claims.

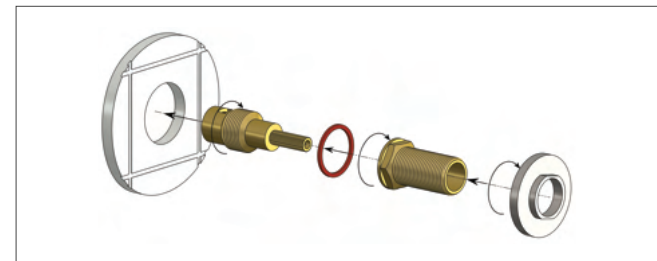
INSTALLATION INSTRUCTIONS

WALL TAPS

1. Before installation please take note of the installation tolerances, as well as the turning directions of the H and C cartridges.



2. Separate the lock nut from the cartridge. Install the cartridge rightly into the breach in the wall, then fasten the lock nut tightly over the cartridge. Screw the base plate over the lock nut, against the wall surface finish.

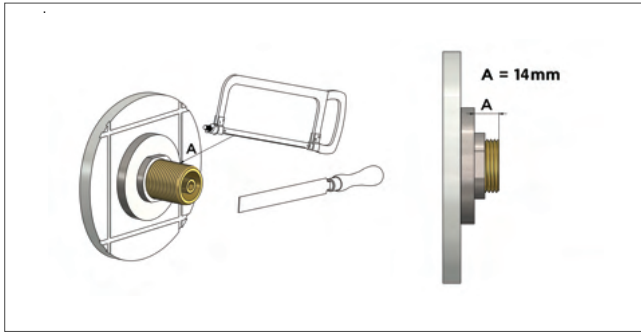


INSTALLATION INSTRUCTIONS CONTINUED OVER PAGE

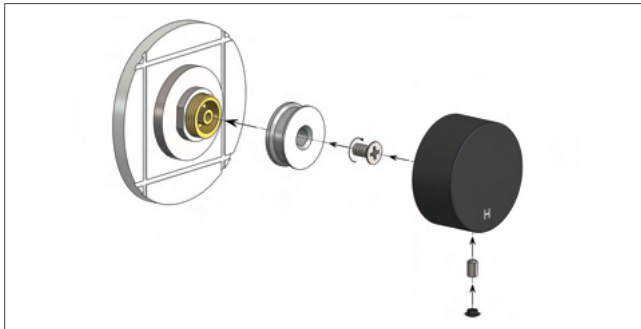
INSTALLATION INSTRUCTIONS

WALL TAPS

3. Measure from the surface of the back plate and cut the lock nut and the spindle to the same lengths.
MINIMUM cut length is to be **14mm** from the wall surface.



4. Screw the handle connector in place, then fasten the handle. Orientate the handle correctly to show the 'H' and 'C' in the bottom position when the cartridge is closed.



CLEANING

- Do not install the tapware using any form of acetone silicones.
- Do not apply physical items (such as tools) directly to the product.
- Never use detergents, acidic based, or abrasive cleaners and do not use undue pressure.
- A soft cloth can be used to remove surface dust. Alternatively, wipe with warm soapy water to ensure the finish remains in a superior condition for continued use.
- The use of wax-based furniture products should be avoided. These can result in a build-up of deposits that can detract from the appearance of the product.

WARRANTY

THE WARRANTY WILL BE VOIDED DUE TO:

- Normal and fair wear and tear, misuse, abuse, or mishap.
- The exposure to excessive moisture derived from lack of ventilation.
- The inability to provide proof of purchase.
- Products not installed by a licensed tradesperson, failure to follow installation instructions or damage which arises from or during installation.
- Scratches or damage caused by applying physical and or abrasive contact directly to the product.
- The product being damaged by accident or neglect.
- Incorrect use of the product in accordance with any applicable Instruction Guides.
- The purchaser attempting to modify or repair the product.
- Full Warranty and Terms & Conditions can be viewed at: meir.com.au/meir-australia-warranty/

TROUBLESHOOTING

FAULT	CAUSE	SOLUTION
Insufficient water flow from outlet.	<ul style="list-style-type: none"> • Incoming water pressure is low. • Quarter turn cartridges inlets are dirty or blocked. 	<ul style="list-style-type: none"> • Check with your local municipality regarding your water supply pressure. • Remove and clean the cartridge.
Water dripping from outlet after closed.	<ul style="list-style-type: none"> • Cartridge not tightly fastened into wall breach. • Damaged mixer cartridge. 	<ul style="list-style-type: none"> • Remove lock nut and re-fasten the cartridge into the breach. • Follow the Meir warranty procedure to have the cartridge replaced.
The round handles turn more than a quarter turn.	<ul style="list-style-type: none"> • The handle grub screw is not tightly fasted to the handle connector. 	<ul style="list-style-type: none"> • Loosen the grub screw, position handle correctly and fasten the grub screw tightly.
The handles turn the wrong way.	<ul style="list-style-type: none"> • The cartridges are installed in the wrong side. 	<ul style="list-style-type: none"> • Remove both the cartridges from the breach and swap them around.

CONTACT

P: 1800 012 122

P: +61 3 8678 1722 (international)

E: sales@meir.com.au

meir.