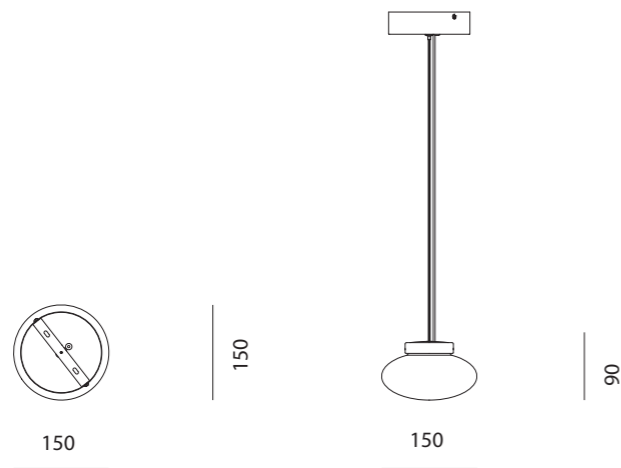


MÜN  
BY OEO STUDIO

Mün Pendant Small



CODE  
DIMENSIONS

MN-P110-S  
Φ150 x H90mm

NET WEIGHT  
ENVIRONMENT

0.80 kg  
Indoor

MATERIALS

Powder coated steel frame, glass shade  
\*Please refer to website or contact your local representative for complete material swatches.

LIGHT SOURCE  
DIMMING  
COLOR TEMPERATURE  
CABLE LENGTH  
CERTIFICATIONS

LED integrated, 4w / 218lm  
1-10V dimming, and the dimmer need to be prepared by the user  
2700k  
3m  
ETL (110-120V~60Hz) | CE (DC 110-240V~50Hz) | CCC (DC 220-240V~50Hz)

SHIPPING

<b>Package</b>	Assembled		
<b>Package Qty</b>	4 pcs/box		
<b>Packaging</b>	<b>Measurement (mm)</b>	<b>Volume (cbm)</b>	<b>Gross Weight (kg)</b>
<b>FCL/LCL/AIR</b>	W490 x D420 x H380	0.08	4.14

