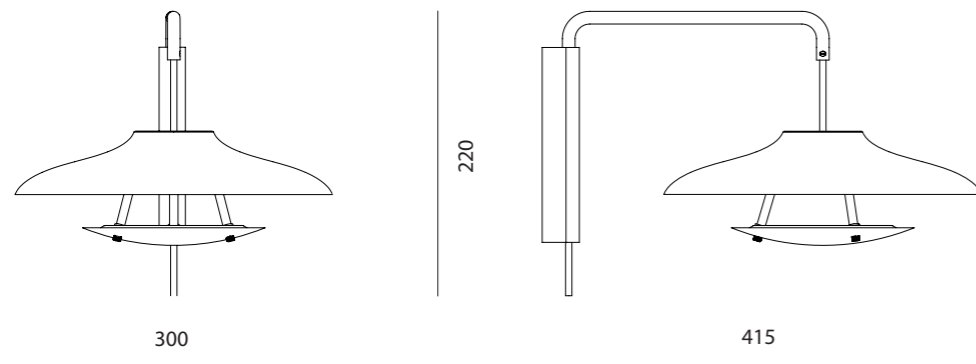


HARO
BY SPACE COPENHAGEN

Haro Wall Lamp



CODE HA-W110
DIMENSIONS W300 x D415 x H220mm

NET WEIGHT 1.60 kg
ENVIRONMENT Indoor

MATERIALS Powder coated steel shade, brass plated stainless steel structure
*Please refer to website or contact your local representative for complete material swatches.

LIGHT SOURCE LED integrated, dimmable LED 1-12w / 1075lm
DIMMING dimmable LED 1-12W

COLOR TEMPERATURE 2700k

CABLE LENGTH 2m

CERTIFICATIONS ETL (24VDC, 0.5A) | CE (24VDC, 0.5A) | CCC (24VDC, 0.5A)

SHIPPING

Package	Assembled		
Package Qty	1 pcs/box		
Packaging	Measurement (mm)	Volume (cbm)	Gross Weight (kg)
FCL/LCL/AIR	W485 x D360 x H210	0.04	2.59