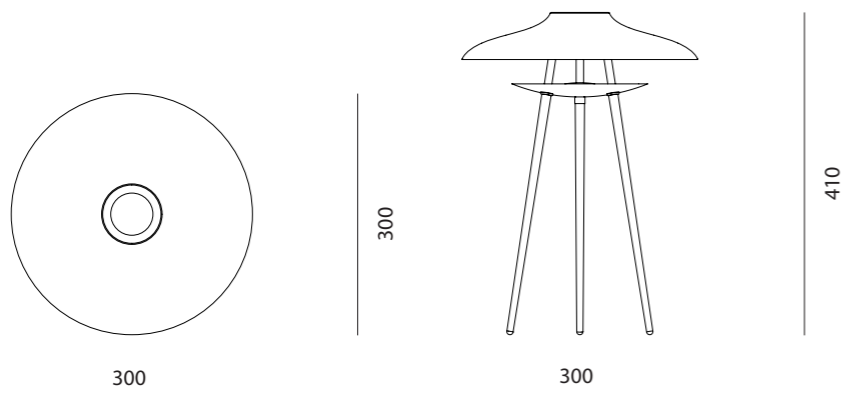


HARO
BY SPACE COPENHAGEN

Haro Table Lamp



CODE
DIMENSIONS

HA-TL110
Ø300 x H410mm

NET WEIGHT
ENVIRONMENT
MATERIALS

1.55 kg
Indoor
Powder coated steel shade, brass plated stainless steel structure
*Please refer to website or contact your local representative for complete material swatches.

LIGHT SOURCE
DIMMING
COLOR TEMPERATURE
CABLE LENGTH
CERTIFICATIONS

LED integrated, dimmable LED 1-8w / 780lm
dimmable LED 1-8W
2700k
2m
ETL (24VDC, 0.5A) | CE (24VDC, 0.5A) | CCC (24VDC, 0.5A)

SHIPPING

Package	Assembled		
Package Qty	1 pcs/box		
Packaging	Measurement (mm)	Volume (cbm)	Gross Weight (kg)
FCL/LCL/AIR	W585 x D360 x H370	0.08	3.29

