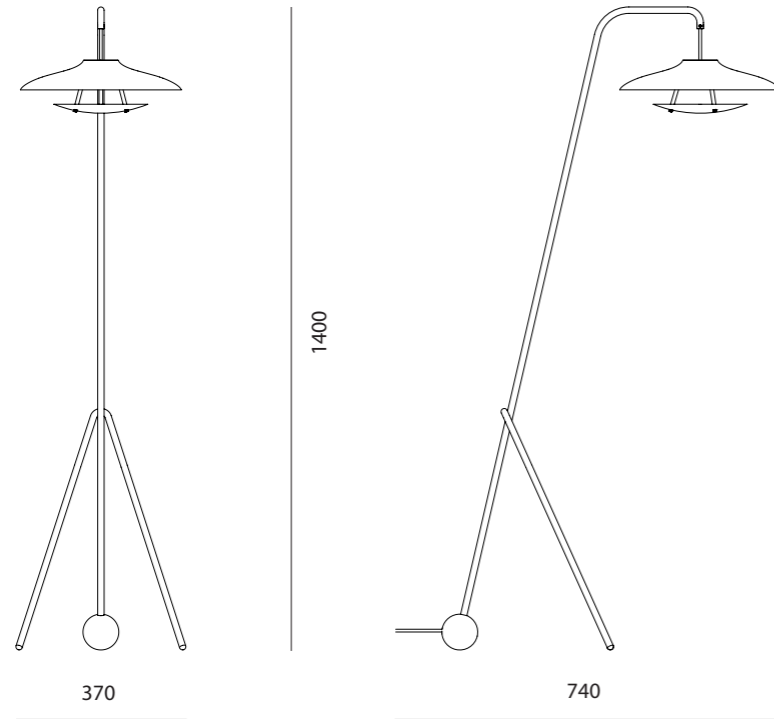


HARO
BY SPACE COPENHAGEN

Haro Floor Lamp



CODE
DIMENSIONS

HA-F110
W370 x D740 x H1400mm

NET WEIGHT
ENVIRONMENT
MATERIALS

5.75 kg
Indoor
Powder coated steel shade, brass plated stainless steel structure
*Please refer to website or contact your local representative for complete material swatches.

LIGHT SOURCE
DIMMING
COLOR TEMPERATURE
CABLE LENGTH
CERTIFICATIONS

LED integrated, dimmable LED 1-12w / 1075lm
dimmable LED 1-12W
2700k
2m
ETL (24VDC, 0.5A) | CE (24VDC, 0.5A) | CCC (24VDC, 0.5A)

SHIPPING

Package	Assembled		
Package Qty	1 pcs/box		
Packaging	Measurement (mm)	Volume (cbm)	Gross Weight (kg)
FCL/LCL/AIR	W1680 x D510 x H470	0.40	11.02

