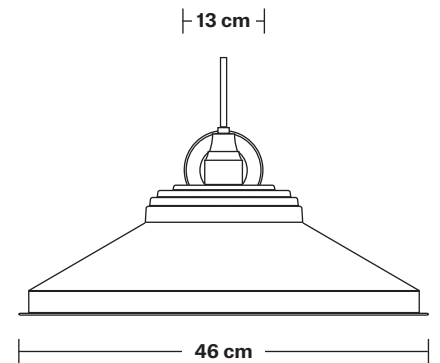
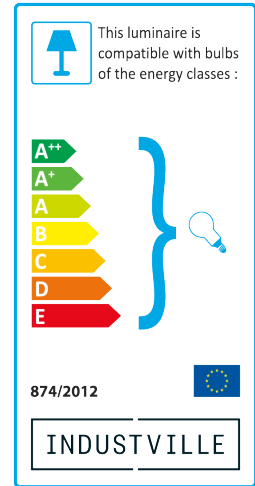
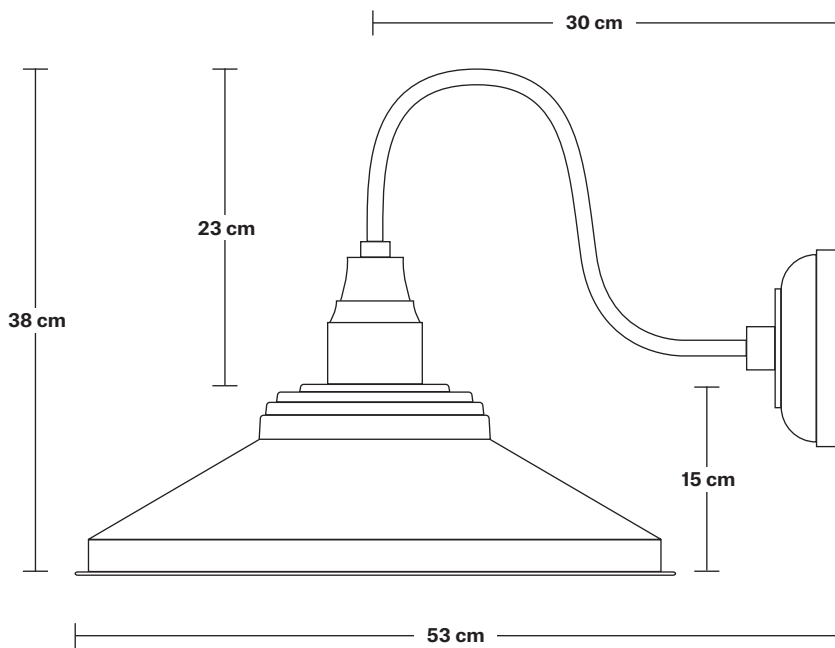


# Swan Neck Giant Step Wall Light - 18 Inch

Product Code: SN-GSWL18

H: 38 cm x W: 46 cm x D: 53 cm



## SPECIFICATIONS

We meet all UK and EU lighting and safety regulations.

Our products are hand finished to ensure an authentic vintage look and therefore they may vary slightly from those shown in the images.

**Bulb required:** Standard screw (E27) fitting, max 40W.

**Shade weight:** 1.4 kg | **Holder weight:** 0.6 kg

**Maximum weight:** 2 kg

## INFORMATION

**Finishes:** Brass and Pewter.

Ready to be installed, installation required.

Wall mount screws not included.

**Holders available:** Brass and Pewter.

## DIMENSIONS

Shade Diameter: 46 cm / 18"

Shade Height (no holder): 15 cm / 6"

Holder Diameter: 6 cm / 2.3"

Holder Height: 25 cm / 10"

Wall Rose Diameter: 13 cm / 5.1"

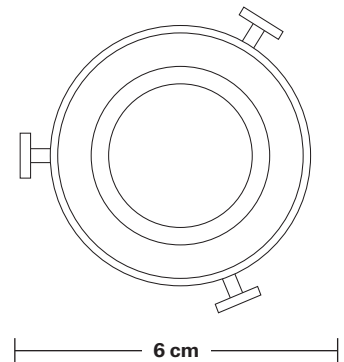
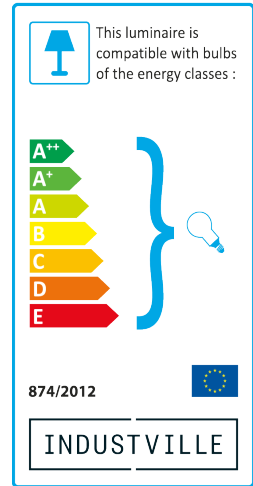
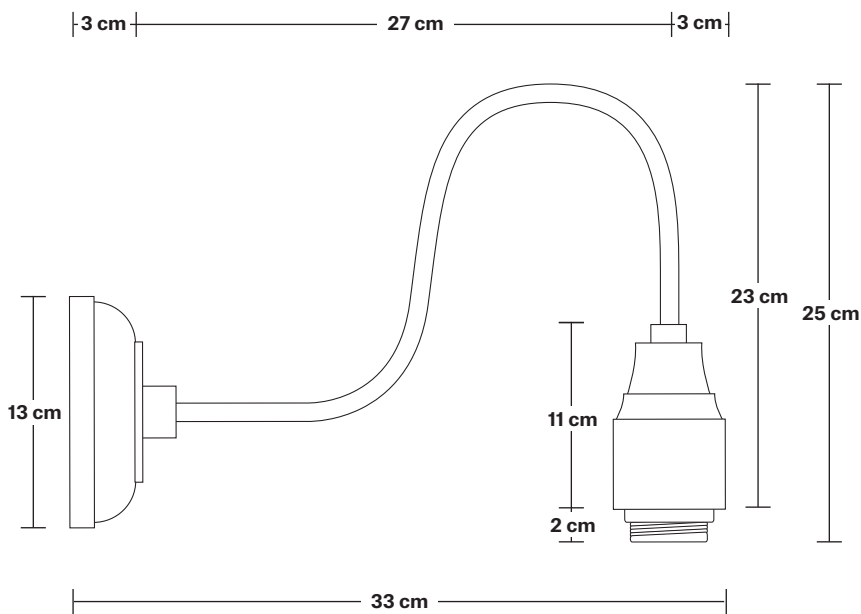
Wall Rose Height: 3 cm / 1.2"

INDUSTVILLE

# Swan Neck Wall Holder

Product Code: SN-WL

H: 25 cm x W: 13 cm x D: 33 cm



## SPECIFICATIONS

We meet all UK and EU lighting and safety regulations.

Our products are hand finished to ensure an authentic vintage look and therefore they may vary slightly from those shown in the images.

**Bulb required:** Standard screw (E27) fitting, max 40W.

**Weight:** 0.6 kg

## INFORMATION

**Finishes:** Brass and Pewter.

Ready to be installed, installation required.

Wall mount screws not included.

**Wall mount rose:** Brass and Pewter.

## DIMENSIONS

Holder Diameter: 6 cm / 2.3"

Holder Height: 25 cm / 10"

Projection: 23 cm / 9.1"

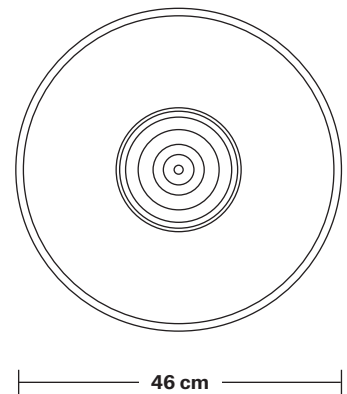
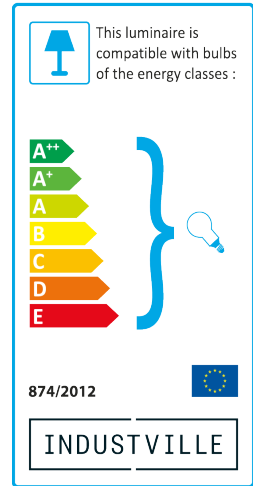
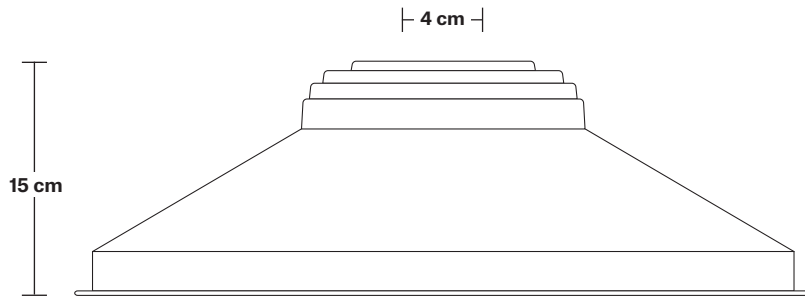
Ceiling Rose Diameter: 13 cm / 5.1"

Ceiling Rose Depth: 3 cm / 1.2"

# Giant Step - 18 Inch - Shade Only

Product Code: GS18-SO

H: 15 cm x W: 46 cm x D: 46 cm



## SPECIFICATIONS

We meet all UK and EU lighting and safety regulations.

Our products are hand finished to ensure an authentic vintage look and therefore they may vary slightly from those shown in the images.

**Bulb required:** Standard screw (E27) fitting, max 40W.

**Shade weight:** 1.4 kg

## INFORMATION

**Finishes:** Brass and Pewter.

Ready to be installed, installation required.

Wall mount screws not included.

## DIMENSIONS

Shade Diameter: 46 cm / 18"

Shade Height (no holder): 15 cm / 6"

# Giant Step - 18 Inch - Pewter

## Shade Only

Giant Step - 18 inch - Pewter - Shade Only	<b>GS18-P-SO</b>
--	------------------

## Brooklyn Giant Step Pendant - 18 Inch - Pewter

Brooklyn Giant Step Pendant - 18 Inch - Pewter - Brass Holder	<b>BR-GSP18-P-BH</b>
---	----------------------

Brooklyn Giant Step Pendant - 18 Inch - Pewter - Pewter Holder	<b>BR-GSP18-P-PH</b>
--	----------------------

Brooklyn Giant Step Pendant - 18 Inch - Pewter - Copper Holder	<b>BR-GSP18-P-CH</b>
--	----------------------

Brooklyn Giant Step Pendant - 18 Inch - Pewter - Pewter Chain Holder	<b>BR-GSP18-P-PCN</b>
--	-----------------------

## Brooklyn Giant Step Flush Mount - 18 Inch - Pewter

Brooklyn Giant Step Flush Mount - 18 Inch - Pewter - Brass Holder	<b>BR-GSFM18-P-BH</b>
---	-----------------------

Brooklyn Giant Step Flush Mount - 18 Inch - Pewter - Pewter Holder	<b>BR-GSFM18-P-PH</b>
--	-----------------------

Brooklyn Giant Step Flush Mount - 18 Inch - Pewter - Copper Holder	<b>BR-GSFM18-P-CH</b>
--	-----------------------

## Swan Neck Giant Step Wall Light - 18 Inch - Pewter

Swan Neck Giant Step Wall Light - 18 Inch - Pewter	<b>SN-GSWL18-P</b>
--	--------------------

## Sleek Giant Step Pendant - 18 Inch - Pewter

Sleek Giant Step Pendant - 18 Inch - Pewter - Brass Holder	<b>SL-GSP18-P-BH</b>
--	----------------------

Sleek Giant Step Pendant - 18 Inch - Pewter - Pewter Holder	<b>SL-GSP18-P-PH</b>
---	----------------------

Sleek Giant Step Pendant - 18 Inch - Pewter - Copper Holder	<b>SL-GSP18-P-CH</b>
---	----------------------