

EMEA/ APAC
Certification/Approvals CE Marked, NSF 50 - 3 Log Crypto, NSF61, NVI, USEPA DGM
Common Option Features

| Features | Standard Chamber Specification | Options |
|-------------------------------------|--|---|
| Lamp Life | 9,000 Hours | |
| Lamp design | TWISTLOK™ Quick Release, Enhanced Safety - Medium Pressure | |
| Lamp and Wiper Access | Single Ended Access | |
| Design Pressure | 10 Barg Design (15 Barg Test) | |
| Number of Sensors | 1-off (2-off for model WF-430-12) | |
| Variable Power | 100% to 30% Power (Automatic Dose Pacing) | |
| Connection Type | PN10 Flanged (EN1092-1-BS4504) | PN16 Flanged (EN1092-1-BS4504), ANSI 150, AS 4087 (PN16), JIS B2220 - 10K |
| Generator Material | 316L Stainless Steel | Superduplex (25Cr) Stainless Steel |
| Internal / External Finish | Electropolished | |
| Internal Surface Finish | 3.2 Ra | |
| Quartz Type | High Purity Quartz Sleeves | TiO2 Doped quartz |
| Mounting | Fixed Brackets | |
| Cleaning system | Automatic Wiper System | |
| Temperature Probe | AT-487 (PT-100) | |
| Vent Port | 1/2" BSP (Air Release Valve supplied for horizontal installations) | |
| Drain Port | 1/4" BSP | |
| Sacrificial Anode - COMPONENT EXTRA | N/A | N/A |
| Ingress Protection (UV Chamber) | IP55 | |
| Installation | Horizontal or Vertical (Lamps must be Horizontal) | |

Common Option Features (continued)

| Features | Standard Control Panel Specification | Options |
|-----------------------|--------------------------------------|-----------------------------|
| Material | Epoxy Coated Mild steel - RAL 7035 | Stainless Steel (304) |
| Control Type | Spectra 3 Microprocessor | |
| Power supply | Electronic Ballast | |
| Ingress Protection | IP54 | |
| Ventilation | Forced Air cooled (Fan) | |
| Interface | Spectra Membrane | Spectra Touch |
| Communication | Modbus (RS-422 / RS-485) | Profibus DP |
| Protection | Door Locked MCCB Isolator | |
| Operating Temperature | Max Working Ambient +45°C | |
| Digital Inputs | 3-off selectable | Additional 3-off selectable |
| Digital Outputs | 3-off selectable | Additional 3-off selectable |
| Analogue Inputs | 1-off selectable | Additional 1-off selectable |
| Analogue Outputs | 1-off selectable | Additional 1-off selectable |

Unique Features

| UV System | WF-115-3 | WF-115-4 | WF-125-6 | WF-215-6 | WF-215-8 | WF-225-8 | WF-230-10 | WF-430-12 |
|------------------------------|--------------|--------------|--------------|-------------|-------------|--------------|-------------|--------------|
| Number of Lamps | 1 | 1 | 1 | 2 | 2 | 2 | 2 | 4 |
| Connection Size (mm/inch) | DN 80/3" | DN 100/4" | DN 150/6" | DN 150/6" | DN 200/8" | DN 200/8" | DN 250/10" | DN 300/12" |
| Power Consumption (Variable) | 0.7 - 1.6 kW | 0.7 - 1.6 kW | 1.1 - 2.7 kW | 1.3 - 3.3kW | 1.3 - 3.3kW | 2.0 - 5.5 kW | 2.6 - 6.6kW | 4.0 - 13.0kW |
| 200v - 50/60hz | Standard | Standard | Standard | Standard | Standard | Option | NA | NA |
| 208 - 240v 50/60hz | Standard | Standard | Standard | Standard | Standard | Standard | NA | NA |
| 380v - 480v 50/60hz | Option | Option | Option | Option | Option | Option | Standard | Standard |

Cable length

| | | | | | | | | |
|-----------------|----------|----------|----------|-------------------|-------------------|----------|----------|----------|
| 10 metres / 30' | Standard | Standard | Standard | Standard | Standard | Standard | Standard | Standard |
| 15 metres / 45' | Option | Option | Option | Option | Option | Option | Option | Option |
| 30 metres / 90' | Option | Option | Option | Requires local JB | Requires local JB | Option | Option | Option |



Genesis House, Richmond Hill, Pemberton, Wigan, WN5 8AA

+44 (0)1942 216161

www.evoqua.com

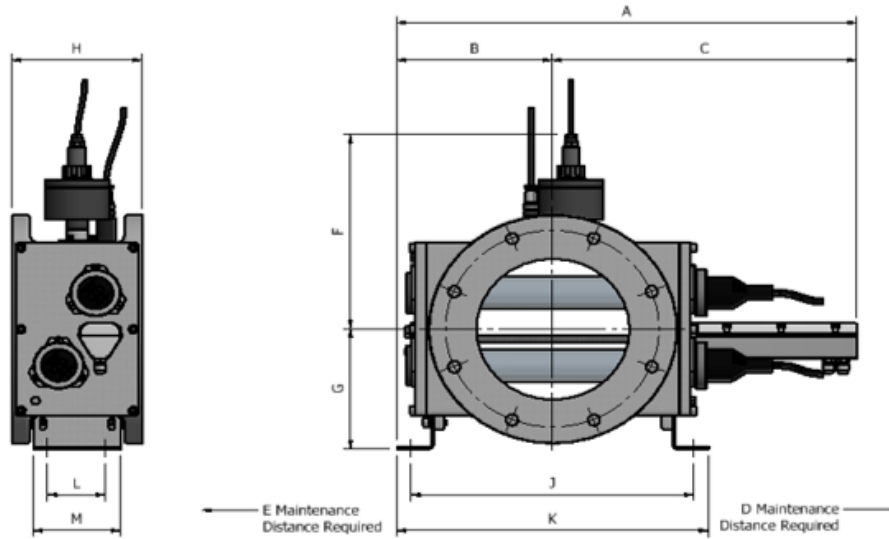
Wafer and Twistlok are trademarks of Evoqua Water Technologies LLC, its subsidiaries or affiliates, in some countries

All information presented herein is believed reliable and in accordance with accepted engineering practices. Evoqua makes no warranties as to the completeness of this information. Users are responsible for evaluating individual product suitability for specific applications. Evoqua assumes no liability whatsoever for any special, indirect or consequential damages arising from the sale, resale or misuse of its products.

© 2020 Evoqua Water Technologies Subject to change without notice.

DS.WF.EN.DS.0720

Dimensions



| UV System | WF-115-3 | WF115-4 | WF-125-6 | WF-215-6 | WF-215-8 | WF-225-8 | WF-230-10 | WF-430-12 |
|-----------------------------|------------|------------|------------|------------|------------|------------|------------|------------|
| Chamber Dimensions | | | | | | | | |
| A (mm / inches) | 520 / 20.3 | 520 / 20.3 | 635 / 24.8 | 635 / 24.8 | 635 / 24.8 | 635 / 24.8 | 795 / 31.0 | 795 / 31.0 |
| B (mm / inches) | 158 / 6.2 | 158 / 6.2 | 215 / 8.4 | 215 / 8.4 | 215 / 8.4 | 215 / 8.4 | 305 / 11.9 | 305 / 11.9 |
| C (mm / inches) | 362 / 14.1 | 362 / 14.1 | 420 / 16.4 | 420 / 16.4 | 420 / 16.4 | 420 / 16.4 | 490 / 19.1 | 490 / 19.1 |
| D (mm / inches) | 370 / 14.4 | 370 / 14.4 | 485 / 18.9 | 485 / 18.9 | 485 / 18.9 | 485 / 18.9 | 625 / 24.4 | 625 / 24.4 |
| E (mm / inches) | 250 / 9.8 | 250 / 9.8 | 250 / 9.8 | 250 / 9.8 | 250 / 9.8 | 250 / 9.8 | 250 / 9.8 | 250 / 9.8 |
| F (mm / inches) | 167 / 6.5 | 167 / 6.5 | 226 / 8.8 | 226 / 8.8 | 226 / 8.8 | 226 / 8.8 | 242 / 9.4 | 267 / 10.4 |
| G (mm / inches) | 122 / 4.8 | 122 / 4.8 | 180 / 7.0 | 180 / 7.0 | 180 / 7.0 | 180 / 7.0 | 233 / 9.1 | 258 / 10.1 |
| H (mm / inches) | 160 / 6.2 | 160 / 6.2 | 180 / 7.0 | 180 / 7.0 | 180 / 7.0 | 180 / 7.0 | 190 / 7.4 | 190 / 7.4 |
| J (mm / inches) | 275 / 10.7 | 275 / 10.7 | 390 / 15.2 | 390 / 15.2 | 390 / 15.2 | 390 / 15.2 | 560 / 21.8 | 560 / 21.8 |
| K (mm / inches) | 315 / 12.3 | 315 / 12.3 | 430 / 16.8 | 430 / 16.8 | 430 / 16.8 | 430 / 16.8 | 610 / 23.8 | 610 / 23.8 |
| L (mm / inches) | 80 / 3.1 | 80 / 3.1 | 80 / 3.1 | 80 / 3.1 | 80 / 3.1 | 80 / 3.1 | 140 / 5.5 | 140 / 5.5 |
| M (mm / inches) | 120 / 4.7 | 120 / 4.7 | 120 / 4.7 | 120 / 4.7 | 120 / 4.7 | 120 / 4.7 | 180 / 7.0 | 180 / 7.0 |
| Dry Weight (kg / lbs) | 27 / 60 | 26 / 57 | 57 / 126 | 58 / 128 | 53 / 117 | 53 / 117 | 78 / 172 | 88 / 194 |
| Wet Weight (kg / lbs) | 30 / 66 | 28 / 62 | 67 / 148 | 68 / 150 | 64 / 141 | 64 / 141 | 99 / 218 | 112 / 247 |
| Spectra - Dimensions | | | | | | | | |
| Width (mm / inches) | 500 / 20 | 500 / 20 | 600 / 23 | 600 / 23 | 600 / 23 | 600 / 23 | 600 / 23 | 600 / 23 |
| Height (mm / inches) | 500 / 20 | 500 / 20 | 800 / 31 | 800 / 31 | 800 / 31 | 800 / 31 | 800 / 31 | 1200 / 47 |
| Depth (mm / inches) | 250 / 10 | 250 / 10 | 300 / 12 | 300 / 12 | 300 / 12 | 300 / 12 | 300 / 12 | 300 / 12 |
| Weight (kg / lbs) | 30 / 66 | 30 / 66 | 50 / 110 | 50 / 110 | 50 / 110 | 55 / 121 | 55 / 121 | <90 / <200 |



Genesis House, Richmond Hill, Pemberton, Wigan, WN5 8AA

+44 (0)1942 216161

www.evoqua.com

Wafer and Twistlok are trademarks of Evoqua Water Technologies LLC, its subsidiaries or affiliates, in some countries

All information presented herein is believed reliable and in accordance with accepted engineering practices. Evoqua makes no warranties as to the completeness of this information. Users are responsible for evaluating individual product suitability for specific applications. Evoqua assumes no liability whatsoever for any special, indirect or consequential damages arising from the sale, resale or misuse of its products.

© 2020 Evoqua Water Technologies Subject to change without notice.

DS.WF.EN.DS.0720