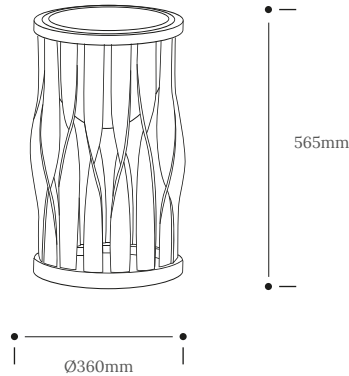


MERRYN FLOOR STANDING PLANTER

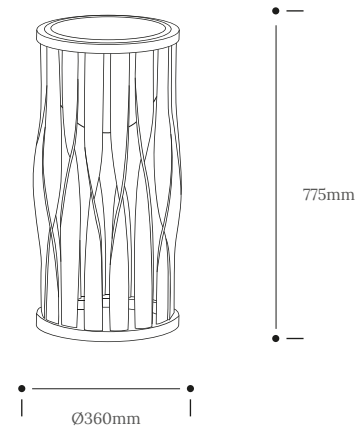
Product Specification

Tom Raffield

Merryn Floor Standing Planter Short



Merryn Floor Standing Planter Tall



Summon nature inside, transform space. The pinch of a potter's hand, the sculpting skill in a steam benders twist. Where traditional craftsmanship and innovative design fuse, The Green Range breathes new life.

Sixteen blades of twisting steam bent oak stand shoulder to shoulder in striking spherical conduct to support a nestled, handmade earthenware bowl. A unique and eye-catching elliptical floor standing planter that is guaranteed to bring any space to life.

Product Type : The Green Range	SKU	Wood types	Dimensions L x W x H (mm)		Weight (kg)	
			Unboxed	Boxed	Unboxed	Boxed
Merryn Floor Standing Planter Short	TR-GR-MRYN-F-S-O	Oak	360 x 360 x 565	475 x 460 x 665	4.15	6.15
Merryn Floor Standing Planter Tall	TR-GR-MRYN-F-T-O	Oak	360 x 360 x 775	475 x 460 x 875	4.45	6.45
Materials	Oak	Earthenware	-		Other materials	
Finish	Finished with a blend of natural wax oils to give a protective, hardwearing and beautiful finish.					
Care information	<ul style="list-style-type: none"> Caring for the earthenware bowl We have designed a striking set of earthenware bowls for our Green Range featuring a hard-wearing proactive glaze on the inside and a unique matte glaze on the outside, known as Engobe. Any fibres on a cleaning cloth will stick to the outside surface more easily due to this beautiful finish. We suggest you clean both the interior and exterior surface of the pot by gently wiping away any marks using warm soapy water and a lint free cloth. Once the pot is clean, gently dab dry using a soft, lint free cloth or towel. Caring for the wooden structure The bowl can be easily removed from its wooden holder before planting or watering. Should you want to water the plant in place, simply wipe away any surface moisture or water straight afterwards to minimise the chance of water stains. Mild furniture polishes can be used on the wood. 					
Additional information	<ul style="list-style-type: none"> Product care instructions included. 					

Tom Raffield Ltd, F3 Church View Business Park, Bickland Water Rd, Falmouth TR11 4FZ, UK

tomraffield.com contact@tomraffield.com +44 (0) 1326 722725 #tomraffield @tomraffield

Due to the character of handcrafted natural products, all dimensions are approximate. Wood colour may slightly vary.

All products, prices and leadtimes are correct at time of print and are subject to change without notice.