

Shelf Library Assembly Guide

1. Start by locating top and bottom of the rail. The Frama logo should be placed in the base, faced towards the wall. 2. Mount the left rail. It is important that the rail is mounted straight, make sure to use a level tool. 3. Mount the right rail.

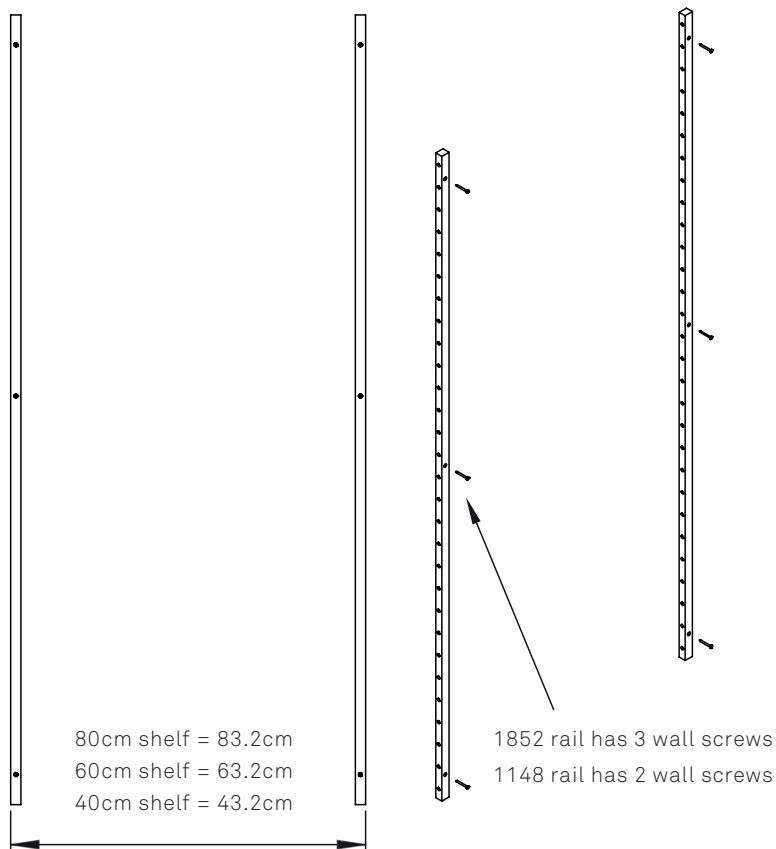
For the 80cm shelf mount the rail 83.2cm apart, outer dimension

For the 60cm shelf mount the rail 63.2cm apart, outer dimension

For the 40cm shelf mount the rail 43.2cm apart, outer dimension

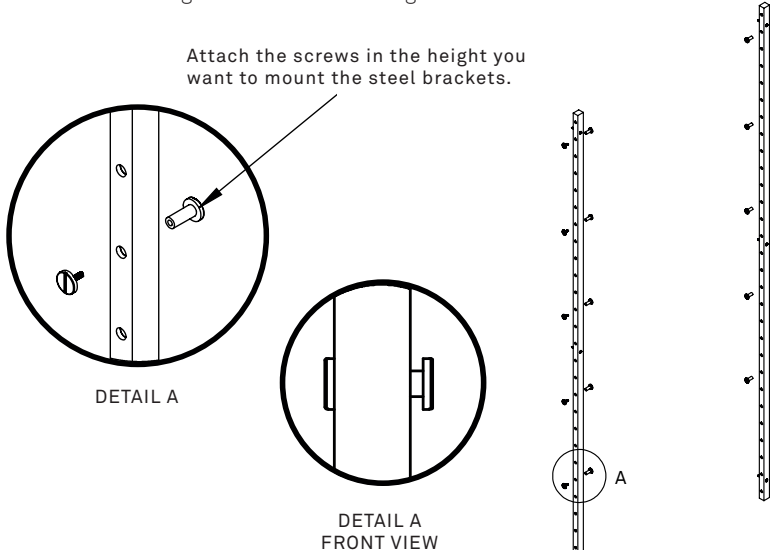
Make sure to use a level tool so that the mounting is straight.

Use Wall anchors suitable for your wall.

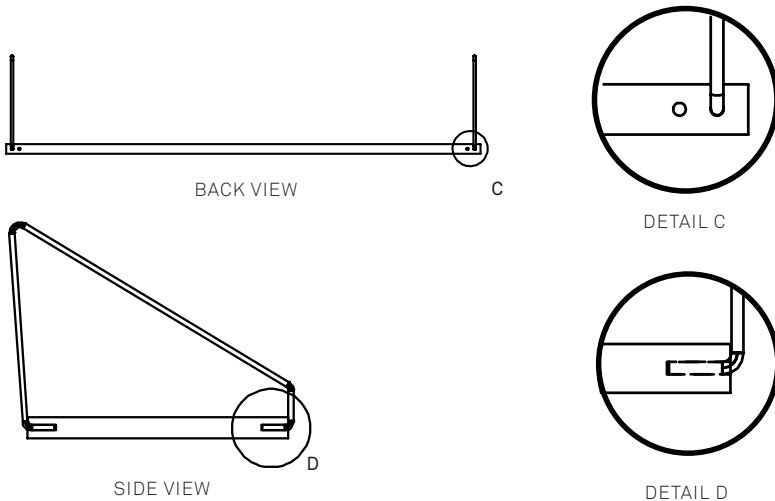


FRAMA

4. Fasten the screws and bolts to the heights you want to mount the brackets. Use the same heights on the left and right rail.



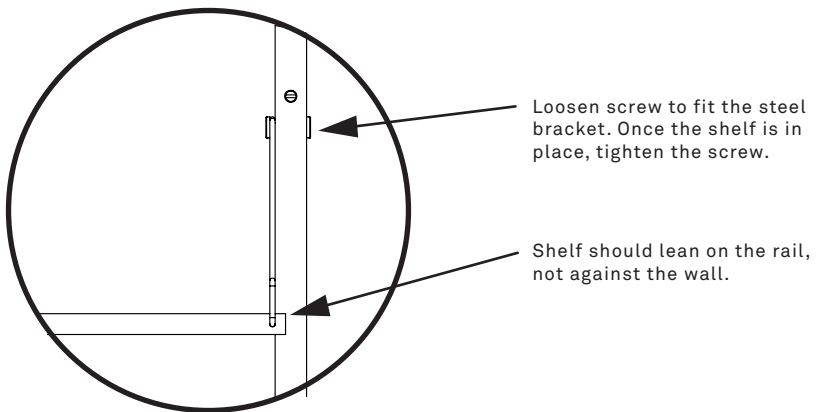
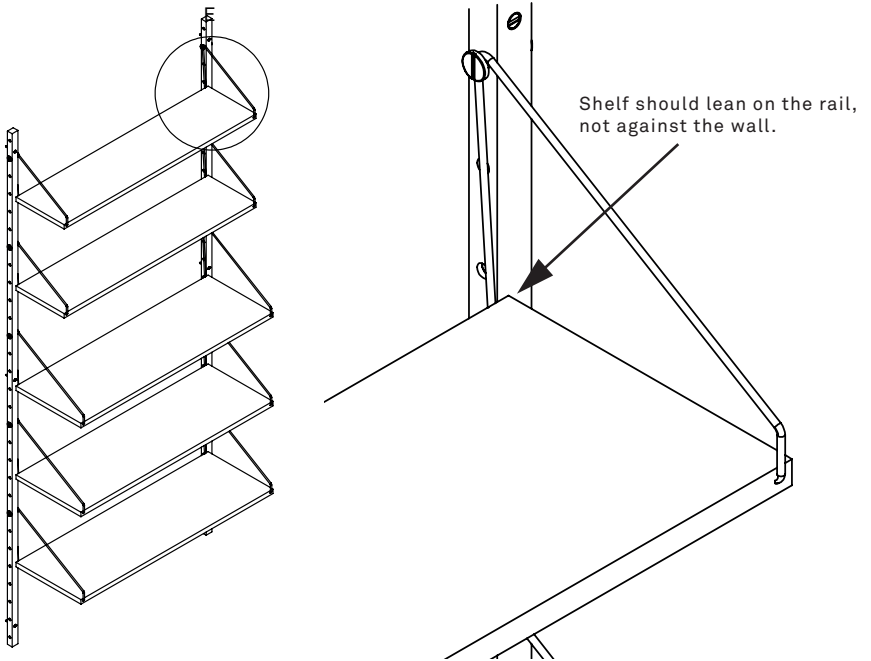
5. Mount the steel brackets on the shelves. The back of the shelf is marked with a frama logo. The back of the bracket should be placed in the hole closest to the shelf edge, see detail C. Make sure the brackets are inserted until the bracket bends, see detail D.



FRAMA

6. Hang the shelves (premounted with the brackets) within the screws that are now mounted on the rails. Be sure that the steel bracket rests on the inner screw.

Important note! The shelves should rest on the rails, not against the wall.



FRAMA