

ChargePort Duo | TA-8250



teleadapt

Table of Contents

Important Safety Instructions	2
Approval Information	2
Products Covered By This Installation Guide	3
Connections And Indicators	3
In The Box	4
Installation	4
Security Options For Installation	4
Completing The Installation	5
Qi Wireless Charging	6
USB Charging	6
Specifications	7
Warranty	8
Contact Details	8

8

Important Safety Instructions

- Read these instructions carefully before attempting any installation. Follow all instructions and heed all warnings. These instructions should be kept for future reference.
- This equipment can be attached to furniture in accordance with these installation instructions.
- This equipment is designed for indoor use only.
- Only use with attachments and accessories as specified by the manufacturer.
- The mains adapter used to power this equipment must be readily accessible at all times.
- Ensure the power cord is uncoiled before installation.
- Clean only with a dry cloth.
- Refer all servicing to qualified service personnel. Servicing is required when the equipment has been damaged in any way, for example if the power supply plug or cord is damaged, liquid has been spilled or objects have fallen into the equipment, the equipment has been exposed to rain or moisture, does not operate normally or has been dropped or damaged.
- Unplug this equipment during lightning storms or when unused for long periods of time.
- Only attempt to wirelessly charge devices which are listed as Qi Certified.
- Do NOT install or use this equipment near water.
- Do NOT expose this apparatus to rain or moisture.
- Do NOT expose to dripping or splashing. No objects filled with liquid such as vases shall be placed on the equipment.
- Do NOT place metallic objects on the wireless charging pads.
- Do NOT install near any heat sources such as radiators, convection heaters or other apparatus such as amplifiers that produce heat.

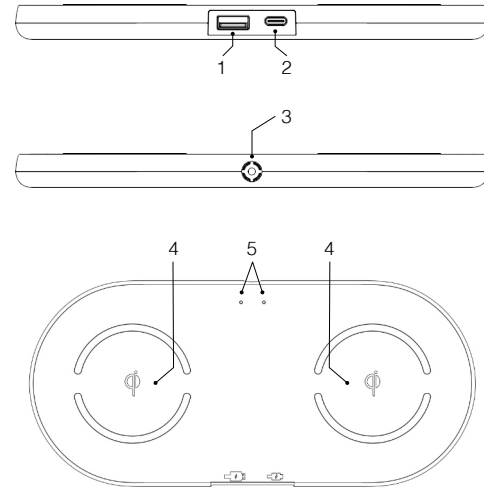
Approval Information

CE EN 55032:2012+AC:2013, EN 55024:2010+A1:2015
 FCC 47 CFR FCC Part 15 Subpart B
 Qi EPP, Qi 1.2.4

Products Covered By This Installation Guide

TA-8250-B00	ChargePort Duo, Soft-touch black, 12V/4A PSU, adhesive pad, bracket.
TA-8250-W00	ChargePort Duo, Soft-touch white, 12V/4A PSU, adhesive pad, bracket..

Connections And Indicators



- | | | | |
|---|--------------------|---|---------------------------------|
| 1 | USB-A CHARGING | 4 | LEFT AND RIGHT QI CHARGING PADS |
| 2 | USB-C CHARGING | 5 | LEFT AND RIGHT INDICATORS |
| 3 | DC POWER CONNECTOR | | |

In The Box

- TA-8250 ChargePort Duo.
- AC power adapter with US, EU, UK, Australia tips.
- Lanyard, grub screw, fixing screw, wall plug.
- Double sided adhesive pad.
- Mounting bracket and fixing screws.

Installation

Identify a suitable location for the ChargePort Duo. This location should be:

1. Within 1 metre of a suitable power outlet.
2. Flat and even.
3. Out of direct sunlight or other sources of heat.
4. Dry and away from any sources of water.

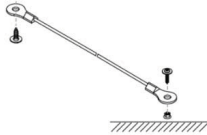
ChargePort Duo is not suitable for installation in a bathroom.

To install first choose a suitable tip to match the power outlet and fit to the AC adapter. Plug the cable from the AC adapter into the DC power connector (3).

Security Options For Installation

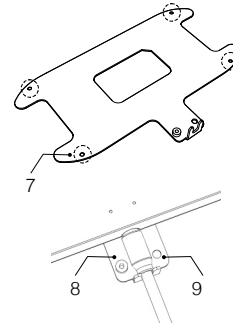
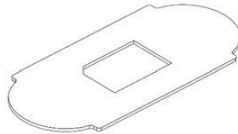
Lanyard

Fix one end to the base of the ChargePort Duo with supplied screw and secure other end to furniture or wall.



Adhesive Pad

Peel protective paper from one side of the pad and carefully affix to base of ChargePort Duo. Peel protective paper from other side of adhesive pad and carefully place the ChargePort Duo in the required location. Apply light downward pressure to ensure good adhesion.



Mounting Bracket

Plug the DC power connector in to the rear of the ChargePort Duo before fitting the bracket. Attach the bracket to the base of the ChargePort Duo (7) using the 4 screws provided.

Ensure the DC power cord is properly retained by the bracket.

To secure, either attach the lanyard (8) or screw directly to the furniture (9).

Completing The Installation

Once the ChargePort Duo is positioned and secured as required, plug the AC adaptor into the mains outlet. When powering up, both indicators on the ChargePort Duo will flash and then go solid white. ChargePort Duo is then ready for use.

Qi Wireless Charging

IMPORTANT NOTE: Only attempt to wirelessly charge devices which are listed as Qi Certified.

ChargePort Duo has two Qi compliant wireless charging pads, each capable of charging compatible devices up to 10 watts.

Place device to be charged on one of the Qi charging pads and adjust position until the charging indicator (6) pulses yellow.

If the indicator does not pulse yellow then adjust the position of the device being charged until it does.

You can charge two devices simultaneously, one on each wireless charging pad.

Do NOT place metallic objects on the wireless charging pads.

In case of accidental placement of metal objects on one of the wireless charging pads, ChargePort Duo is equipped with Foreign Object detection (FOD). If metallic foreign objects are detected by ChargePort Duo then charging will be disabled and the indicator for the affected charging pad will flash white. Remove the foreign object.

ChargePort Duo also monitors temperature to check for signs of over heating. If the temperature is too high then charging will be disabled and the indicator for the affected charging pad will flash white until the temperature returns to the normal range.

USB Charging

ChargePort Duo includes three USB ports, 1 x USB-C and 2 x USB-A. The USB ports support powering and charging most devices including iPhone, iPad, iPod, Android devices, e-readers, digital cameras and more (USB cables sold separately).

The USB-C port can supply 5V/3A, and the USB-A ports can supply 5V/2.4A each.

Specifications

Input

Voltage/Current: 12V/4A

Wireless Charging

Output Power: 5W/7.5W/10W. Total:20W (Max.)
 Over voltage protection: Yes
 Under voltage protection: Yes
 Short circuit protection : Yes
 Over current protection: Yes
 Over temperature protection: Yes
 Foreign Object Detection (FOD): Yes
 Working Frequency: 110-205KHz

Wired Charging

Single output (USB-A or USB-C): 5V3A,9V2A,12V1.5A
 Dual output (USB-A and USB-C): 5V3A. Total 15W (Max.)
 Short circuit protection: Yes
 Over current protection: Yes

Environmental

Operating temperature range: 0~25°C
 Storage temperature range: -20 ~ 70°C
 Operating humidity: 10% ~ 80% RH
 Storage humidity: 5% ~ 95% RH

Warranty

Please see TeleAdapt "Sales Terms & Conditions" which are available at <http://www.teleadapt.com/teleadapt/sales-terms-conditions.html>

Contact Details

Americas

TeleAdapt Inc
1315 Greg Street
Suite 110
Sparks
NV 89431
USA
Tel: +1 775 355 8585

Asia

TeleAdapt (Hong Kong) Limited
Hong Kong
Kowloon
Tel: +852 2155 1383
Email: hk@teleadapt.com

Visit our website at: www.teleadapt.com

ChargePort Duo Installation Guide_05/2021 V1.0