

SPECIFICATION

Desktop charging solution allows hotels to place AC and USB power outlets where guests need them most - at the desk or nightstand. Conveniently located outlets provide the power source guests need to charge smartphones, tablets, laptops and other portable devices. Perfect for bedside placement so guests can comfortably use their device while it's charging.



The perfect convenient Nightstand power solution for guests

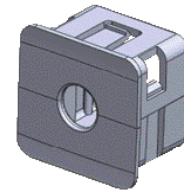
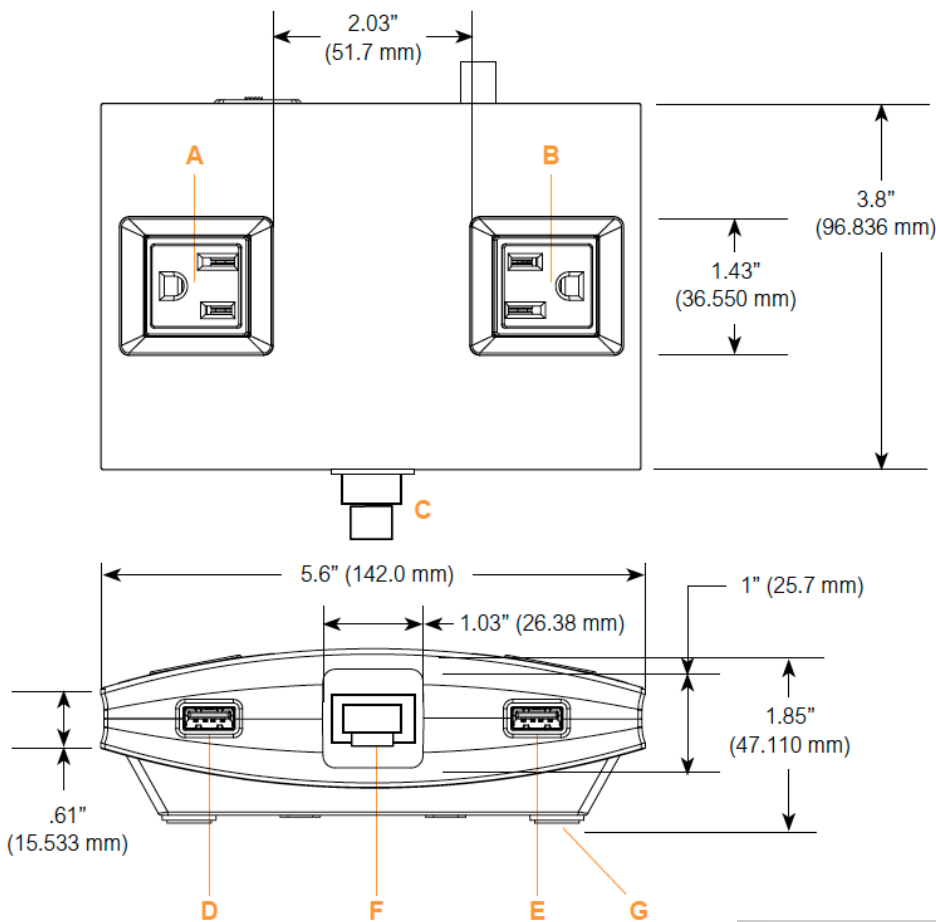
- Provides guests with four easy-to-find charging outlets
- Uniquely designed to sit on desk or nightstand
- Two AC outlets and two USB device charging ports
- High-current/fast-charging USB port supports wide range of portable devices including smartphones and tablets that require higher USB charging current
- Engineered for safety with 10-Amp integrated circuit breaker
- Simple to install, durable construction for everyday use
- No need to commandeer a wall outlet, pass-through power plug replaces wall outlet used to install
- Optional cable chamber allows you to utilize one product for both power charging and desktop cable management (Ethernet or other cable option sold separately)
- Optional mounting plate for secured horizontal and vertical mounting (sold separately)
- Top surface can be branded or used for guest instructions
- UL Approved



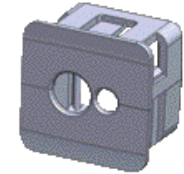
Cable management.

Optional cable chamber allows you to utilize one product for both power charging and desktop cable management.

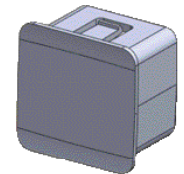
SPECIFICATION



H Single-Cable Grommet



I Dual-Chamber Grommet



J Cable Chamber Cover



Features

- A 120V Power Outlet
- B 120V Power Outlet
- C Optional Ethernet Cable 1.8m (6ft)
- D 1.0 Amp USB Port
- E 2.1 Amp USB Port (optimized for tablet computers)
- F Cable Chamber (see grommet options)
- G Mounting Plate (sold separately)
- H Single-Cable Grommet (included)
- I Optional Dual-Cable Grommet (included)
- J Optional Cable Chamber Cover (included)
- K Power Supply Cable, 2.4m (8ft)
- L Overload Protect Switch
- M Pass-Through Plug

Product Specifications

Weight: Base 0.7 lbs
 (Base plus PSU cable 1.5 lbs.)
 Height: 1.85" (47.110 mm)
 Footprint: 5.6" W x 3.8" L (142mm x 96.8mm)

Available Colours

Black
 Black with Brushed Aluminum Top

Optional Mounting Plate (sold separately)

Flat surface mount or right angle edge mount available. Ask your sales rep for more info.

Certifications

UL Approved