

SPECIFICATIONS

ChargePort™ Vertical Mount

TeleAdapt-designed vertical mount charging solution. Allows hotels to place AC and USB power outlets where guests need them most. Conveniently located outlets provide the power source guests need to charge smartphones, tablets, laptops and other portable devices. Perfect for bedside placement so guests can comfortably use their device while it's charging. Optional cable management feature provides additional connectivity at the desk or nightstand.



Beside placement lets guests comfortably use their devices while charging them.

Order Numbers for the ChargePort Family:

Desktop version (black) - TA-7800-D8-AS

Vertical version (black) - TA-7800US-D8-AS1

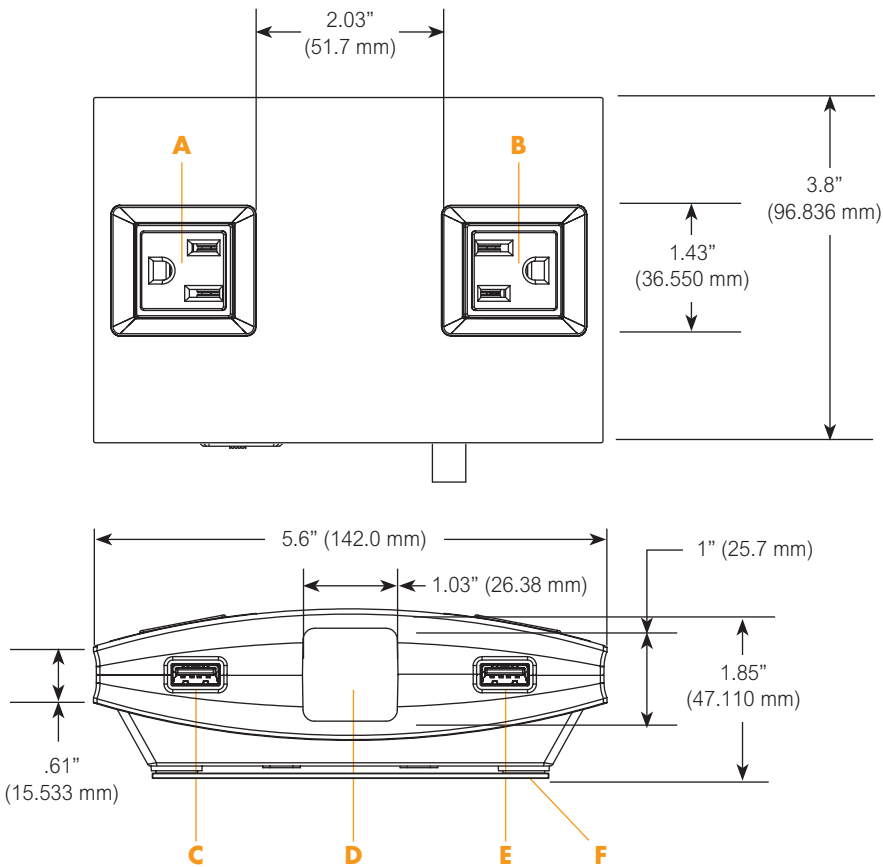
Desktop version (brushed metallic) - TA-7800US-D8-BS

Vertical version (brushed metallic) - TA-7800US-D8-BS1

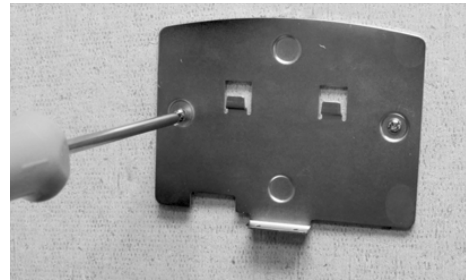
- Provides guests with four easy-to-find charging outlets
- Uniquely designed to easily mount on wall or casegoods
- Two AC outlets and two USB device charging ports
- High-current/fast-charging USB port supports wide range of portable devices including smartphones and tablets that require higher USB charging current
- Engineered for safety with 10-Amp integrated circuit breaker
- Includes wall-mounting bracket
- Durable construction designed for everyday use
- No need to commandeer a wall outlet, pass-through power plug replaces wall outlet used to install
- Also available in desktop model shown here in brushed metallic finish
- Optional Cable Management feature provides Internet or other cable to guests, snap-in cable grommet included
- UL Approved



ChargePort™ Vertical Mount



ChargePort comes with everything you need for easy installation.



Installation is as simple as screwing the mounting plate into the wall, and sliding ChargePort onto the tabs.

Features

- A** 120V Power Outlet
- B** 120V Power Outlet
- C** 1.0 Amp High-Current USB Port
- D** Cable Chamber Cover
- E** 2.1 Amp USB Port (optimized for tablet computers)
- F** Mounting Plate
- G** Power Supply Cable, 2.44m (8ft)
- H** Overload Protect Switch
- I** Pass-Through Plug

Product Specifications

Weight: Base 0.7 lbs
Base plus PSU cable 1.5 lbs.
Height: 1.85" (47.110 mm)
Dimensions: 5.6" W x 3.8" L (142mm x 96.8mm)

Available Finishes

Rubberized Black
(Part no. TA-7800US-D8-AS1)
Charcoal Brushed Aluminum
(Part no. TA-7800US-D8-BS1)

Certifications

UL Approved



Standard USB port charges almost any smartphone your guests check in with.



High-current/fast-charging USB port supports a wide range of smartphones and tablets.



Keeping Your World Connected™ and ChargePort™, are trademarks of TeleAdapt, Inc.

Visit our website at:
www.teleadapt.com

SS-TA-7800_VERTICAL
08/2013_REV-0