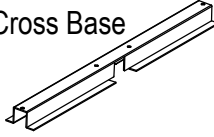
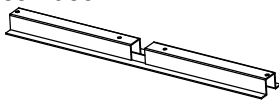


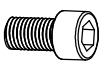

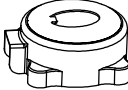
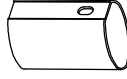
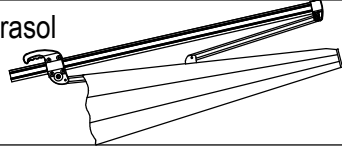




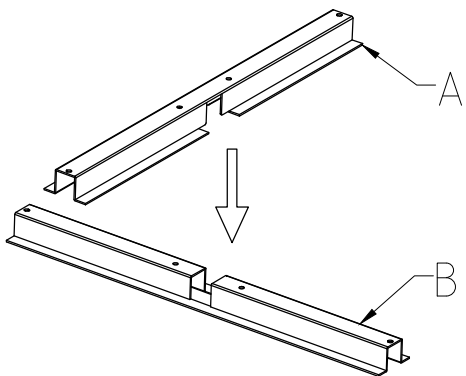


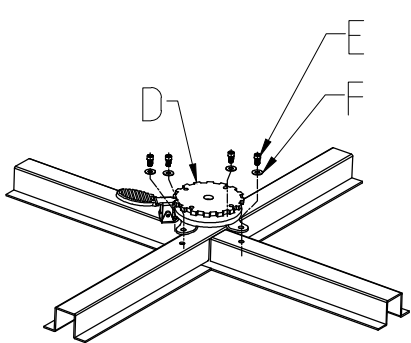


A	Upper Cross Base 	1x	B	Lower Cross Base 	1x
C	Holder 	1x	D	Rotation Pedal 	1x
E	Screw  M8X14	8x	F	Washer  φ8	8x
G	Rotation pedal cover 	1x	H	Plastic Connector 	1x
I	Parasol 	1x	J	Fix screw 	1x
K	Crank 	1x	L	Wrench 	1x
M	Solar Panel 	1x			

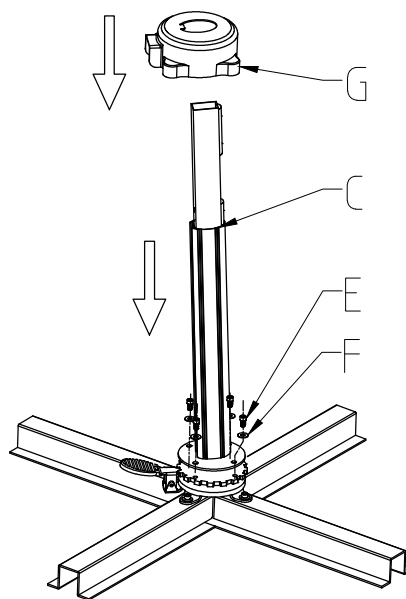
1

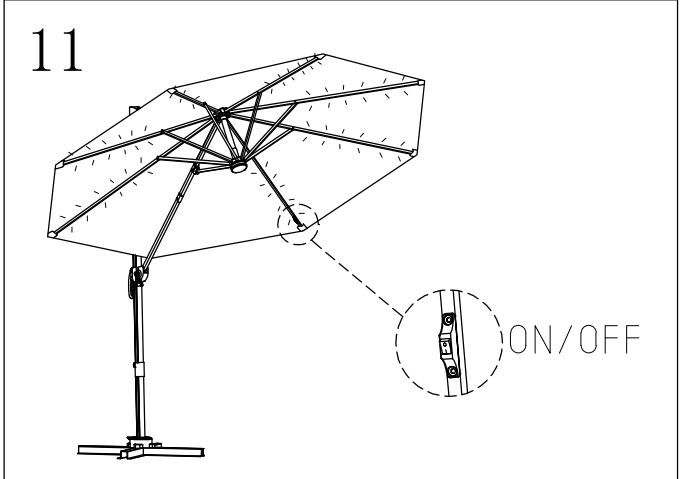
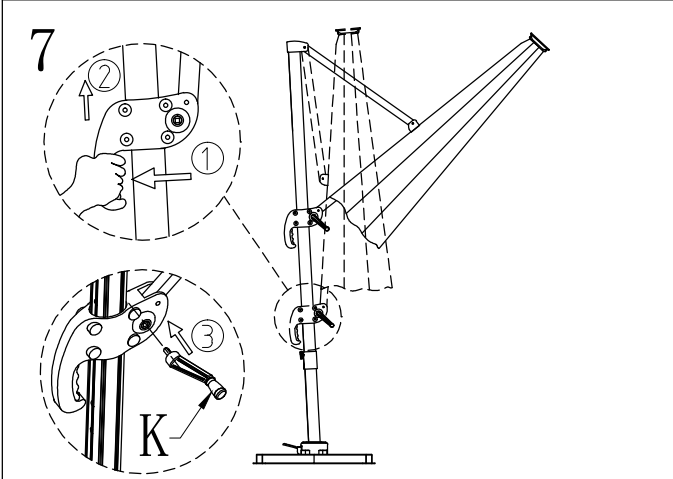
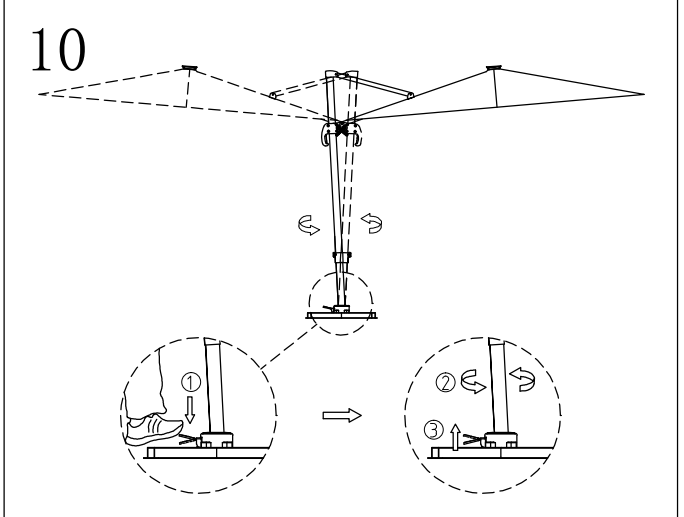
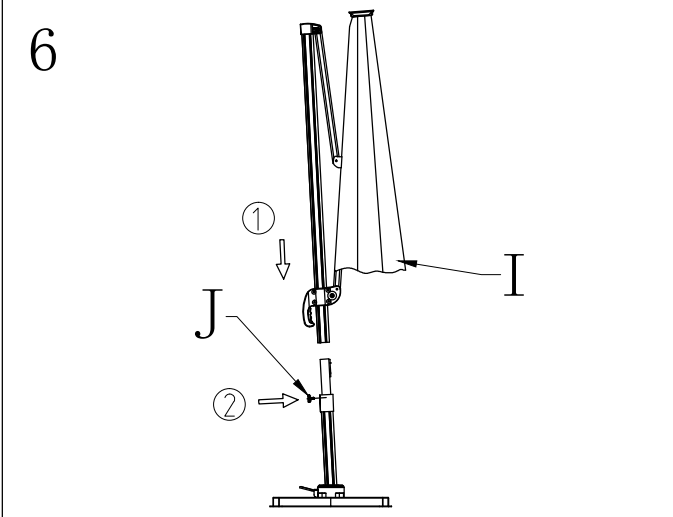
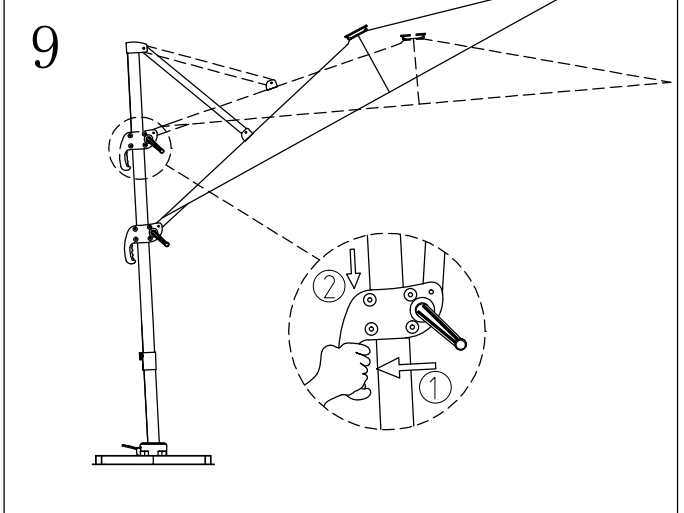
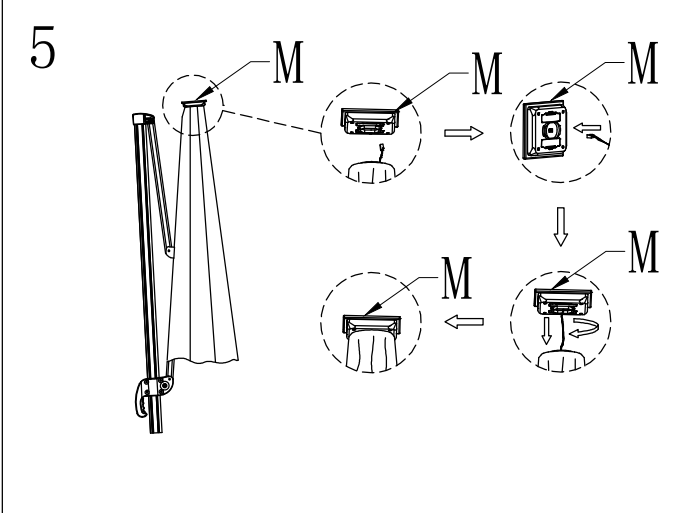
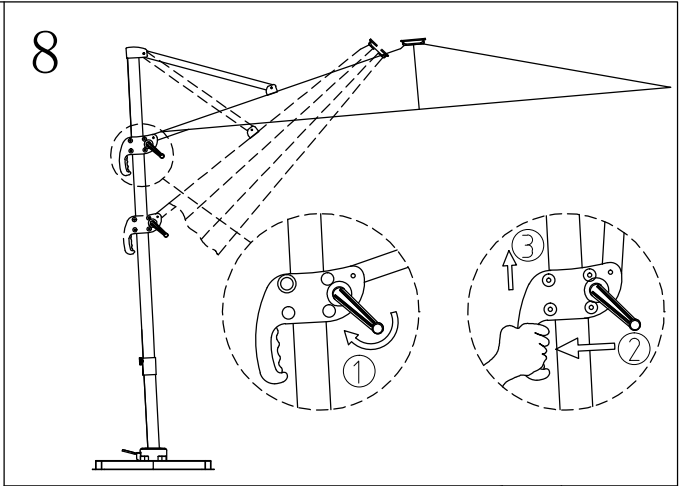
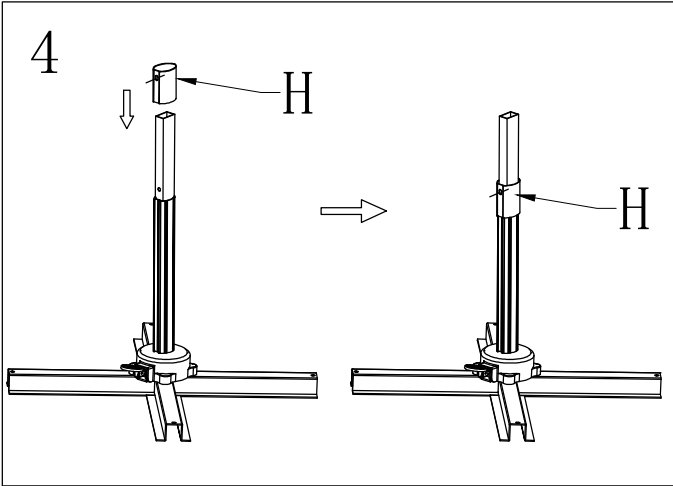


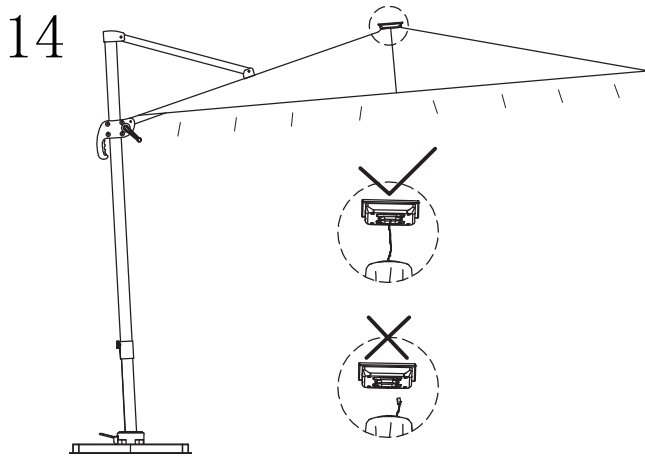
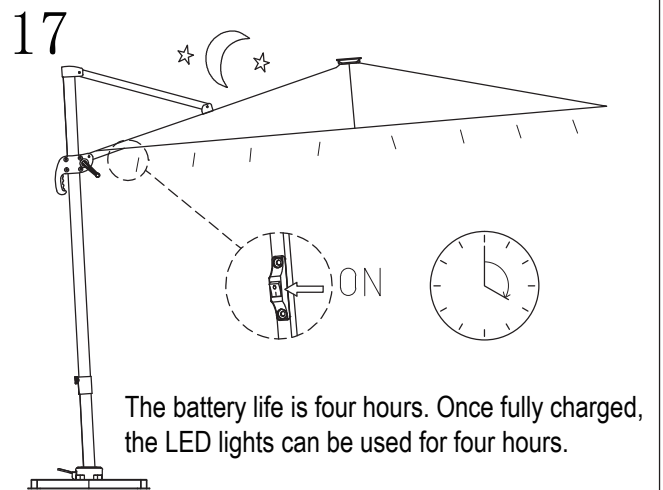
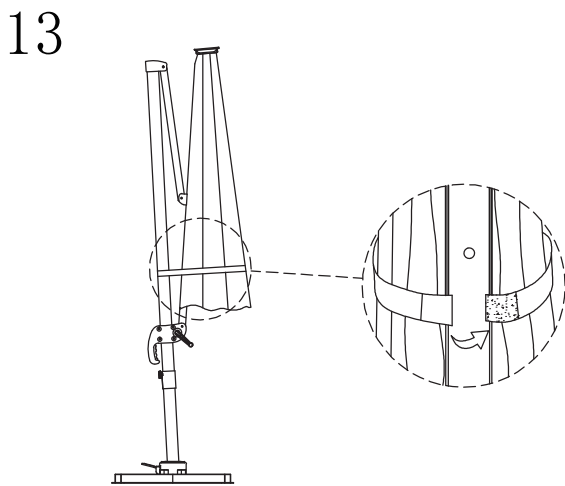
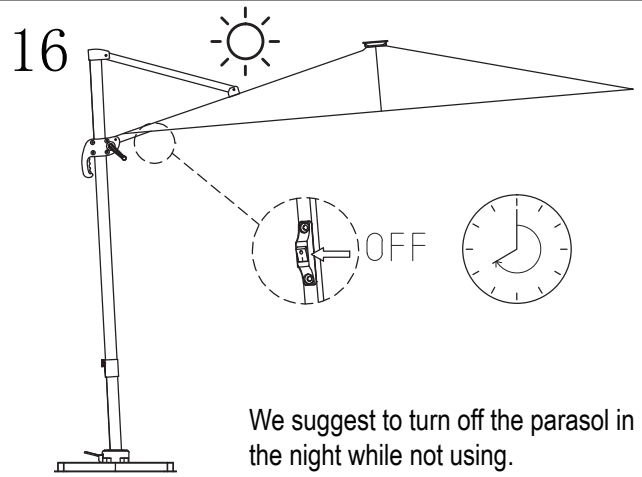
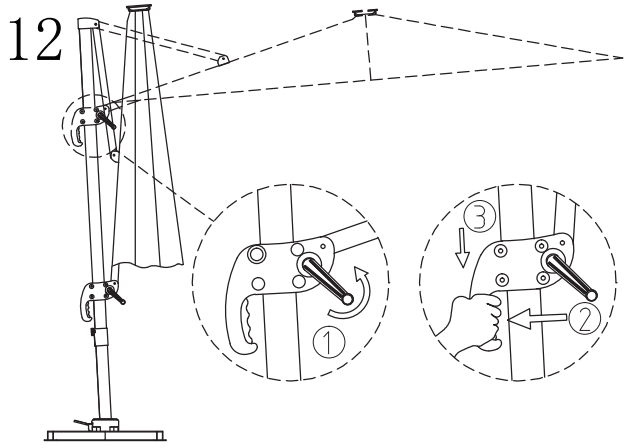
2



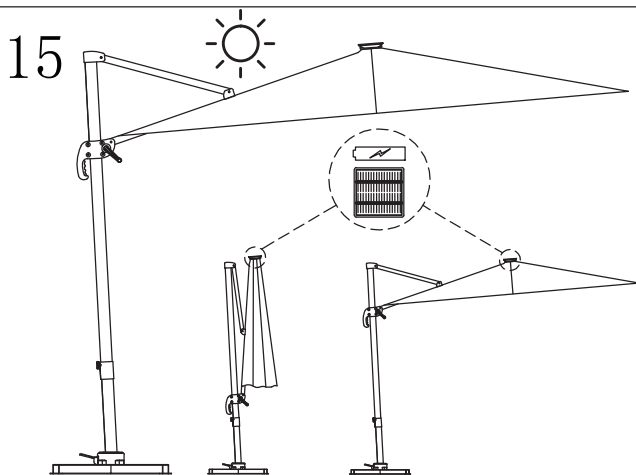
3







Please connect the solar panel well to charge the parasol.



Caution, there is a battery in the solar panel.