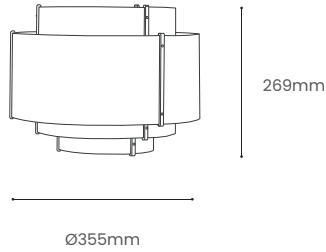


LEVEN DRUM PENDANT

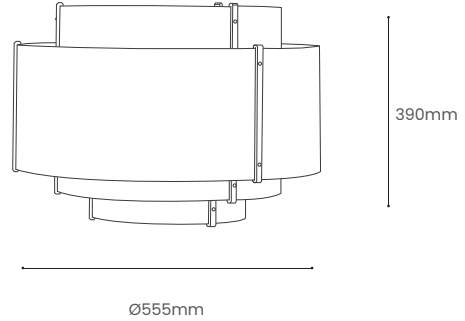
Tom Raffield

Product Specification

Leven Drum Pendant



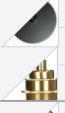

Leven Drum Pendant Large



Showcasing structural beauty. Inspired by the striking formations of smooth, sea-eroded cliff faces and ridged headlands that distinguish the north coast of Cornwall, the Leven Lighting Range effortlessly elevates space with its tiered drum aesthetic.

Meaning 'level' in Cornish, the Leven Drum Pendant is handcrafted using four tiers of curving oak or walnut timber that climb a central plywood frame summit. Secured at the seams with five brass accented rivets, each taut layer of sustainably sourced wood builds a balanced silhouette of careful craftsmanship. Use to illuminate hallways, living spaces and bedrooms alike, the Leven's timeless drum aesthetic creates versatile downlighting suited to a myriad of interiors.

Glow beyond. Elevate your interior.

Product Type : Pendant Light	SKU	Wood types	Dimensions L x W x H (mm)		Weight (kg)	
			Unboxed	Boxed	Unboxed	Boxed
Leven Drum Pendant	TR-LEVN-P-O	Oak	Ø355 x 269	470 x 465 x 325	0.52	
	TR-LEVN-P-W	Walnut				
Leven Drum Pendant Large	TR-LEVN-P-O-LRG	Oak	Ø555 x 390	615 x 615 x 490	1.15	
	TR-LEVN-P-W-LRG	Walnut				
Materials	Oak	Walnut	Other materials			
			Birch ply hanging disk and frame			
Finish	Non-toxic, hard wearing water based varnish - satin					
Wiring kit option : 1	Black ceiling rose and brass bulb holder		Ceiling kit	Flex	Recommended light bulb	
			Ceiling rose: Ø100mm E27 (240v) / E26 (110v)	Flex colour: black fabric Flex length: 2m (Adjustable)	Max 25W LED	
Wiring kit option : 2	Brushed steel ceiling rose and bulb holder		Ceiling kit	Flex	Recommended light bulb	
			Ceiling rose: Ø100mm E27 (240v) / E26 (110v)	Flex colour: light grey flex Flex length: 2m (Adjustable)	Max 25W LED	
Care information	Dusting your light regularly and with a light feather duster should keep your light looking clean, otherwise wipe with a damp cloth and remove any moisture with a dry cloth. Gentle furniture polishes can also be used.					
Additional information	<ul style="list-style-type: none"> This light can be used with your existing E27/E26 pendant fitting. Suitable for use on 240v and 110v circuits. A shade ring adaptor can be fitted so the light can be used on a bayonet (B22) pendant fitting. Installation instructions included. 					