

SPECIFICATION

Flush-mount adapter plate & trim combines MediaHub UHD connectivity panel with PowerHub USB-C for an all-in-one connectivity station for the hotel room. MediaHub plus PowerHub offers all the inputs your guests need to enjoy their own content from any mobile device through the in-room TV while providing conveniently located power and USB & USB-C outlets.

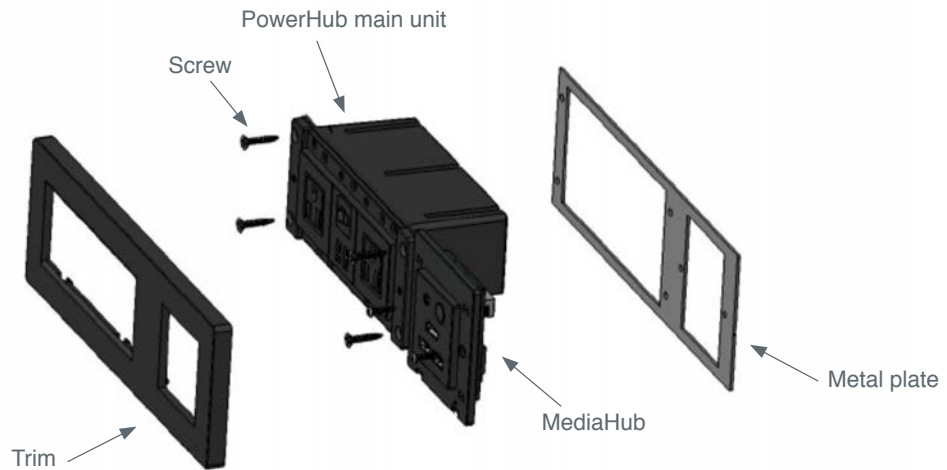
The MediaHub UHD Extender comprises of three separate parts, examples shown here include:

1. Extender Trim: CKIT-MHMC-EXTB (Black)
2. MediaHub UHD: TA-3360-A-L0
3. PowerHub USB-C: TA-7540US

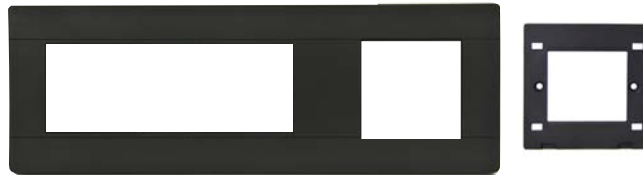


- The Extender Trim & adapter plate combine MediaHub UHD and PowerHub USB-C for a complete multimedia connectivity station for the guest-room.
- MediaHub UHD provides Audio / Video and USB Charging connections for guest devices (Laptops, Tablets, Smartphones, Game Consoles and more), including HDMI, Audio, and Bluetooth Wireless Audio.
- PowerHub presents USB & USB-C charging and two easy-to-find guest-facing US power outlets.
- Designed to flush-mount into case-goods.
- Prevents guests tampering with existing TV connections and fixture wall plugs.
- Includes mounting plate and screws.
- MediaHub and PowerHub panels sold separately. Parts will arrive separately and not pre assembled.

SPECIFICATION

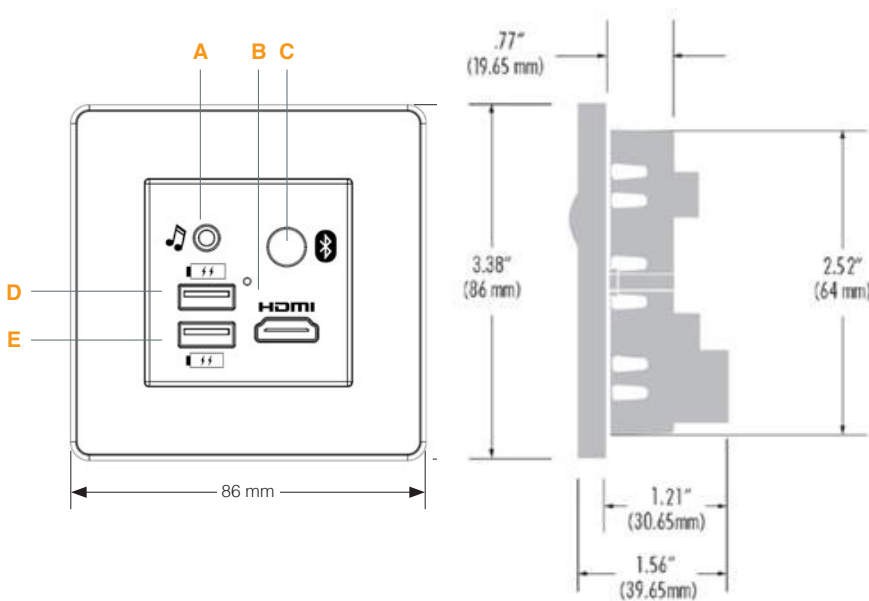


- MediaHub Mini Extender Trim
CKIT-MHMC-EXTB Mini-Clip Extender
Trim Kit, rubbery black
+ Carrier, 50mm module slots



- MediaHub UHD

The MediaHub UHD provides guests with the most important, and universally accepted mobile connections to charge and play. Guests can use the USB to charge their mobile devices. Bluetooth pairing means that your guests can listen to their music over the TV speakers without docking, providing the freedom to roam and multi-task. The HDMI supports 4K and is the universal method for connecting mobile phones, tablets, laptops and gaming consoles to HDTV's.



MediaHub UHD Front Ports

- A Mini Stereo Jack
- B HDMI 2.0 port
- C Bluetooth Audio Pairing Point
- D High-Current 2.4Amp, 5 volt USB Charging Socket
- E High-Current 2.4Amp, 5 volt USB Charging Socket

Connection Requirements

- 1 HDMI port on the TV
- 1 AC/Mains Power Outlet

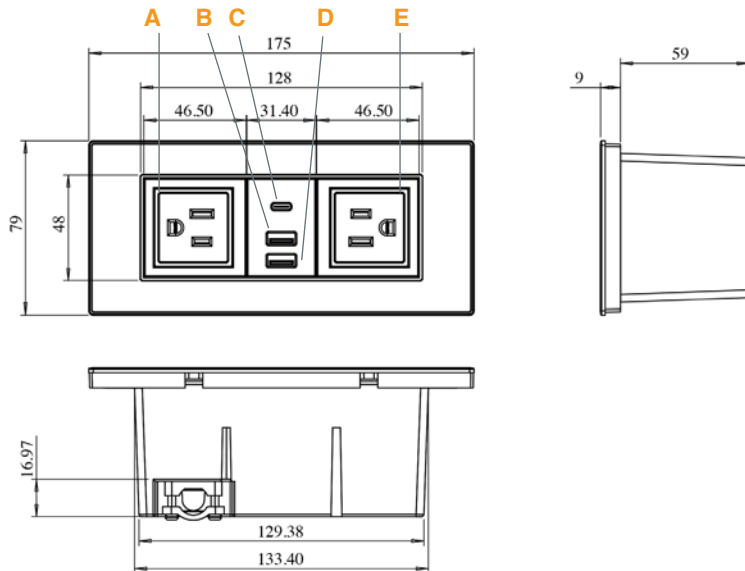
Cables & Power Supply Included

- 11.8' (3.5 m) HDMI cable
- 6 ft. (1.8 m) Power Supply.

SPECIFICATION

3. PowerHub USB-C

This fully-enclosed and corded product is designed to be mounted flush into furniture and case goods. PowerHub is fully UL compliant and includes Tamper Resistant Outlets. Designing guest-rooms and public spaces with easy to reach power with USB-A & USB-C charging ports has never been easier.



Built for Commercial Use

PowerHub is a commercial product, designed and built using quality materials to withstand daily use by hotel guests.

PowerHub Front Ports

- A** 125V Tamper Resistant Outlet, 10Amp
- B** Upper USB-A Port, 2.4Amp
- C** USB-C: 5V 3Amp,
- D** Lower USB-A Port, 2.4Amp
- E** 125V Tamper Resistant Outlet, 10Amp

Outside Bezel Dimensions

6.88" x 3.11" (175 x 79 mm)

Wall Cut-Out Dimensions

5.35" x 2.87" (136 x 73 mm)

Minimum depth 2.32" (59mm)

Installation cut sheet is available on request

Certifications

UL962A Approved

2m (6.5ft) Fixed Power Cord

With pass-through plug (US AC Models Only)

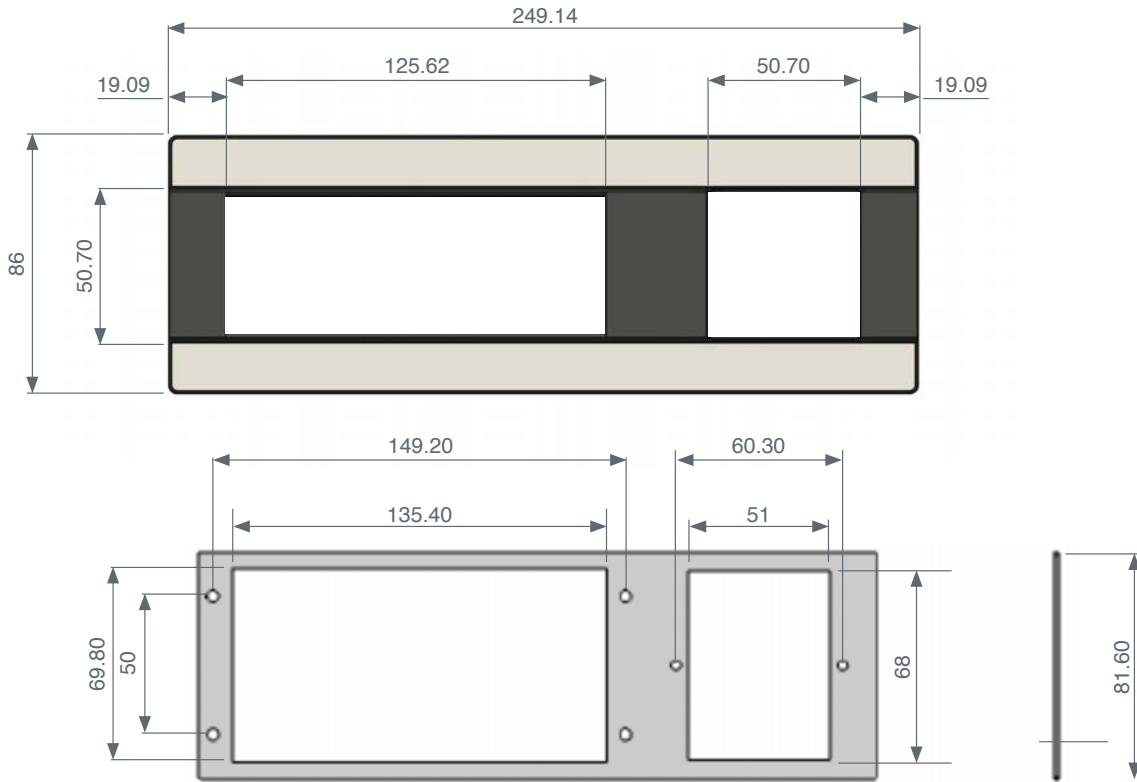
International plug configuration models use standard mains power plug. Different lengths available by request.

Other trim color options are available

Nickel, Stainless, Champagne, Brass and Bronze.

- Output:
 - 2 x USB-A: 5V 2.4Amp
 - 1 x USB-C: 5V 3Amp,
 - 2 x US TR Sockets 125Vac / 10Amp
- Built-in Circuit Breaker to reset automatically
- Over Current Protection
- Over Temperature Protection
- Over Voltage Protection
- Short Circuit Protection
- Smart Charger
- Cable Drop Compensation

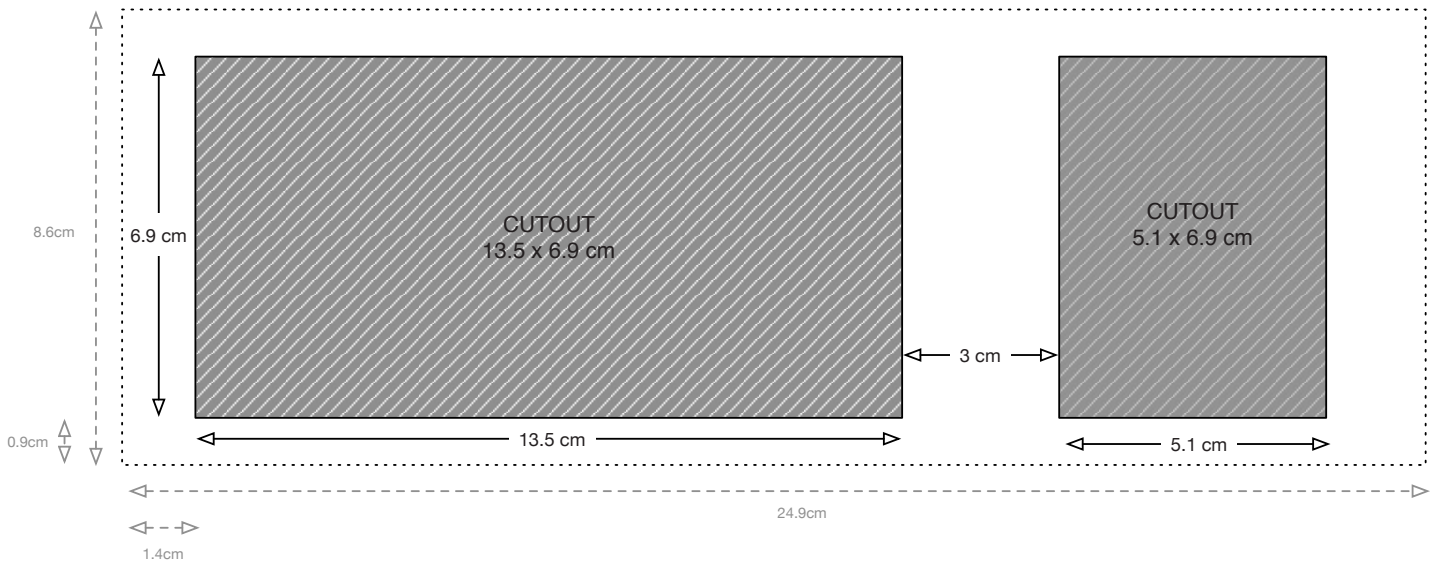
SPECIFICATION



Step 1.

Transfer the dimensions from the Guide Plate shown below, or use the physical Guide Plate itself to trace the cutout size onto the surface of the material to cut. The plate is NOT REVERSIBLE - make sure the PowerHub is on the LEFT and the MediaHub is on the RIGHT. The trim has notches for removal that need to face downward - so they are unseen.

Extent of trim (approx.), NOT TO SCALE



SPECIFICATION

Step 2.

Cut material

Step 3.

Insert PowerHub and MediaHub into the Guide Plate.

Step 4.

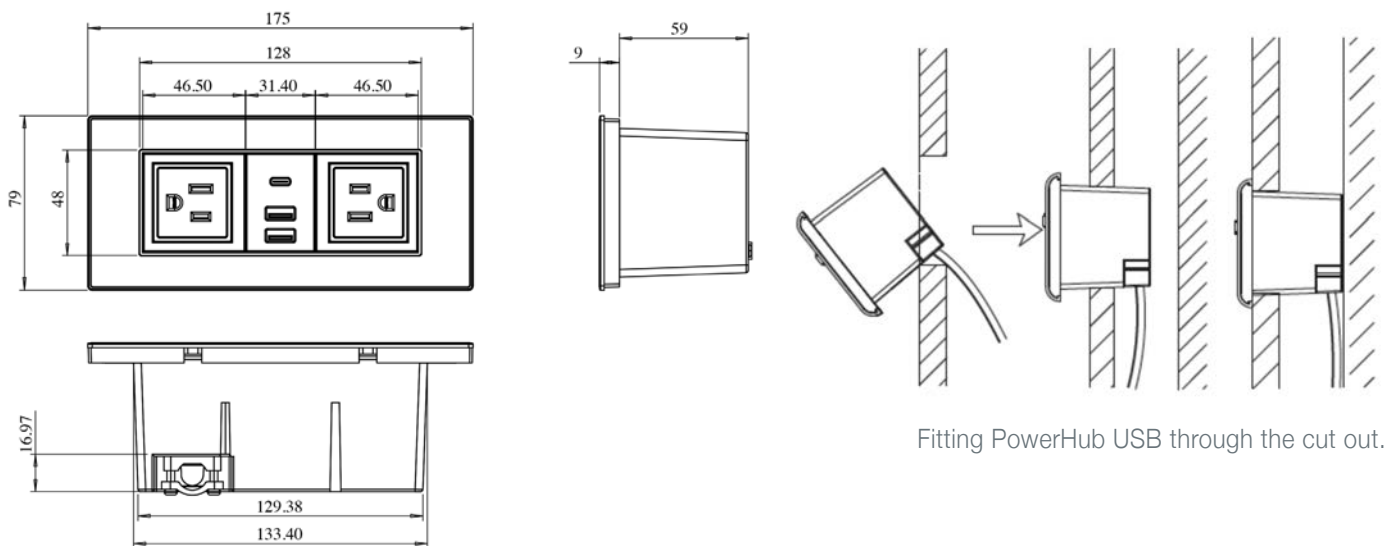
Pass the cables required for MediaHub Mini installation through the opening in the material (from rear to front) and connect to the rear of the MediaHub. The power and HDMI cables are required, RS232 and USB cables are optional (see MediaHub Mini Install Guide). Ensure cable length is adequate to reach a power outlet and to reach the HDMI port on the TV.!

Step 5.

Pass the power cables for the PowerHub through the opening in the material. Ensure cable length is adequate to reach a power outlet. For TA-7500 models - an Ethernet cable will also need to be passed through the opening and connected to the back of the PowerHub. For more information on the various PowerHub models available see the PowerHub Installation Guide.

Step 6.

With the PowerHub and MediaHub installed into the Guide Plate, push then entire assembly into the holes in the material. Lean the PowerHub on the bottom of the cutout in the furniture and push it into the cutout by rotating it slightly.



Step 7.

Fasten the PowerHub and the MediaHub to the wood material - using the wood screws provided. Ensure the screws pass through the PowerHub and MediaHub and through the Guide Plate. Depending on the material, its suggested to drill pilot holes for the screws.

Step 8.

After the assembly is fully fastened, the plastic trim snaps on. If trim removal is required, insert a flat head screwdriver into the notches on the bottom of the trim and to pry it off.