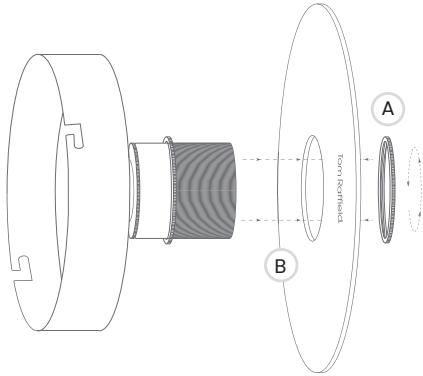
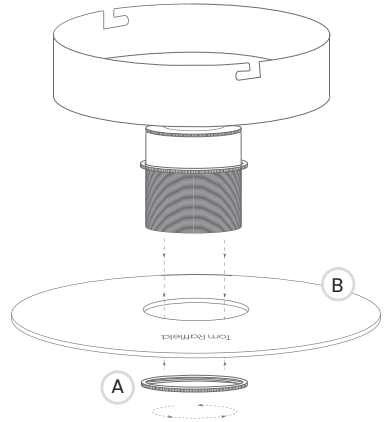


# Flush Fitting Light Installation Instructions

## Wall Light



## Ceiling Light



**Only qualified persons should assemble the luminaire. If in doubt, consult a suitably qualified person. Installation MUST be carried out in accordance and compliance with current building regulations.**

All Tom Raffield Flush Fitting shades have been designed to fit the E27/ES (Edison Screw) ceiling/wall kit provided. Connect the lamp holder (A) to the electricity supply (**220-240V AC 50-60Hz**). This must be installed by a qualified electrician before following the instructions below.

**Ensure the electrical supply is turned OFF at the fuse board.**

1. To fit the lampshade to the flush ceiling/wall kit, unscrew the first shade ring (A) exposing the thread of the lamp holder. Sandwich the wooden disk (B) of the lampshade between both shade rings and tighten to ensure the shade is held securely.
2. Screw in your chosen light bulb. The lampshade has been designed to work with an **LED** bulb, up to a maximum of **25 Watts**.
3. Turn the power supply on to complete installation.