

# EMBER SERIES

## 56CM COMPRESS KETTLE BRAAI

### Assembly & operating instructions



This instructions manual contains important information necessary for the proper assembly and safe use of the appliance.

Read these instructions and warnings carefully so as to familiarize yourself with the appliance before operating the appliance.

Keep this manual for future reference.

**megamaster™**  
TOGETHER, MADE BETTER™



#### Questions, problems, missing parts?

Before returning to your retailer, call our Customer Service Department at Tel: +27 (12) 802 1515, CAT, Monday - Thursday 07:30 - 17:00 and Friday 07:30 - 14:00

Or send us an E-mail at [service@megagroup.co.za](mailto:service@megagroup.co.za) or visit us online at: [www.megamaster.co.za](http://www.megamaster.co.za)

# THIS MANUAL IS DESIGNED TO FIT INTO THE BOTTOM DRAWER, BUT THAT'S NOT WHERE IT BELONGS

We get it. You've just unboxed your **Megamaster Ember Series 56cm Compress Kettle Braai** and you can't wait to fire it up. Those steaks, fish, vegetables and everything else you could possibly imagine certainly aren't going to braai themselves.

At Megamaster, we believe anything worth doing is worth doing well. That's why, as with all of our products, we've put a lot of thought and effort into this user manual. It really is the first step towards making your time with friends, family and flavour truly better.

Manufactured in China. Distributed by Megamaster  
+27(0)12 802 1515 PO Box 15, Woodlands, 0072, South Africa  
[www.megamaster.co.za](http://www.megamaster.co.za)

***megamaster***  
TOGETHER, MADE BETTER

At Megamaster, we understand that the warmth of the flames is really the warmth of human connection. And that the more we kindle it, the brighter it burns. Times may change. Technology may come or go. But there will always be one real and meaningful place for us to gather. For hugs. For smiles. For literally laughing out loud. Where our hearts and minds are free because we have everything we truly need.

We believe that, in those moments, it's more than a braai. It's a celebration. ***It's together, made better.***

Safety Instructions - - - - -	3
Part List - - - - -	4
Assembly Instructions - - - - -	7
Component View - - - - -	10
Operating Instructions - - - - -	11
Care and Maintenance - - - - -	11
Warranty - - - - -	12



- This Braai will become very hot, do not move it during operation!
- Do not use indoors!
- Do not use spirit or petrol for lighting or re-lighting!  
Use only firelighters complying to EN 1860-3!
- Keep away from children and pets!



## **WARNING**

Outdoor use only. **DO NOT** use braai indoors or in an enclosed or non-ventilated area.

Keep a fire extinguisher near this product at all times.

Household use only. **DO NOT** operate this braai for other than its intended use.

Some parts of this braai have been pre-oiled at the factory. Please burn off the oils before cooking.

Do not wear loose clothing when using braai or allow hair to come in contact with braai.

Never use braai on a wooden surface or other flammable surfaces. Use braai only on a hard, stable surface that can support the braai's weight.

Keep 3 meters of clearance between braai and any combustible materials when braai is in use (including, but not limited to bushes, shrubs, trees, leaves, grass, wooden decks or fences, buildings, etc.).

Keep braai away from gasoline and/or other flammable liquids, flammable gases, flammable vapors, or areas where these may be present. Do not store or use braai in these areas.

In windy conditions, place in an outdoor area that is sheltered from wind.

Keep out of reach of children and pets, store out of reach of children when not in use.

When moving or lifting braai, use caution to avoid back strains or injuries.

Do not try to move or reposition braai while it is in use.

Do not use gasoline, kerosene, or alcohol to light charcoal. Using any of these products (or similar products) could cause a flare up, flash fire, or explosion. Severe bodily injury could be result.

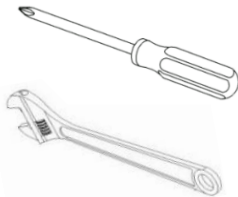
Do not add lighter fluid to warm or hot coals. A flash fire may result that could cause bodily injury.

Do not add instant light charcoal briquettes to an existing fire. A flash fire may result that could cause bodily injury.

Do not leave hot braai or hot coals and ashes unattended.

Allow the unit to cool completely before conducting any routine cleaning or maintenance.

**Tools Needed**



Some parts come with screws pre-installed. Loosen and tighten for final assembly.

**Hardware Package List**

A	B	C	D	E	F	G	H	I	J	K	L
M6x12	M6	M5x12	M5	Ø6xØ12	Ø5	Ø6xØ19	M6x30	Ø6xØ19		M8	M8
4x	4x	2x	2x	6x	2x	4x	4x	4x	4x	2x	2x

“H” & “I” is pre-assemble in the grill

# PART LIST



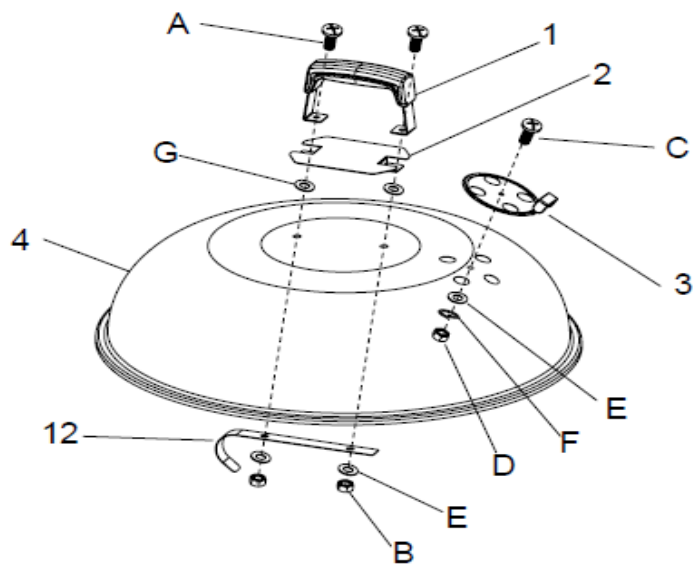
No.	Part Description	Warranty coverage (years)	QTY
1	Main lid handle	1	1
2	Handle mounting plate*	1	1
3	Lid vent	1	1
4	Main lid	1	1
5	Cooking grate	1	1
6	Charcoal grate	1	1
7	Bowl	1	1
8	Bowl handle	1	1
9	Short leg	1	2
10	Wheel	1	2
11	Wheel cover	1	2
12	Lid hook	1	1
13	Leg seat	1	4
14	Charcoal vent	1	1
15	Ash plate	1	1
16	Long leg	1	2
17	Bottom grate	1	1
J	Cooking grate support bracket	1	4
	Manual		1
	Hardware pack		1

# PART LIST

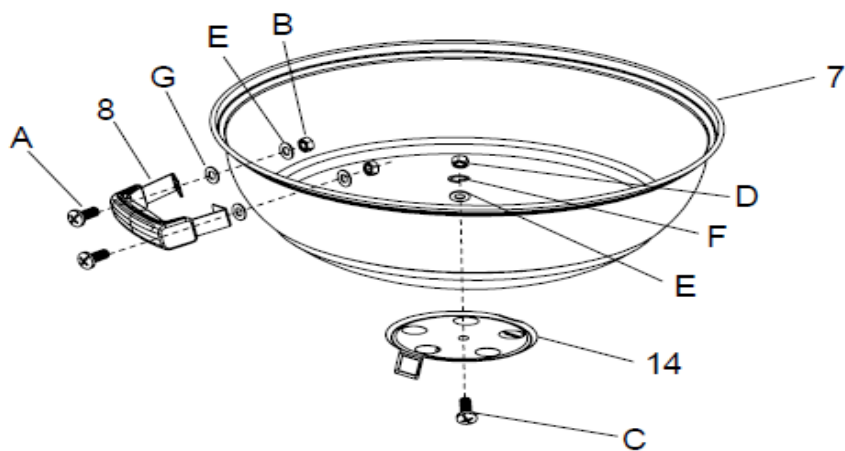


<b>1</b> 	<b>2</b> 	<b>3</b> 
<b>4</b> 	<b>5</b> 	<b>6</b> 
<b>7</b> 	<b>8</b> 	<b>9</b> (x2) 
<b>10</b> (x2) 	<b>11</b> (x2) 	<b>12</b> 
<b>13</b> (x4) 	<b>14</b> 	<b>15</b> 
<b>16</b> (x2) 	<b>17</b> 	

1

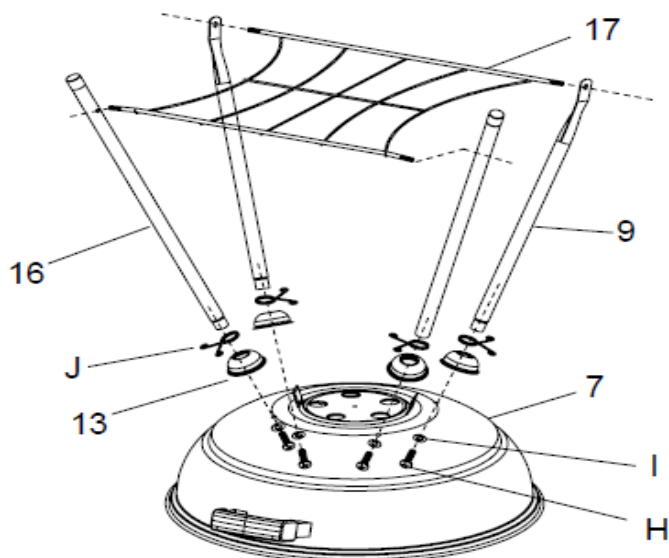


2

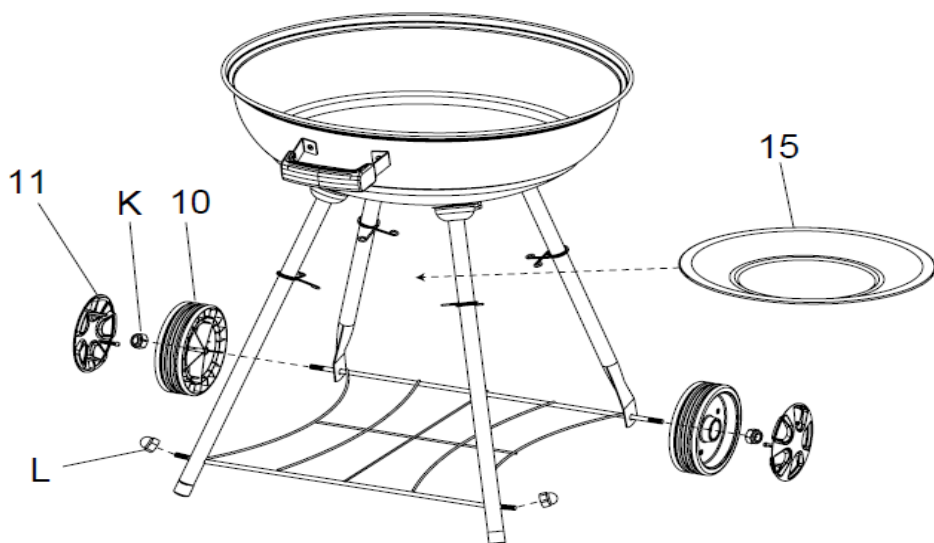




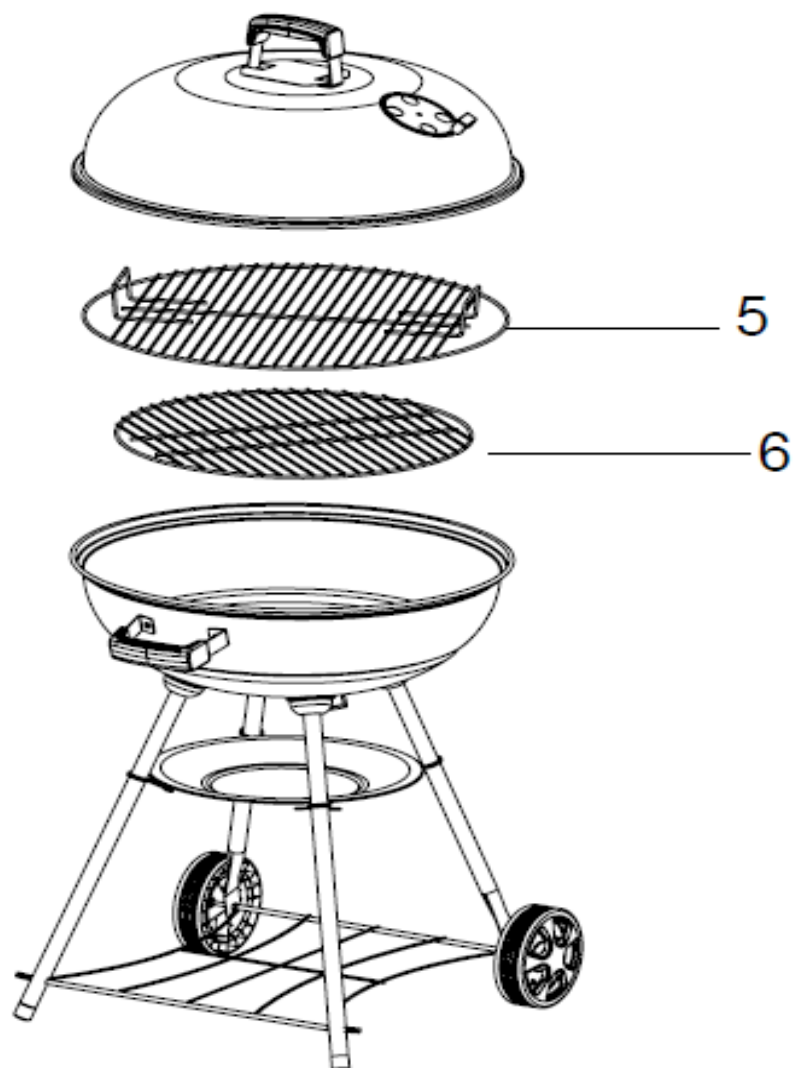
3



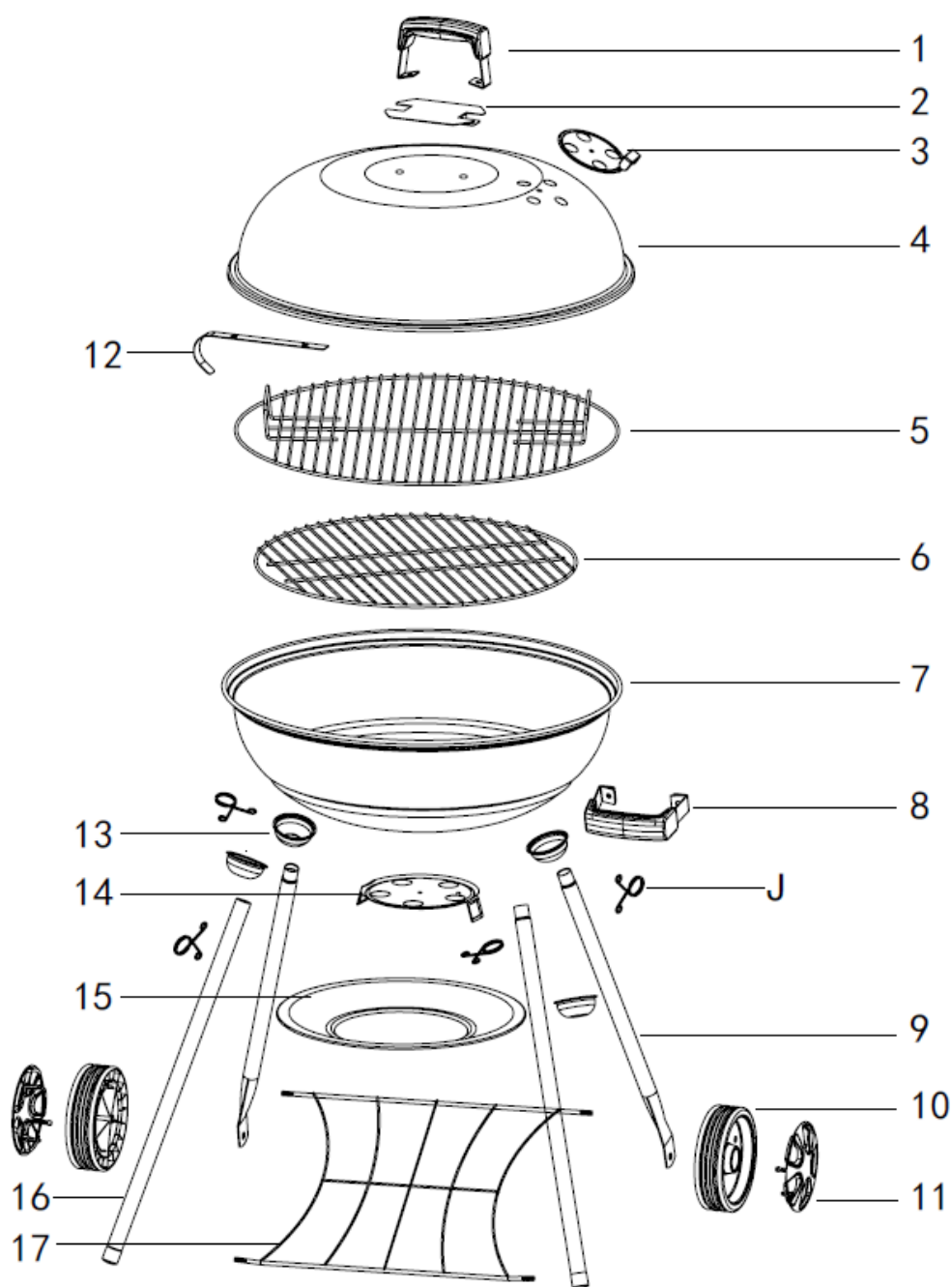
4



5



# COMPONENT VIEW





### **DANGER!**

#### **CARBON MONOXIDE HAZARD.**

Burning charcoal inside can kill you. It gives off carbon monoxide, which has no odor. NEVER burn charcoal inside homes, vehicles or tents.

### **WARNING**

Most surfaces on this unit are hot when in use. Use extreme caution. Keep others away from unit. Always wear protective clothing to prevent injury.

Keep away from children and pets.

Do not move this unit during operation.

Never substitute gasoline, kerosene or alcohol for charcoal starter. In this case, paraffin-based starter cubes can be substituted for charcoal starter. Never use charcoal starter fluid with an electric starter.

### **USING CHARCOAL**

Your charcoal braai is made to burn either charcoal briquettes or natural wood lump charcoal — both of which have different cooking attributes. Briquettes typically provide longer burn times than lump charcoal — but lump charcoal burns hotter than briquettes.

### **LIGHTING THE FIRE**

Remove the grid from the Charcoal Braai.

Add charcoal. Do not put more than 4 Kg of charcoal briquettes or lump charcoal into the pan.

– use charcoal lighters to start the fire, following directions supplied by the manufacturer of the fire lighters.

Allow the charcoal enough time to completely ash over before beginning to cook, so that the lighter fluid has enough time to burn off. Starting to cook too soon can leave your food tasting like lighter fluid. After ash-over is complete, use long-handled tongs to spread the charcoal into a single layer on the pan.

## CARE & MAINTENANCE

### **BRAAI MAINTENANCE**

Frequency of cleaning is determined by how often the braai is used. Make sure coals are completely extinguished and the grid is cooled down before cleaning inside of the unit. Use of a cleaning pad is recommended. To protect your grill from excessive rust, the unit must be properly cleaned and covered at all times when not in use. Wash cooking grill and charcoal grate with hot, soapy water, rinse well and dry. Clean inside and outside of grill by wiping off with a damp cloth. Apply a light coat of vegetable oil or vegetable oil spray to the interior surface to prevent rusting. Do not coat charcoal tray or charcoal ash tray. If rust appears on the exterior surface of your grill, clean and buff the affected area with steel wool or fine grit emery cloth, Touch up with a good quality high temperature resistant paint. Never apply paint to the interior surface. Rust spots on the interior surface can be buffed, cleaned, then lightly coated with vegetable oil or vegetable oil spray to minimise rusting.

# WARRANTY



The manufacturer warrants to the original consumer-purchaser only that this product (*Model Megamaster Ember Series 56cm Compressed Kettle Braai*) shall be free from defects in workmanship and materials after correct assembly and under normal and reasonable home use for the periods indicated below beginning on the date of purchase. The manufacturer reserves the right to require photographic evidence of damage, or that defective parts be returned, postage and/or freight pre-paid by the consumer, for review and examination. Megamaster obligation is limited to repair, replacement, or depreciated value, at the option of Megamaster.

• **1 year LIMITED warranty** (*\*Does not cover dropping, chipping, cracking, surface corrosion, scratches or rust.*)

Upon consumer supplying proof of purchase as provided herein, Manufacturer will repair or replace the parts which are proven defective during the applicable warranty period. Parts required to complete such repair or replacement shall be free of charge to you except for shipping costs, as long as the purchaser is within the warranty period from the original date of purchase. Reasonable proof of your date of purchase. The original consumer-purchaser will be responsible for all shipping charges of parts replaced under the terms of this limited warranty. This limited warranty is applicable in South Africa only, is only available to the original owner of the product and is *not transferable*. Manufacturer requires, you should retain your sales receipt and/or invoice. If the unit was received as a gift, please ask the gift-giver to send in the receipt on your behalf, to the below address. Defective or missing parts subject to this limited warranty will not be replaced without registration or proof of purchase. Missing parts needs to be reported within 7 days of purchase. This limited warranty applies to the functionality of the product **ONLY** and does not cover cosmetic issues such as scratches, dents, corruptions or discoloring by heat, abrasive and chemical cleaners or any tools used in the assembly or installation of the appliance, surface rust, or the discoloration of stainless steel surfaces. Surface rust, corrosion, or powder paint chipping on metal parts that does not affect the structural integrity of the product is not considered a defect in workmanship or material and is not covered by this warranty. This limited warranty will not reimburse you for the cost of any inconvenience, food, personal injury or property damage. If an original replacement part is not available, a comparable replacement part will be sent. You will be responsible for all shipping charges of parts replaced under the terms of this limited warranty.

## MANUFACTURER WILL NOT PAY FOR:

- Service calls to your home.
- Repairs when your product is used for other than normal, single-family household or residential use.
- Damage resulting from accident, alteration, misuse, lack of maintenance/cleaning, abuse, fire, flood, acts of God, improper installation, and installation not in accordance with electrical or plumbing codes or misuse of product.
- Any food loss due to product failures.
- Replacement parts or repair labor costs for units operated outside South Africa.
- Pickup and delivery of your product.
- Postage fees or photo processing fees for photos sent in as documentation.
- Repairs to parts or systems resulting from unauthorized modifications made to the product.
- The removal and/or reinstallation of your product.
- Shipping cost, standard or expedited, for warranty/non warranty and replacement parts.

## DISCLAIMER OF IMPLIED WARRANTIES; LIMITATION OF REMEDIES

*Repair or replacement of defective parts is your exclusive remedy* under the terms of this limited warranty. Manufacturer will not be responsible for any consequential or incidental damages arising from the breach of either this limited warranty or any applicable implied warranty, or for failure or damage resulting from acts of God, improper care and maintenance, grease fire, accident, alteration, replacement of parts by anyone other than manufacturer, misuse, transportation, commercial use, abuse, hostile environments (inclement weather, acts of nature, animal tampering), improper installation or installation not in accordance with local codes or printed manufacturer instructions.

THIS LIMITED WARRANTY IS THE SOLE EXPRESS WARRANTY GIVEN BY THE MANUFACTURER. NO PRODUCT PERFORMANCE SPECIFICATION OR DESCRIPTION WHEREVER APPEARING IS WARRANTED BY MANUFACTURER EXCEPT TO THE EXTENT SET FORTH IN THIS LIMITED WARRANTY. ANY IMPLIED WARRANTY PROTECTION ARISING UNDER THE LAWS OF ANY STATE, INCLUDING IMPLIED WARRANTY OF MERCHANTABILITY OR FITNESS FOR A PARTICULAR PURPOSE OR USE, IS HEREBY LIMITED IN DURATION TO THE DURATION OF THIS LIMITED WARRANTY.

Neither dealers nor the retail establishment selling this product has any authority to make any additional warranties or to promise remedies in addition to or inconsistent with those stated above. Manufacturer's maximum liability, in any event, shall not exceed the documented purchase price of the product paid by the original consumer. This warranty only applies to units purchased from an authorized retailer and/or re-seller.

If you wish to obtain performance of any obligation under this limited warranty, you should write to:

**Megamaster Customer Service**

**PO Box 15, Woodlands, 0072, South Africa**

*All consumer returns, parts orders, general questions, and troubleshooting*

*assistance can be acquired by calling +27 (12) 802 1515 or sending an e-mail to [service@megagroup.co.za](mailto:service@megagroup.co.za)*