


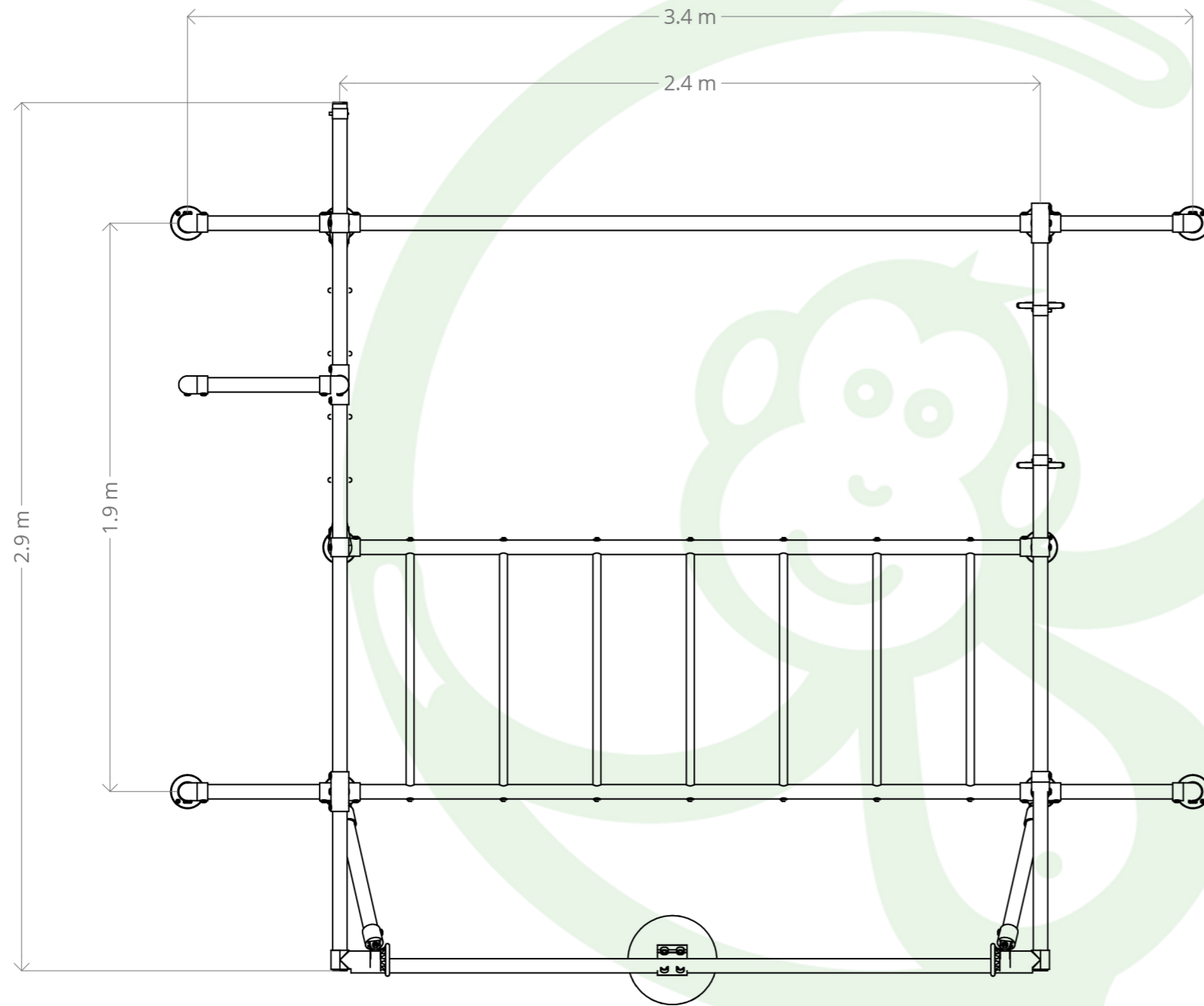
**FRONT VIEW**

A minimum of 2.0 Metres clear fall zone is recommended around the elevated hanging points of your Funky Monkey Bars®.

<b>THE CHEEKY LITTLE MONKEY</b>	
DWG NAME OVERALL DIMENSIONS	
VIEW PLAN VIEW	
Scale NOT TO SCALE	Date 17.08.2021



All Funky Monkey Bars designs are registered and protected under IP Australia certification. This design and drawings and any IP associated with it is the property of Funky Monkey Bars. It cannot be reproduced or edited in any form without permission from Funky Monkey Bars. This drawing is not be used for the installation or construction of a Funky Monkey Bars frame. Please refer to the product's Assembly Instructions.



**PLAN VIEW**

A minimum of 2.0 Metres clear fall zone is recommended around the elevated hanging points of your Funky Monkey Bars®.

**THE CHEEKY LITTLE MONKEY**

DWG NAME OVERALL DIMENSIONS	
VIEW PLAN VIEW	
Scale NOT TO SCALE	Date 17.08.2021



All Funky Monkey Bars designs are registered and protected under IP Australia certification. This design and drawings and any IP associated with it is the property of Funky Monkey Bars. It cannot be reproduced or edited in any form without permission from Funky Monkey Bars. This drawing is not be used for the installation or construction of a Funky Monkey Bars frame. Please refer to the product's Assembly Instructions.