

OWNER'S MANUAL

#51672 | #51673 | #51674 | #51675

Edora
52"

Indoor Ceiling Fan

Remote Control



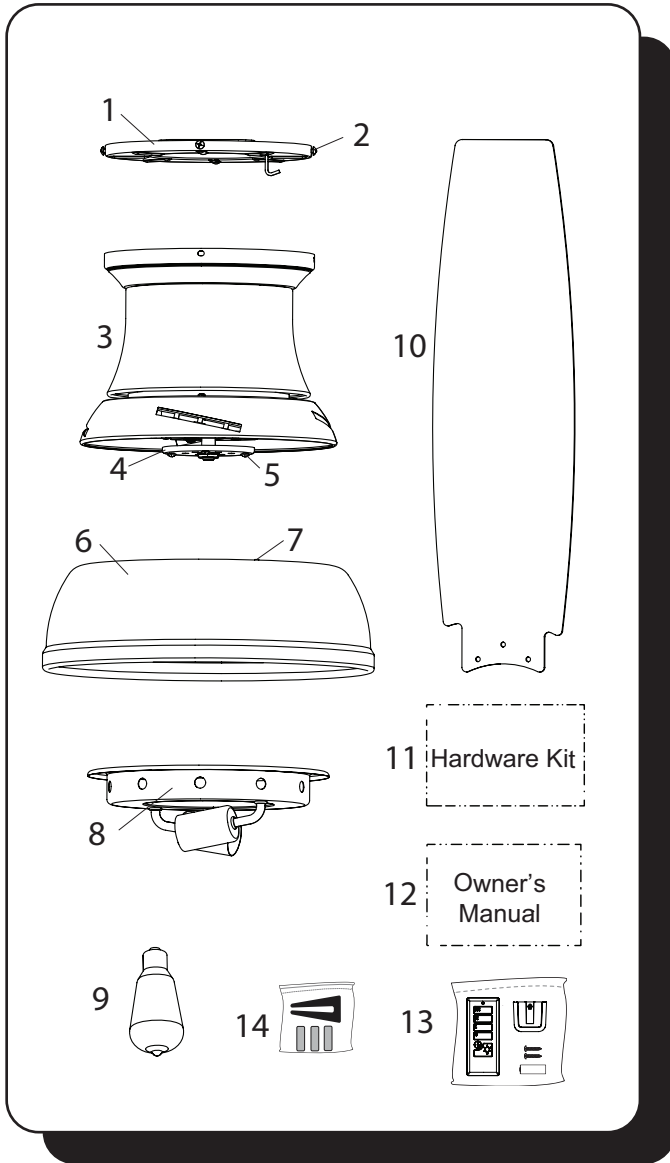
If a problem cannot be remedied or you are experiencing difficulty in installation, please contact the service department.

1-877-459-3267
8 a.m. - 5 p.m Central, Monday-Friday



Keeping You Cool Is What We Do Best!

PACKAGE CONTENTS



Unpack your fan and check the contents. You should have the following items:

PACKAGE CONTENTS

- | | |
|--------------------------------|---------------------------|
| 1. Mounting Bracket | 8. Light Kit |
| 2. Mounting Bracket Screw (x4) | 9. E26-base LED Bulb (x2) |
| 3. Motor Assembly | 10. Blade (x4) |
| 4. Fitter Plate | 11. Hardware Kit |
| 5. Fitter Plate Screw (x4) | 12. Owner's Manual |
| 6. Metal Shade | 13. Remote Pack |
| 7. Light Kit Screw (x3) | 14. Blade Balancing Kit |

HARDWARE CONTENTS

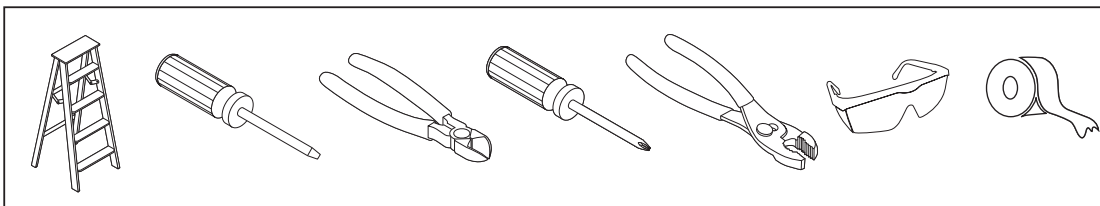
- | | |
|------------------------------|-----------------------------|
| AA. Wire Connector (x3) | KK. Support Washer |
| BB. Blade Screw (x12) | MM. Secondary Spring Washer |
| CC. Blade Washer (x12) | |
| JJ. Secondary Support Washer | |

Note: Some extra hardware has been included. The quantity listed above is the number required for installation.

HARDWARE CONTENTS



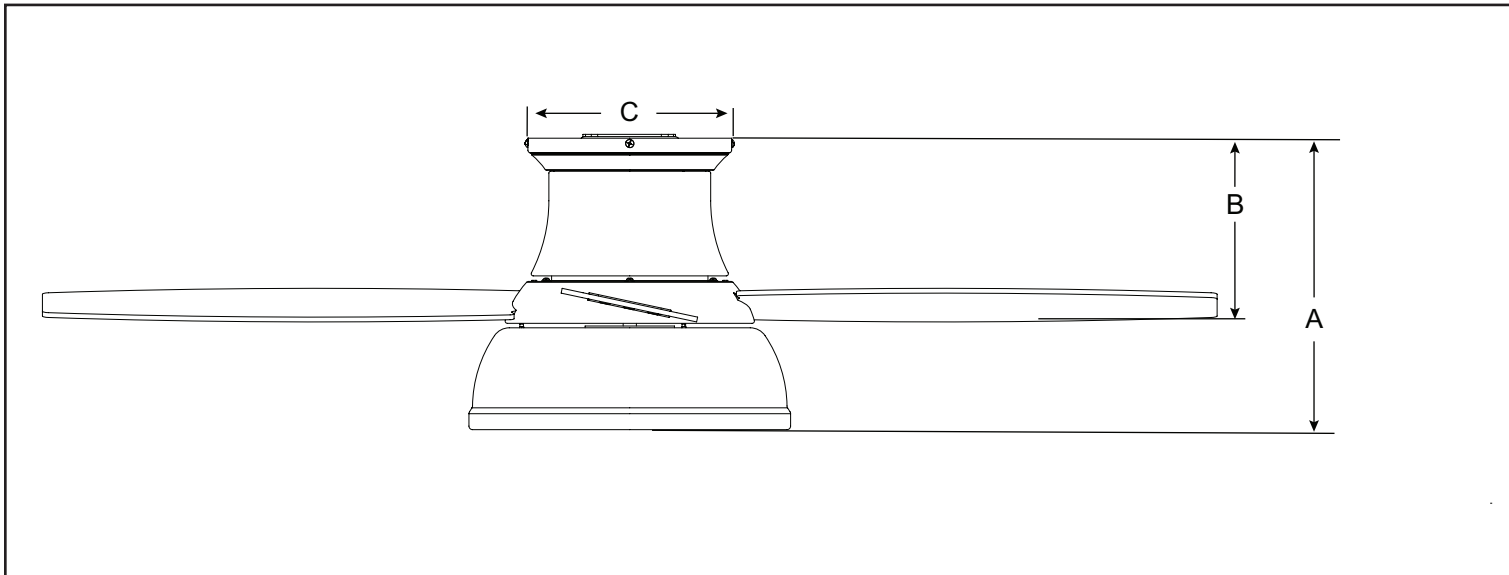
TOOLS REQUIRED (not included)



Tools required for assembly: Electrical tape, Phillips Screwdriver, Pliers, Safety Glasses, Step Ladder, Wire Cutters and Wire Strippers

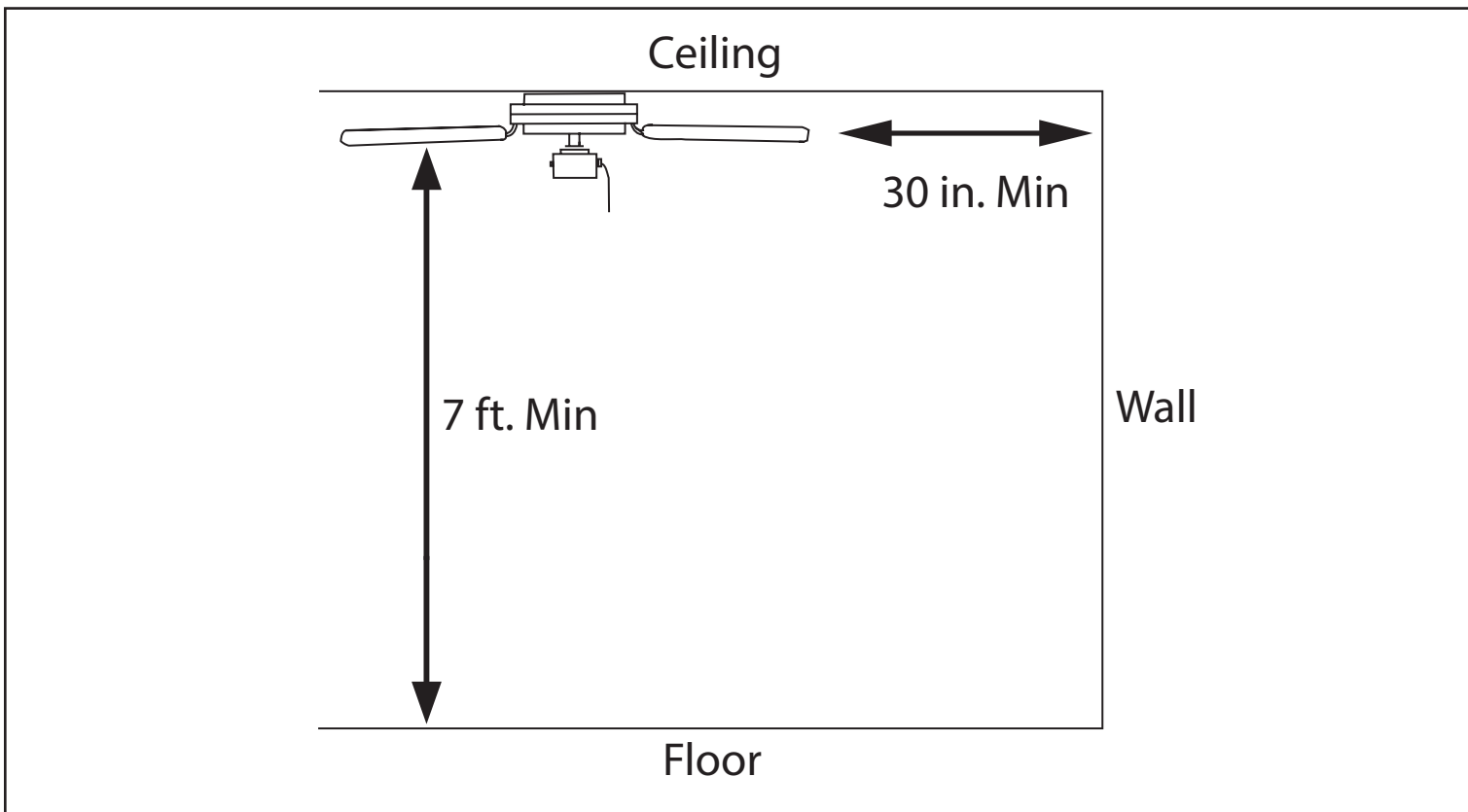
Helpful Tools: AC Tester Light, Tape Measure, and Wiring Handbook

DIMENSION REFERENCE



A. 12.91 in. B. 8.16 in. C. 8.98 in.

LOCATION FOR INSTALLATION



When selecting a location for installation, ensure the blades will be at least 30 inches from any wall or obstruction and at least 7 feet above the floor.

SAFETY INSTRUCTIONS

READ ALL SAFETY INFORMATION AND INSTALLATION INSTRUCTIONS BEFORE YOU BEGIN INSTALLING THE FAN AND SAVE INSTRUCTIONS.

CAUTION:

- All set screws of the fan must be checked and retightened where necessary before installation.
- To reduce the risk of personal injury, do not bend the blade brackets when installing the brackets, balancing the blades or cleaning fan. Do not insert foreign objects in between rotating fan blades.
- Before changing the fan direction, turn off the fan and wait for the fan blades to stop completely.
- The safeguards provided by these safety instructions and by the separate installation instructions are not meant to cover all possible conditions and situations that may occur. It must be understood that common sense, caution and care are factors which can not be built into this product. These factors must be supplied by the person(s) installing, caring for and operating the fan.
- The fan weight is Net Weight:19.25 lb (8,73kg). Be sure the outlet box (not included) is securely attached to the building structure and is marked "Acceptable For Fan Support". Failure to do so can result in serious injury.
- This device complies with Industry Canada license-exempt RSS standard(s). Operation is subject to the following two conditions: (1) this device may not cause interference, and (2) this device must accept any interference, including interference that may cause undesired operation of the device (if applicable).
- CAN ICES-005 (B) / NMB-005 (B)
- This device complies with part 15 of the FCC Rules. Operation is subject to the following two conditions: (1) This device may not cause harmful interference, and (2) this device must accept any interference received, including interference that may cause undesired operation.
- This equipment has been tested and found to comply with the limits for a Class B digital device, pursuant to Part 15 of the FCC Rules. These limits are designed to provide reasonable protection against harmful interference in a residential installation. This equipment generates, uses and can radiate radio frequency energy and, if not installed and used in accordance with the instructions, may cause harmful interference to radio communications. However, there is no guarantee that interference will not occur in a particular installation. If this equipment does cause harmful interference to radio or television reception, which can be determined by turning the equipment off and on, the user is encouraged to try to correct the interference by one or more of the following measures:
 - Reorient or relocate the receiving antenna.
 - Increase the separation between the equipment and receiver
 - Connect the equipment into an outlet on a circuit different from that to which the receiver is connected.
 - Consult the dealer or an experienced radio/TV technician for help.

Please note changes or modifications not expressly approved by the party responsible for compliance could void the user's authority to operate the equipment.

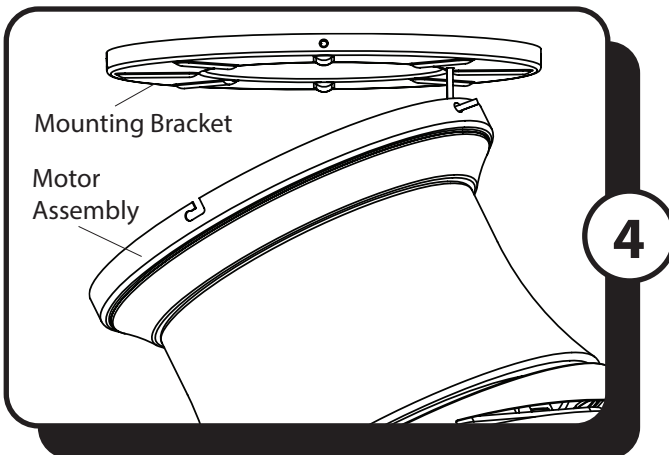
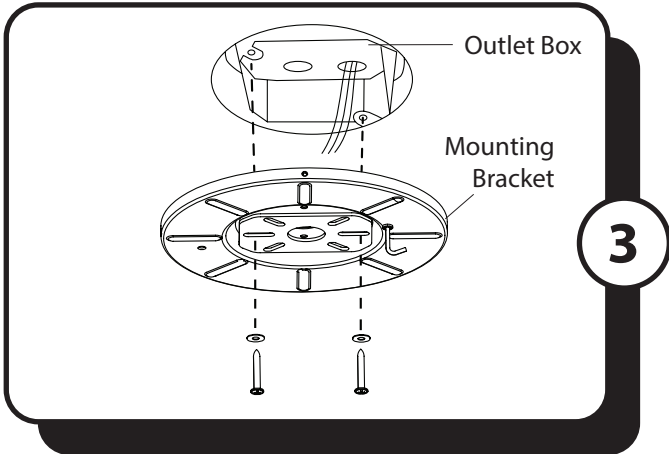
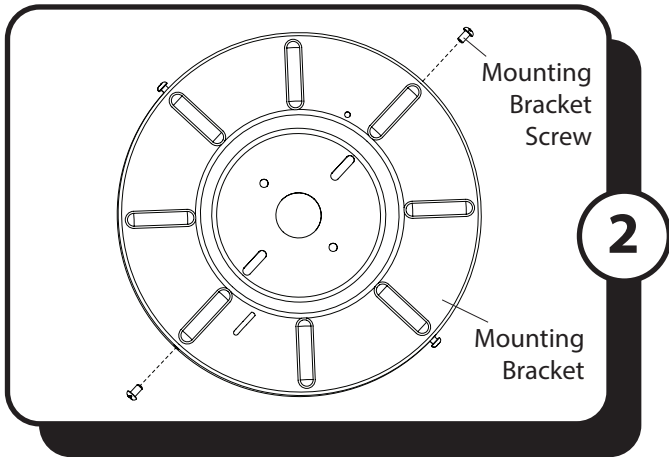
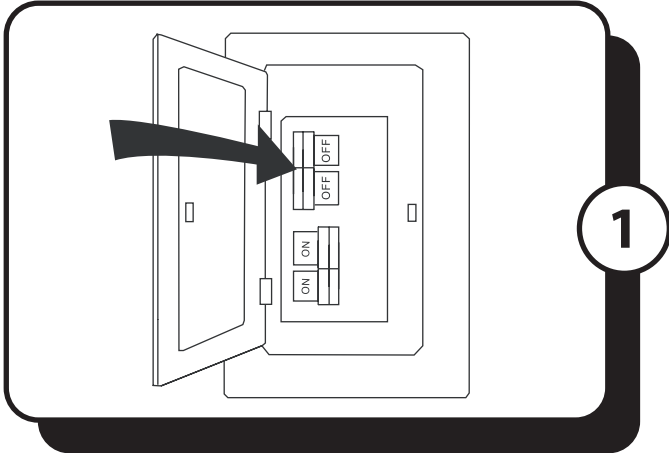
HKC-US
3350 Player's Club Parkway, #225
Memphis, TN 38125
1-877-706-3267

SAFETY INSTRUCTIONS

WARNING:

- To avoid risk of electric shock, be sure to shut off power at the main fuse or circuit breaker box before installing or servicing this fixture. Turning off the electrical power by using the light switch is not sufficient to prevent electrical shock.
- To reduce the risk of injury, install the fan so that the blades are at least 7 feet (2.1 Meters) above the floor and at least 18 inches (0.5 Meters) from the tip of the blades to the wall.
- To reduce the risk of fire, electric shock, or personal injury, mount to outlet box marked “acceptable for fan support” and use mounting screws provided with the outlet box.
- The installation has to be in accordance with the National Electrical Code, ANSI/NFPA 70-1999 and local codes. If you are unfamiliar with the methods of installing electrical wiring, seek the services of a qualified licensed electrician.
- Using a full-range dimmer switch to control fan speed will cause a loud humming noise from the fan. To reduce the risk of fire or electric shock, do NOT use a full-range dimmer switch to control the fan speed.

ASSEMBLY INSTRUCTIONS



1. Turn OFF the electrical power at the main fuse or circuit breaker.

DANGER: Failure to disconnect the power supply prior to installation may result in serious injury or death.

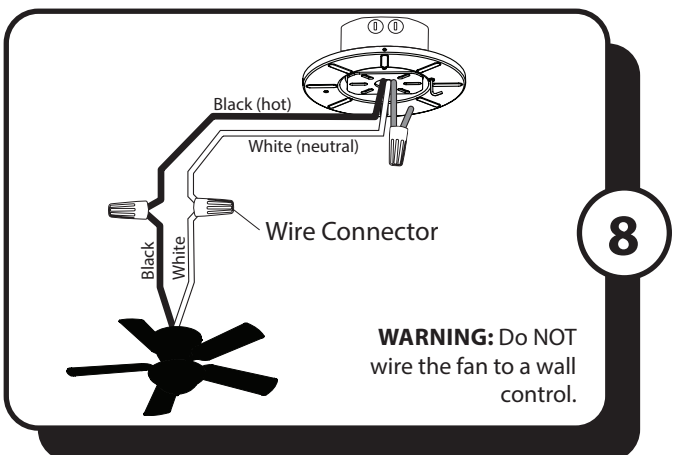
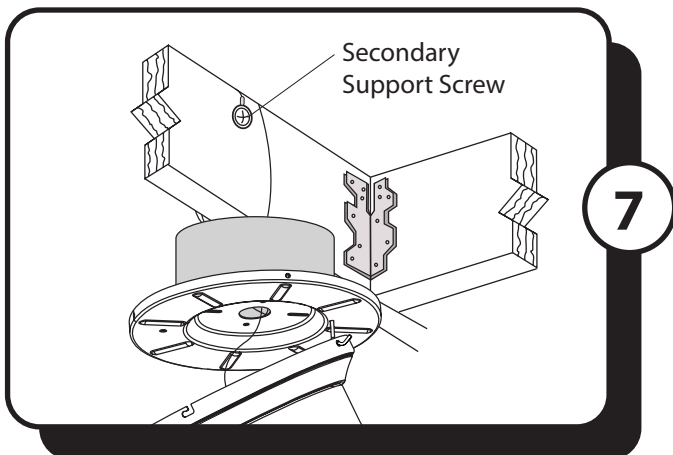
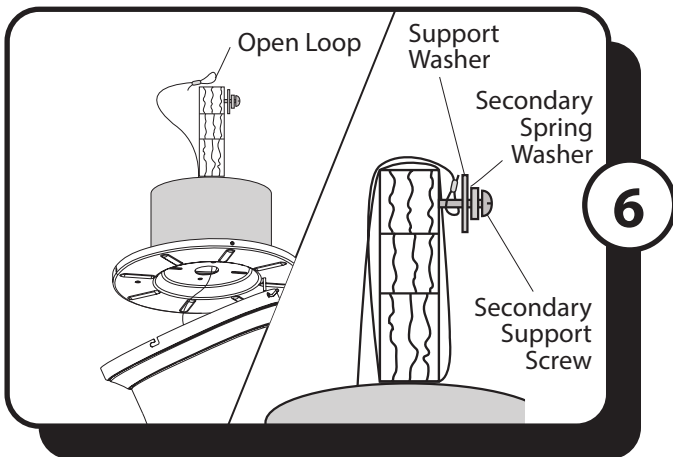
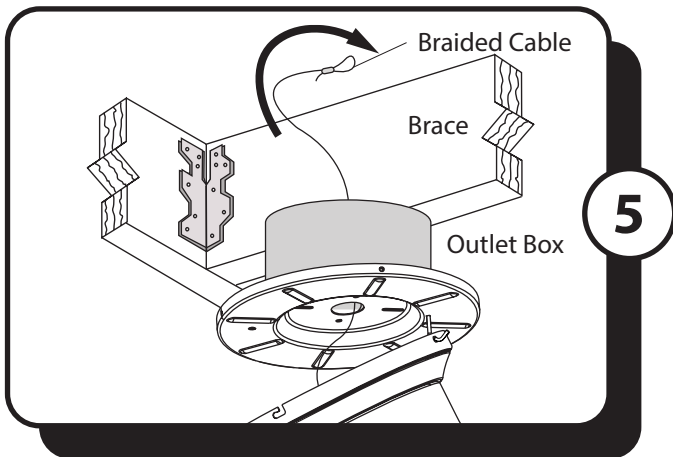
2. Loosen all four mounting bracket screws, then completely remove two mounting bracket screws from opposite sides of the mounting bracket.

3. Feed the supply wires from the outlet box through the center hole in the mounting bracket. Then, secure the mounting bracket to the outlet box (not included) using screws and washers provided with the outlet box.

WARNING: It is very important you use the proper hardware when installing the mounting bracket as it will support the fan.

4. Raise the fan and place top of the motor assembly on the hook on the mounting bracket, temporarily leaving hands free for the wiring process.

ASSEMBLY INSTRUCTIONS



SECONDARY HANGING SYSTEM

For installation in the United States: Building codes in the U.S.A. do not require installation of a Secondary Hanging System. If desired, the braided cable can be cut and removed using wire cutters (sold separately). *Skip to Step 8.*

For installation in Canada: In compliance with building codes in Canada, installation of the Secondary Hanging System is required.

5. Feed the loop of the braided cable, preassembled to the motor assembly, up through the outlet box mounted in the ceiling.

6. Install secondary support screw, secondary spring washer, and support washer partly into the side of the brace installed in the ceiling. Then lift the braided cable up and over the ceiling brace and place the open loop of the braided cable around the secondary support screw.

Note: The ceiling support brace may not be accessible from below. If not, it must be accessed from above.

Important: The braided cable must make a complete circle around the support brace to secure the fan.

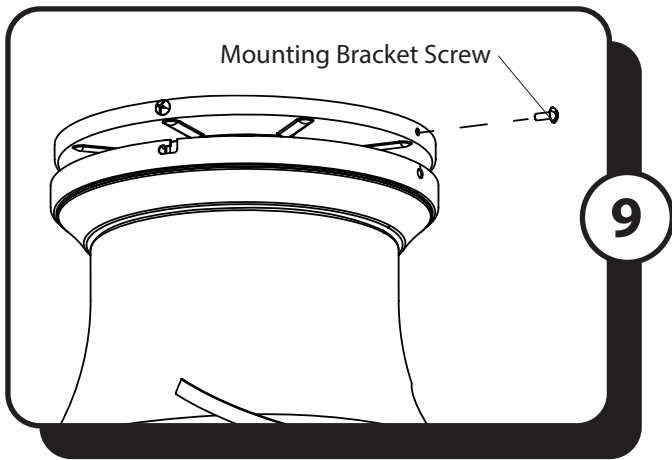
7. Tighten the secondary support screw securing the braided cable.

8. Connect supply and fan wires according to the diagram and these steps:

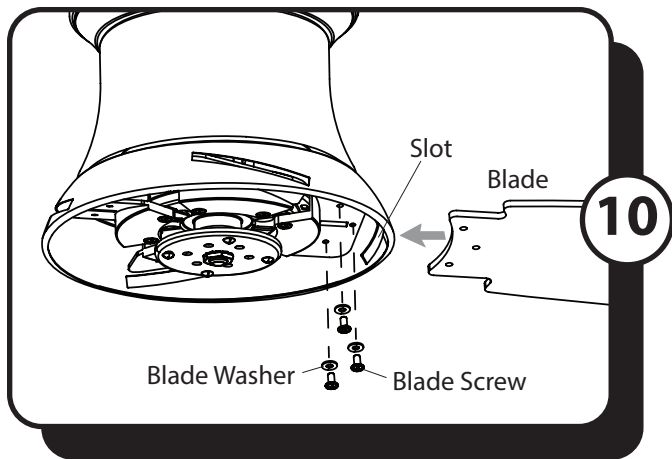
- Connect the Green wire from the mounting bracket to the Bare/Green (ground) supply wire.
- Connect the White wire from the fan to the White (neutral) supply wire.
- Connect the Black wire from the fan to the Black (hot) supply wire.
- Secure all wiring connections together with wire connectors.

Note: The Black wire is hot power. The White wire is neutral. The Green wire is the ground wire. If supply wires are different colors than referred to above, a professional electrician should determine the proper wiring.

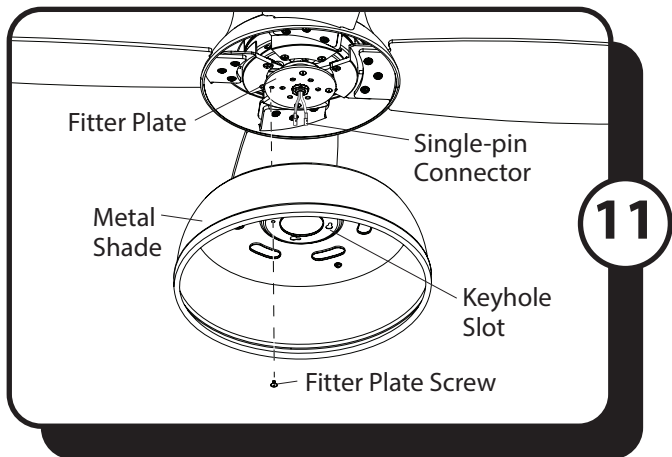
ASSEMBLY INSTRUCTIONS



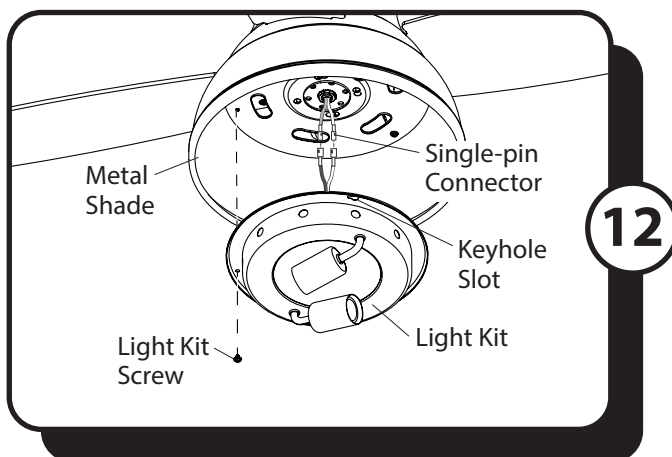
9. Slide the top of the motor assembly over the mounting bracket, aligning the slotted holes in the top of the motor assembly with the pre-loosened mounting bracket screws in the mounting bracket. Twist the motor assembly clockwise to lock. Then, re-insert the mounting bracket screws and securely tighten all screws.



10. Insert blade through slot in the side of the motor assembly. Align the holes of one blade with three blade screw holes in underside of the motor assembly. Secure with the three blade screws and blade washers. Repeat this step for the remaining blades.

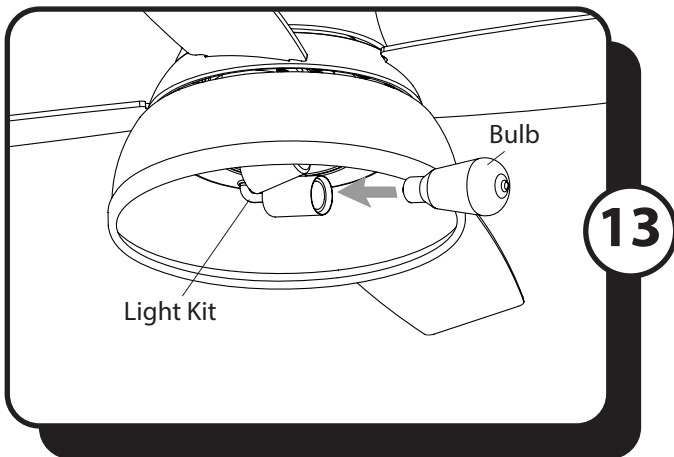


11. Remove one of the three fitter plate screws preassembled to the fitter plate and loosen the other three but do not remove. Feed the single-pin connector through the center hole in the metal shade. Align the keyhole slots in the metal shade with the loosened screws in the fitter plate. Turn metal shade clockwise and replace the previously removed fitter plate screw. Tighten all screws.



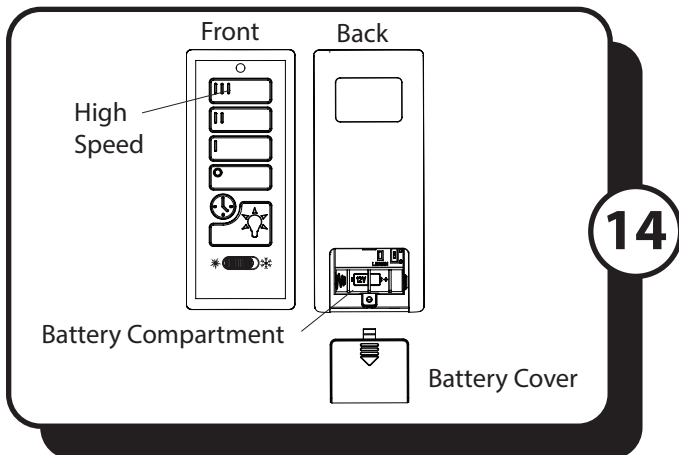
12. Remove one of the light kit screws preassembled to the metal shade and loosen the other two screws but do not remove. Connect the single-pin connectors from the fitter plate to the single-pin connectors from the light kit -- blue to blue and white to white. Align the keyhole slots in the light kit with the loosened screws in the metal shade. Turn light kit clockwise and replace the previously removed light kit screw. Tighten all screws.

ASSEMBLY INSTRUCTIONS



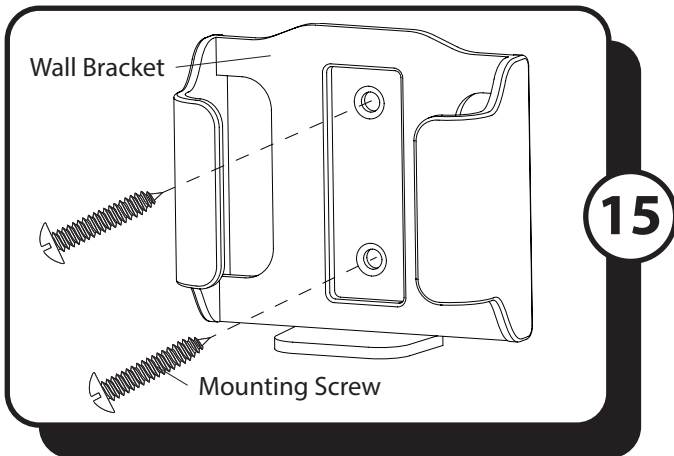
13. Install the E26-base LED bulbs into the sockets of the light kit.

Important: Make sure you allow the bulbs and light kit to cool before you replace the bulbs.

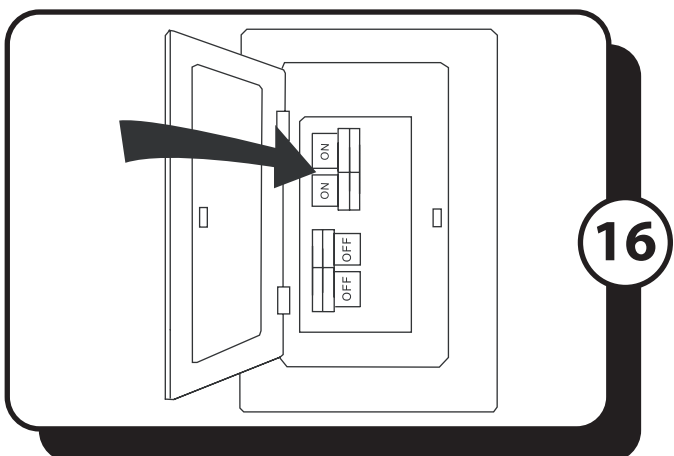


14. Remove the battery cover from the back of the remote found in the remote pack. Insert the battery from remote pack into the remote; ensure polarity of battery matches the polarity indicated in the battery compartment -- positive (+) to positive (+) and negative (-) to negative (-). Replace the battery cover and press the HIGH fan speed button on the remote to ensure the remote turns on the fan.

Note: If remote does not turn on fan, see page 11.



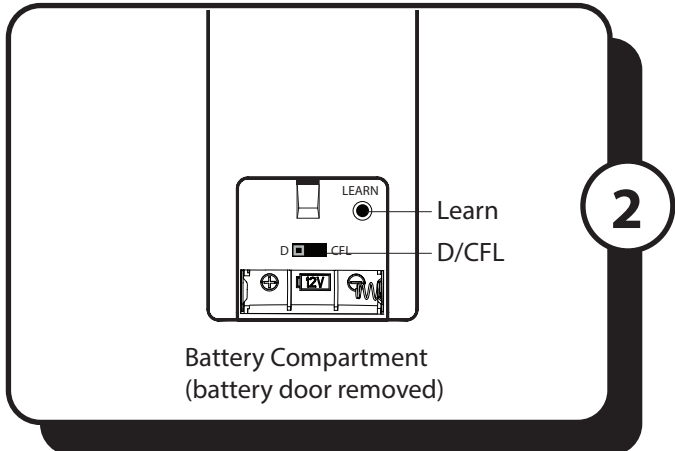
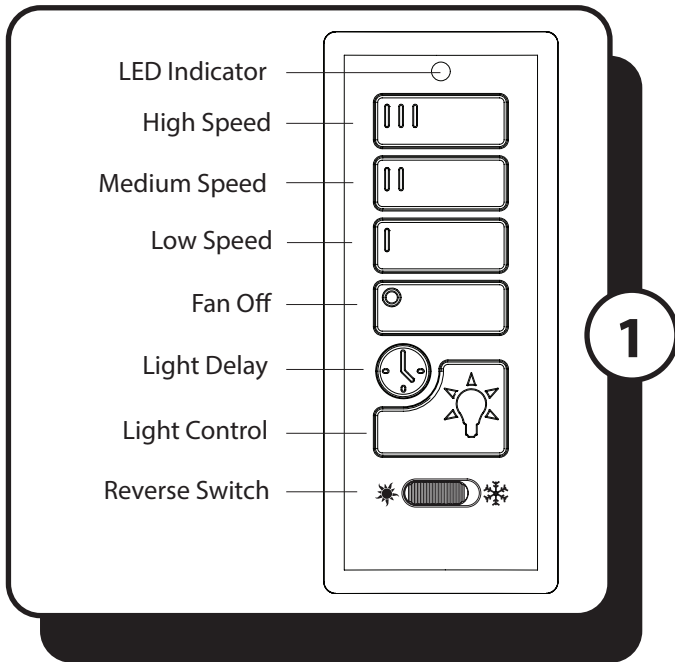
15. If desired, the wall bracket in remote pack can be installed to a wall using the provided mounting screws. Store the remote on the wall bracket when not in use.



16. Turn ON the electrical power at the main fuse or circuit breaker and the wall switch.

Installation is complete.

OPERATING INSTRUCTIONS



1. To operate the fan using the remote from remote pack, press and release the following buttons:

III - High speed

II - Medium speed

I - Low speed

Fan Off - Turns power off to fan.

Light Delay - Tap the light delay button, which will turn off the light after one minute. Tap the light control button to exit light delay mode.

Light Control - Tap the light control button to turn the light off and on. Press and hold light control button to dim or brighten the lights.

Reverse Switch - *In warmer weather*, push the reverse switch left toward sun icon, which will result in downward airflow creating a wind chill effect.

In cooler weather, push the reverse switch right toward the snowflake icon, which will result in upward airflow that can help move hot air off the ceiling.

Important: Wait for the fan to stop before moving the reverse switch. The reverse switch must be set either completely left or right in order for the fan to function correctly. If the reverse switch is set in the middle position, the fan will not operate.

LED Indicator - LED Indicator will flash for one minute as a reminder to replace the 12-volt battery.

2. Remove battery door from back off the remote to access the following:

D/CFL Switch - Switch should be set to "CFL" to correspond with standard non-dimmable bulbs; set to "D" for incandescent and other dimmable bulbs.

LEARN - Syncs remote to receiver (see troubleshooting for instructions).

TROUBLESHOOTING

If you have difficulty operating your new ceiling fan, it may be the result of incorrect assembly, installation or wiring. In some cases, these installation errors may be mistaken for defects. If you experience any faults, please check the Troubleshooting section below. If a problem cannot be remedied or you are experiencing difficulty in installation, please contact the Service Department: 1-877-706-3267, 8 a.m. - 5 p.m. Central, Monday - Friday.

PROBLEM

SUGGESTED REMEDY

WARNING: To reduce the risk of fire, electrical shock or personal injury, shut off the power supply to fan before you begin any maintenance tasks.

- | | |
|----------------------------------|---|
| 1. Fan does not start: | <ol style="list-style-type: none">1. Make sure that the wall switch is turned ON.2. Check main and branch circuit fuses or circuit breakers.3. Check all wire connections from household supply wires to the fan.4. Make sure forward/reverse switch pushed completely left or right. Fan will not operate when switch is in the middle. |
| 2. Fan is noisy: | <ol style="list-style-type: none">1. Make sure all screws in motor assembly are snug, but not overtightened.2. Make sure the screws that attach the blade to the motor are tight.3. Make sure wire connectors are not rattling against each other or against the interior wall of the light kit.4. Some fan motors are sensitive to signals from Solid State variable speed controls. DO NOT USE a Solid State variable speed control.5. Ensure fan does not wobble excessively (see Fan wobbles solutions below). |
| 3. Fan wobbles: | <ol style="list-style-type: none">1. Ensure the mounting bracket is tightened securely to outlet box and outlet box is mounted firmly to ceiling joist.2. Switch one blade with a blade from the opposite side. Or balance the fan using the blade balancing kit.3. If blade wobble is still noticeable, interchanging two adjacent (side by side) blades can redistribute the weight and possibly result in smoother operation. |
| 4. Light does not work: | <ol style="list-style-type: none">1. Check for loose or disconnected 9-pin and/or single-pin connectors in switch housing or light kit.2. Check for faulty light bulbs.3. Ensure total wattage of bulbs does not exceed 180 watts (for incandescent bulbs only). |
| 5. Remote control does not work: | <ol style="list-style-type: none">1. After installation is complete, switch the power off and back on again. Within 30 seconds, press and hold the "LEARN" button, located in the battery compartment, for 5 seconds. Fan will turn on at low speed and light off. This confirms that the SMART SYNC is active.2. Insert new 12V battery in battery compartment of the remote control.3. If there are several fans in proximity, turn power off to other fans and re-sync the remote (see Corrective Action 1 above). |

LIMITED LIFETIME WARRANTY

To obtain service, please contact the Service Department:
1-877-706-3267, 8 a.m. - 5 p.m. Central, Monday - Friday.

Model Name: 52" Ceiling Fan
Model No: 51672 - Light Green
51673 - Dark Blue
51674 - Pink
51675 - Matte Black

Set forth below, the manufacturer, Hong Kong China Electric appliance Company (HKC) warrants the fan motor for this ceiling fan to be free from defects in workmanship and material for the life of the product. Also, subject to the limitations below, HKC warrants all ceiling fan parts ("ceiling fan parts" excludes the motor and parts made in whole or in part with glass) to be free from defects in workmanship and material for a period of one year after the date of purchase by the original purchaser at retail.

All claims must be made by the original purchaser, whether such purchaser purchased the product through a store or contractor. Ceiling fan part defects must be reported within the first year from the date of purchase. Parts made in whole or in part with glass and the finishes of metal and other surfaces are not warranted.

Purchasers are responsible for all costs of removing and reinstalling the product. Any damage to any part caused by ordinary wear and tear, accident, misuse, or improper installation, is not covered by this warranty. HKC assumes no responsibility whatsoever for fan installation. Any service performed by a non-licensed electrician will render the warranty invalid.

HKC's sole responsibility shall be to repair or replace the motor, parts, or product within the terms stated above. HKC shall not be liable for any loss or damage of any kind, including any incidental or consequential damages resulting directly or indirectly, from any breach of warranty, express or implied, or any other failure of this product. Some states do not allow the exclusion or limitation of incidental or consequential damages so this limitation may not apply to you.

If the original purchaser ceases to own the fan, this warranty is voided.

Should the purchaser encounter a problem with your fan related to defects in workmanship or materials within the warranty period associated with the defective part, HKC agrees to replace the defective part without charge, or at its option, to replace the ceiling fan with a comparable or superior model.

HKC's warranties are limited to the written warranties set out in this HKC ceiling fan limited lifetime warranty. All other express and implied warranties, including, without limitation, the implied warranty of fitness for a particular purpose and the implied warranty of merchantability are disclaimed. Some states do not allow the disclaimer of implied warranties, so this disclaimer may not apply to you.