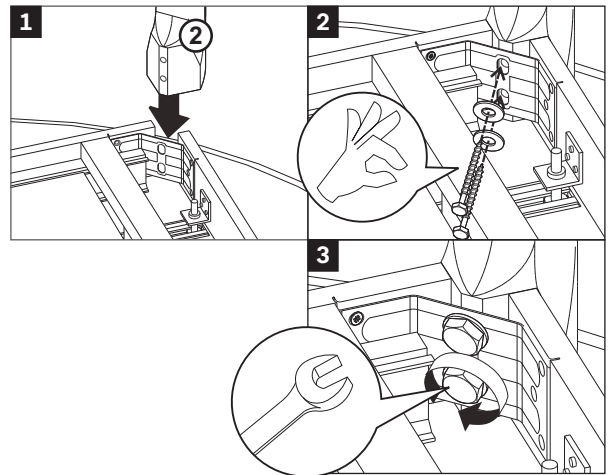
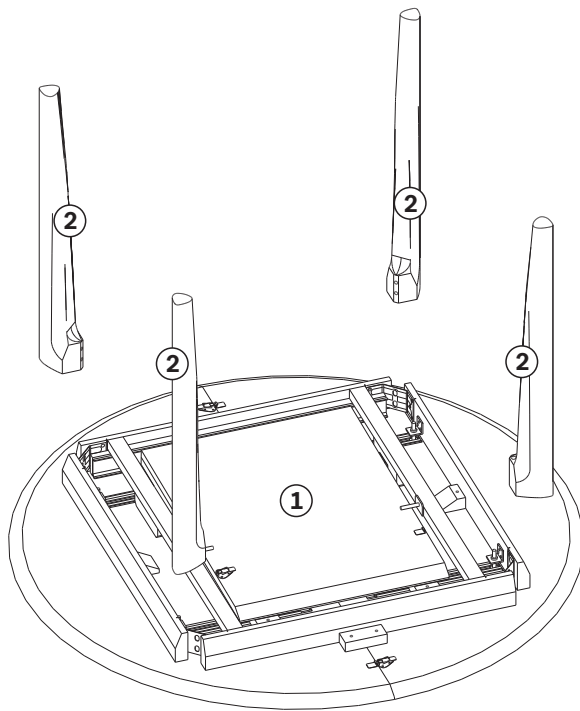




## 51527 OAK BOK ROUND EXTENDABLE DINING TABLE

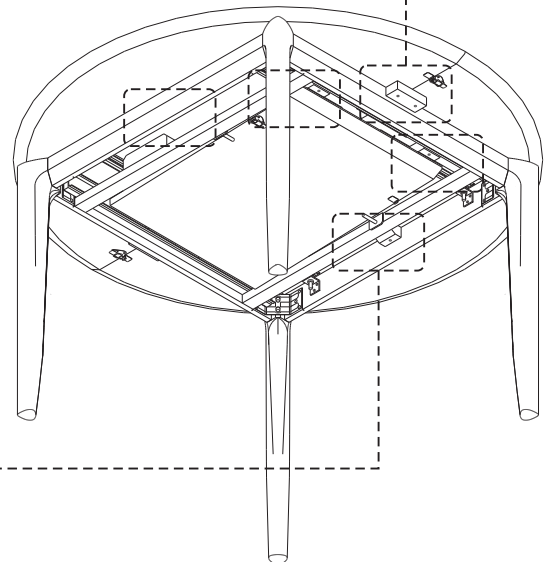
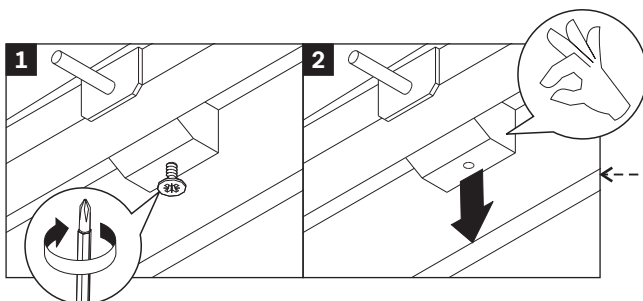
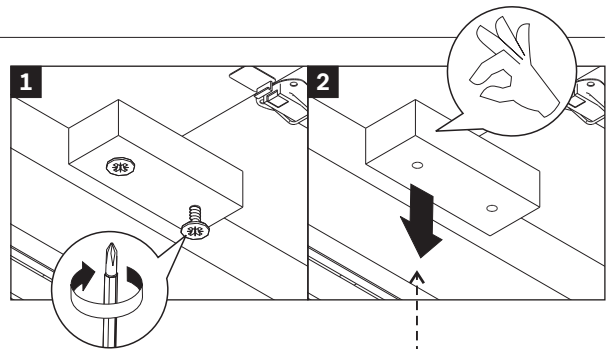
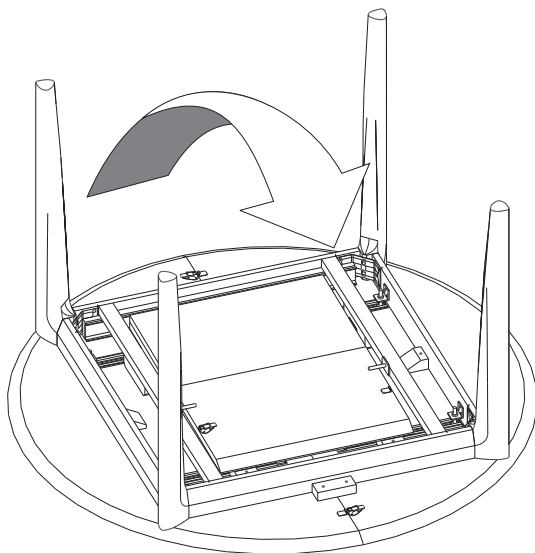
### ASSEMBLY INSTRUCTIONS FOR DINING TABLE INSTALLATION

#### A. INSTALLING THE LEGS TO TABLE TOP



- ! IMPORTANT :**
- USE WASHER M8
  - USE SCREW M8x80
  - TIGHTEN FULLY

#### B. REMOVING WOODEN PIECES



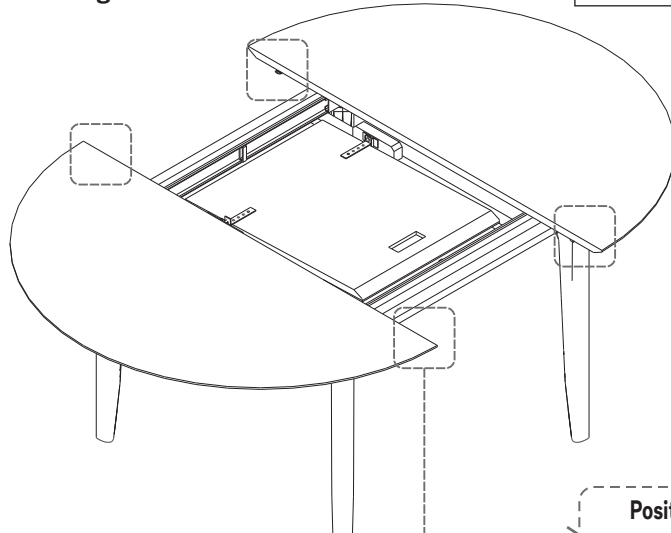
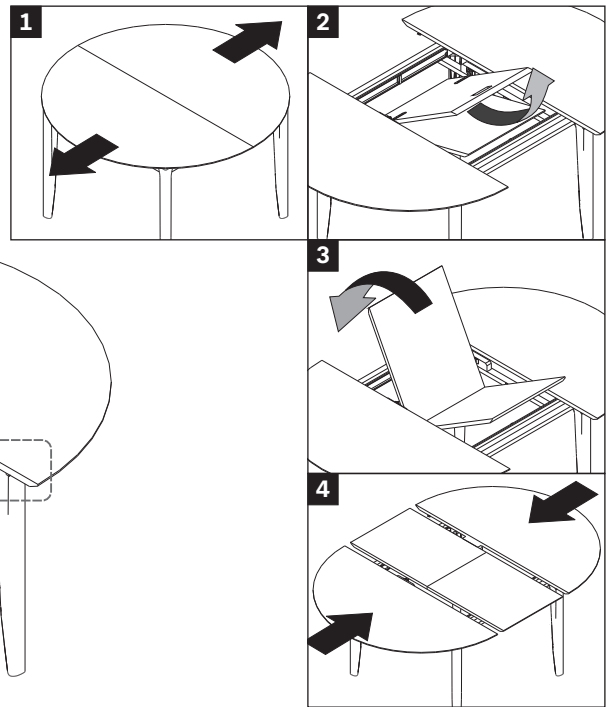
## 51527 OAK BOK ROUND EXTENDABLE DINING TABLE

### ASSEMBLY INSTRUCTIONS FOR DINING TABLE INSTALLATION

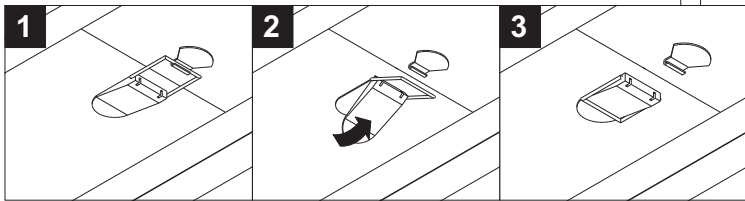
#### C. EXTENDING

##### RECOMMENDATION :

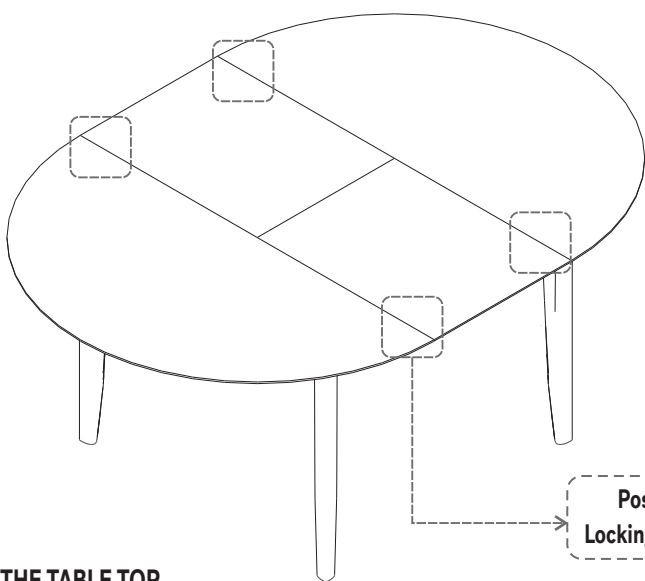
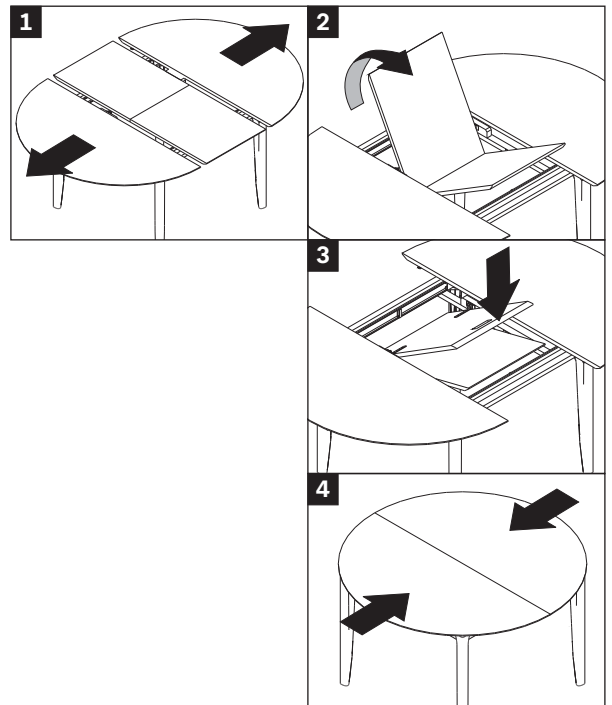
In order to avoid colour differences between the fixed table top and the extensions due to UV light, we suggest to put your dining table in extended version during the first month.



#### UNLOCK THE TABLE TOP



#### D. DISMANTLING



#### LOCK THE TABLE TOP

