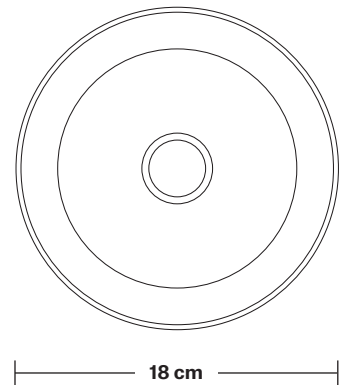
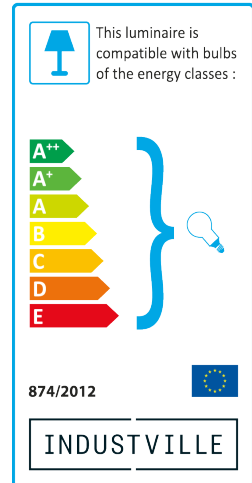
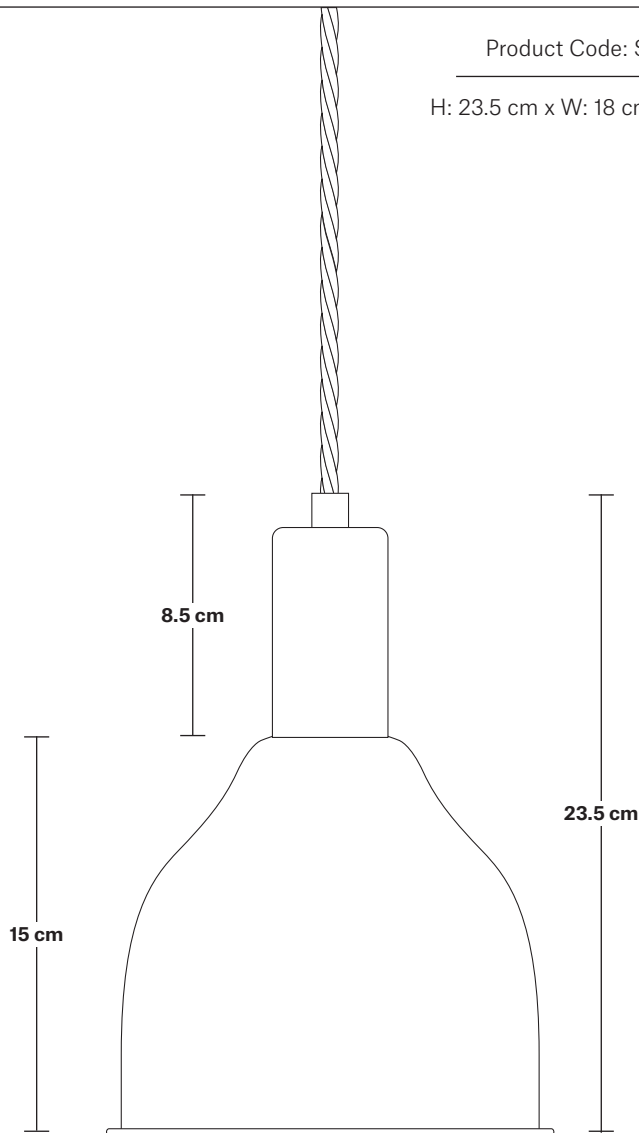


# Sleek Cone Pendant - 7 Inch

Product Code: SL-CP7

H: 23.5 cm x W: 18 cm x D: 18 cm



## SPECIFICATIONS

We meet all UK and EU lighting and safety regulations.

Our products are hand finished to ensure an authentic vintage look and therefore they may vary slightly from those shown in the images.

**Bulb required:** Standard screw (E27) fitting, max 40W.

**Shade weight:** 0.35 kg | **Holder weight:** 0.2 kg

**Maximum weight:** 0.55 kg

## INFORMATION

**Finishes:** Brass, Pewter and Copper.

Ready to be installed, installation required.

Wall mount screws not included.

**Holders available:** Brass, Pewter and Copper.

**Flex:** 1m Black Twisted Fabric Flex.

**Ceiling rose:** Brass, Pewter and Copper.

## DIMENSIONS

Shade Diameter: 18 cm / 7"

Shade Height (no holder): 15 cm / 6.1"

Holder Diameter: 4 cm / 1.6"

Holder Height: 10 cm / 4.1"

Ceiling Rose Diameter: 8 cm / 3"

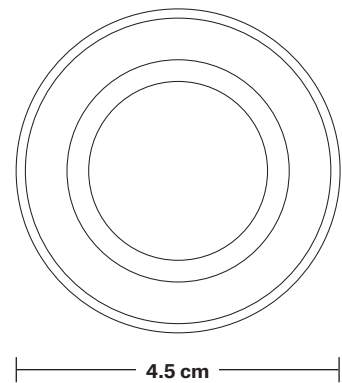
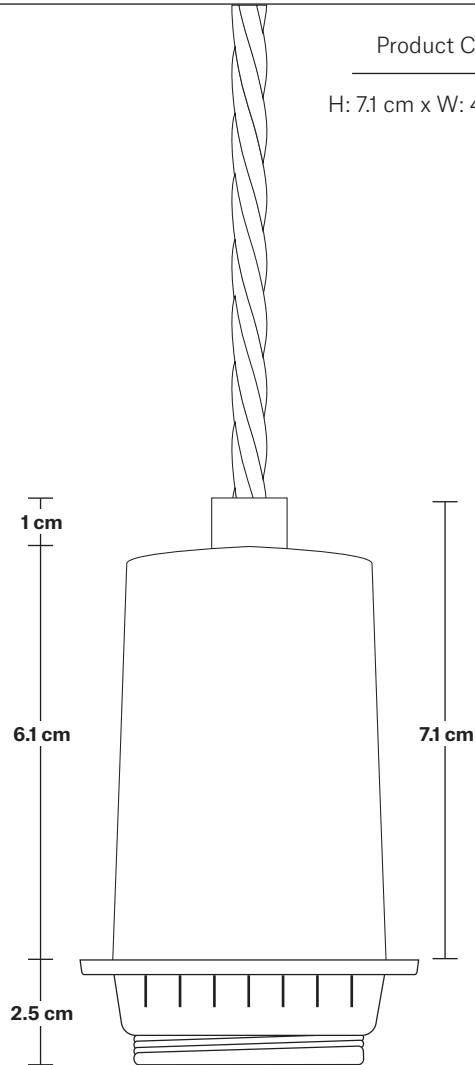
Ceiling Rose Height: 2 cm / 0.8"

INDUSTVILLE

# Sleek Edison ES E27 Bulb Holder

Product Code: SL-EBH

H: 7.1 cm x W: 4.5 cm x D: 4.5 cm



## SPECIFICATIONS

We meet all UK and EU lighting and safety regulations.

Our products are hand finished to ensure an authentic vintage look and therefore they may vary slightly from those shown in the images.

**Bulb required:** Standard screw (E27) fitting, max 40W.

**Weight:** 0.1 kg

## INFORMATION

**Finishes:** Brass, Pewter and Copper.

Ready to be installed, installation required.

Wall mount screws not included.

## DIMENSIONS

Bulb Holder Height: 9.6 cm / 3.8"

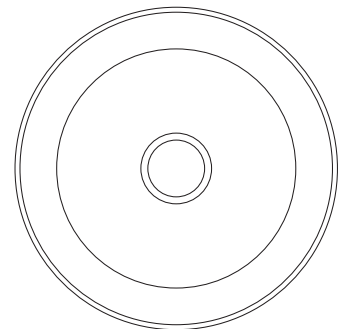
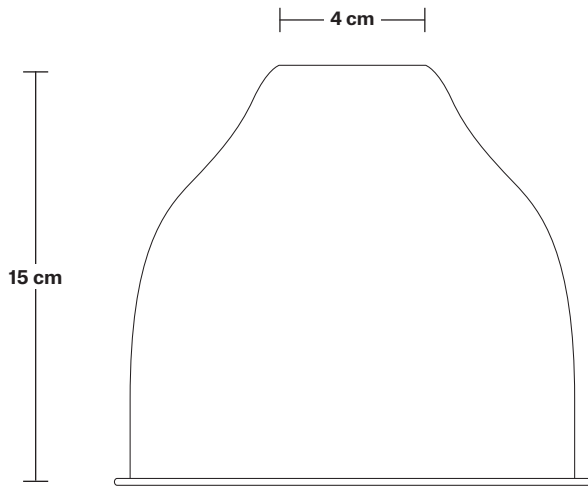
Bulb Holder Depth: 4.5 cm / 1.8"

INDUSTVILLE

# Cone Shade - 7 Inch - Shade Only

Product Code: C7-SO

H: 15 cm x W: 18 cm x D: 18 cm



18 cm

## SPECIFICATIONS

We meet all UK and EU lighting and safety regulations.

Our products are hand finished to ensure an authentic vintage look and therefore they may vary slightly from those shown in the images.

**Bulb required:** Standard screw (E27) fitting, max 40W.

**Shade weight:** 0.35 kg

## INFORMATION

**Finishes:** Brass, Pewter and Copper.

Ready to be installed, installation required.

Wall mount screws not included.

## DIMENSIONS

Shade Diameter: 18 cm / 7"

Shade Height (no holder): 15 cm / 6.1"

# Cone - 7 Inch - Pewter

## Shade Only

Cone - 7 Inch - Pewter - Shade Only	<b>C7-P-SO</b>
-------------------------------------	----------------

## Brooklyn Cone Pendant - 7 Inch - Pewters

Brooklyn Cone Pendant - 7 Inch - Pewter - Brass Holder	<b>BR-CP7-P-BH</b>
--	--------------------

Brooklyn Cone Pendant - 7 Inch - Pewter - Pewter Holder	<b>BR-CP7-P-PH</b>
---	--------------------

Brooklyn Cone Pendant - 7 Inch - Pewter - Copper Holder	<b>BR-CP7-P-CH</b>
---	--------------------

## Brooklyn Cone Flush Mount - 7 Inch - Pewter

Brooklyn Cone Flush Mount - 7 Inch - Pewter - Brass Holder	<b>BR-CFM7-P-BH</b>
--	---------------------

Brooklyn Cone Flush Mount - 7 Inch - Pewter - Pewter Holder	<b>BR-CFM7-P-PH</b>
---	---------------------

Brooklyn Cone Flush Mount - 7 Inch - Pewter - Copper Holder	<b>BR-CFM7-P-CH</b>
---	---------------------

## Brooklyn Cone Wall Light - 7 Inch - Pewter

Brooklyn Cone Wall Light - 7 Inch - Pewter - Brass Holder	<b>BR-CWL7-P-BH</b>
---	---------------------

Brooklyn Cone Wall Light - 7 Inch - Pewter - Pewter Holder	<b>BR-CWL7-P-PH</b>
--	---------------------

Brooklyn Cone Wall Light - 7 Inch - Pewter - Copper Holder	<b>BR-CWL7-P-CH</b>
--	---------------------

## Swan Neck Cone Wall Light - 7 Inch - Pewter

Swan Neck Cone Wall Light - 7 Inch - Pewter - Pewter Holder	<b>SN-CWL7-P-PH</b>
---	---------------------

## Sleek Cone Pendant - 7 Inch - Pewter

Sleek Cone Pendant - 7 Inch - Pewter - Brass Holder	<b>SL-CP7-P-BH</b>
---	--------------------

Sleek Cone Pendant - 7 Inch - Pewter - Pewter Holder	<b>SL-CP7-P-PH</b>
--	--------------------

Sleek Cone Pendant - 7 Inch - Pewter - Copper Holder	<b>SL-CP7-P-CH</b>
--	--------------------