



Valves, Automation & Controls

Series 4483
FORGED GLOBE VALVE

Design Features

- Class 800
- Socket weld ends forged steel or 316L stainless steel
- Threaded ends forged steel or 316L stainless steel
- Bolted bonnet
- Rising stem
- NACE MR-0175

Applicable Standards

- Basic Design API 602 (9th Edition)
- Socket Weld ANSI 16.11
- Threaded ANSI B1.20.1
- Test API 598



Technical Information

| Size | Cv | Weight (lbs.) |
|-------|----|---------------|
| 1/4 | 2 | 4.7 |
| 3/8 | 3 | 4.6 |
| 1/2 | 3 | 4.6 |
| 3/4 | 4 | 5.1 |
| 1 | 6 | 8.1 |
| 1-1/4 | 14 | 13.2 |
| 1-1/2 | 14 | 16.5 |
| 2 | 33 | 25.3 |

| Temperature °F | 316L Pressure psi | Forged Steel Pressure psi |
|----------------|-------------------|---------------------------|
| -20 to 100 | 1600 | 1975 |
| 200 | 1365 | 1810 |
| 300 | 1215 | 1745 |
| 400 | 1120 | 1690 |
| 500 | 1050 | 1610 |
| 600 | 990 | 1515 |
| 650 | 975 | 1465 |
| 700 | 960 | 1415 |
| 750 | 940 | 1350 |
| 800 | 920 | 1100 |
| 850 | 900 | - |

USA 800-766-0076

Fax 323-890-4456

www.smithcooper.com

www.sharpevalves.com

Los Angeles, CA

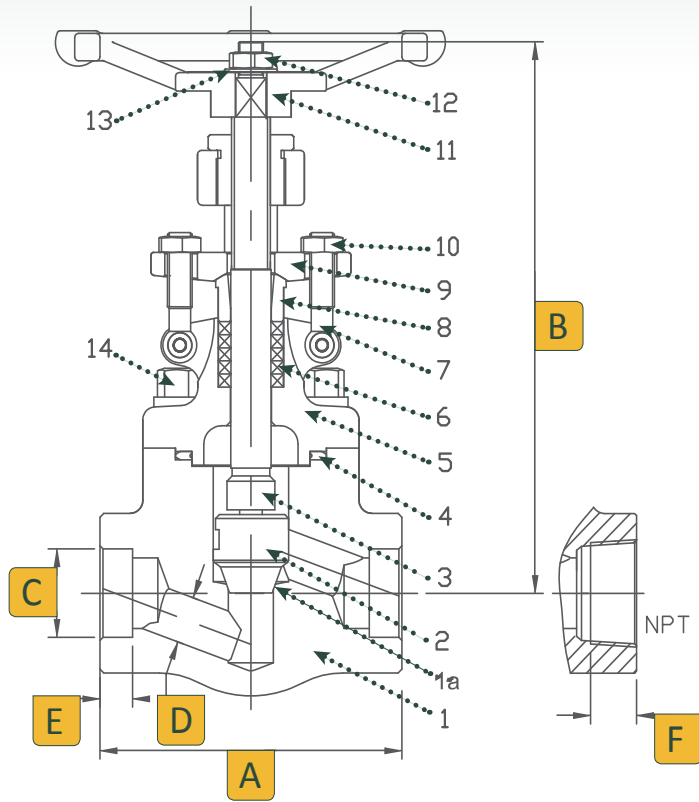
Chicago, IL

Atlanta, GA

Vancouver, WA

Houston, TX

Dimensions, Parts & Materials



| No. | Part Name | Qty | Material |
|-----|----------------|-----|---|
| 1 | Body | 1 | 316L Stainless Steel ASTM A182 or Forged Steel ASTM A105N |
| 1a | Seat | 1 | Stellite |
| 2 | Disc | 1 | 316 Stainless Steel or 410 Stainless Steel* |
| 3 | Stem | 1 | 316 Stainless Steel or 410 Stainless Steel* |
| 4 | Gasket | 1 | 316 + Graphite or 304 + Graphite* |
| 5 | Bonnet | 1 | 316L Stainless Steel or Carbon Steel ASTM A105N* |
| 6 | Packing | 4 | Graphite |
| 7 | Gland Studs | 2 | B8M Steel or 410 Stainless Steel* |
| 8 | Packing Gland | 1 | 316 Stainless Steel or 2HM Steel ASTM A194* |
| 9 | Gland Flange | 1 | 304 Stainless Steel or Carbon Steel ASTM A105N* |
| 10 | Gland Nut | 2 | Gr8 Steel or 2HM Steel ASTM A194* |
| 11 | Hand Wheel | 1 | Carbon Steel |
| 12 | Hand Wheel Nut | 1 | Carbon Steel |
| 13 | Name Plate | 1 | Aluminum |
| 14 | Body Bolt | 4 | B8M Steel ASTM A193 or B7M Steel ASTM A193* |

* Used on Carbon Steel Valves

Dimensions (Inches)

| Size | A | B | C | D | E | F |
|-------|------|-------|------|------|------|------|
| 1/4 | 3.11 | 6.53 | 0.56 | 0.24 | 0.39 | 0.40 |
| 3/8 | 3.11 | 6.53 | 0.69 | 0.28 | 0.39 | 0.43 |
| 1/2 | 3.11 | 6.53 | 0.85 | 0.39 | 0.39 | 0.54 |
| 3/4 | 3.58 | 6.53 | 1.07 | 0.51 | 0.51 | 0.55 |
| 1 | 3.94 | 7.90 | 1.33 | 0.71 | 0.51 | 0.69 |
| 1-1/4 | 4.72 | 8.98 | 1.68 | 0.87 | 0.51 | 0.71 |
| 1-1/2 | 5.98 | 10.00 | 1.92 | 1.18 | 0.51 | 0.72 |
| 2 | 6.77 | 11.60 | 2.41 | 1.38 | 0.63 | 0.76 |

How to Order

| Size | Series | Body | Ends |
|-------|--------|-----------------------------|----------------|
| 1/4 | 4483 | 4 Forged Steel (Trim 8) | TE Threaded |
| 3/8 | | 6 Stainless Steel (Trim 12) | SW Socket Weld |
| 1/2 | | | |
| 3/4 | | | |
| 1 | | | |
| 1-1/4 | | | |
| 1-1/2 | | | |
| 2 | | | |

Example: 1 - 4483 - 6 - TE = 1-4483-6-TE