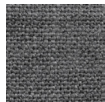


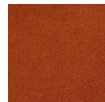
Baltic Chair & Ottoman



UPHOLSTERY



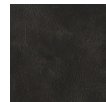
Andorra
Pewter



Velvet
Russet



Canyon
Whiskey
Leather



Saddle
Black
Leather

FRAME



Walnut

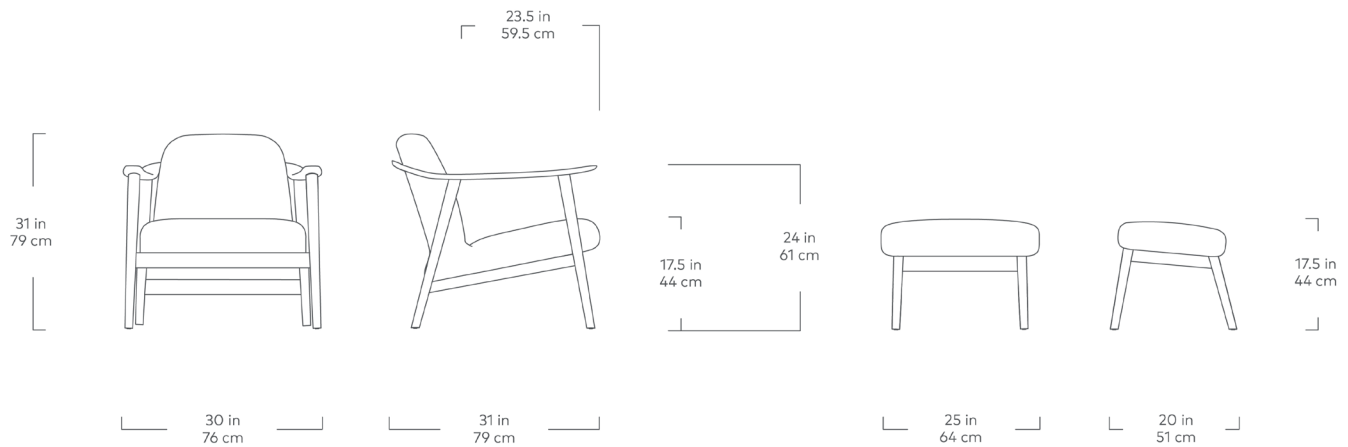


Natural
Ash

An ode to warm Nordic minimalism, the Baltic Chair + Ottoman are designed to harmonize with contemporary life. Elegant and compact, with clean, solid wood frames they impart a feeling of calm and lightness. We joined the chair's curved arms at the back to create a sculptural form that can be admired from every angle, adding chamfered edges for a supremely touchable finish. The gently sloped ottoman is the perfect companion piece, providing an ideal perch for your feet. Complete the mood – and your dream reading nook – with this graceful pair.

Design Trade Professionals: We aim to keep our designs in stock and ready to ship quickly for projects on a tight timeline. Designs may be customized with COM and alternate finishes (minimum quantities may apply). Visit guscontract.com for more information about our Trade & Contract programs.

Baltic Chair & Ottoman



- Solid wood frame featuring custom bent armrests and mortise and tenon joints is crafted from walnut or ash.
- Solid ash frame is 100% FSC®-Certified in support of responsible forest management (FSC® 092551).
- One piece seat and back is crafted with high resiliency medium density polyurethane foam.
- Webbed suspension system for comfort.
- Ottoman designed for use as a foot rest. Not intended for use as a standalone seat.
- Inner frame is 100% kiln-dried FSC®-Certified hardwood in support of responsible forest management (FSC® 092551).
- Wood is a natural material, with variations in grain pattern and colour that make each design unique.
- Bumpers on the bottom of base to protect hardwood floors.
- Manufactured to meet California TB117-2013 fire safety standards without the use of flame retardant additives in the upholstery foam.
- All fabric is California TB117-2013 certified and double rub tested.
- Our leathers have been chosen for their raw, natural beauty. They may have distinct surface characteristics, natural markings, and colour variations which differ from hide to hide and from one product to another, making each leather product unique.

