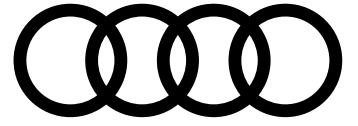


# A3

Sportback



 **PREMIUM AUTOMOBILES**

281 Alexandra Road Singapore 159938 Tel: 6836 2223  
55 Ubi Road 1 Singapore 408699 Tel: 6366 2323

  
5-year unlimited  
mileage warranty

  
5-year 24-hour  
roadside assistance

## TECHNICAL DATA

### A3 Sportback 1.5 TFSI S tronic

#### ENGINE

Propellant	Petrol
Type	4-cylinder inline engine with turbocharging and intercooling
Valves	16
Engine capacity	1,498
Max output kW (hp)/rpm	110 (150) / 5,000 – 6,000
Max torque (Nm)/rpm	250 / 1,500 – 3,500

#### TRANSMISSION

Gearbox	7-speed S tronic transmission
Drive	Front wheel drive

#### PERFORMANCE

Acceleration 0-100km/h	8.4
Top speed (km/h)	232
Fuel consumption (combined) in l/100km	4.8
VES banding	A2
Start/stop system	Yes

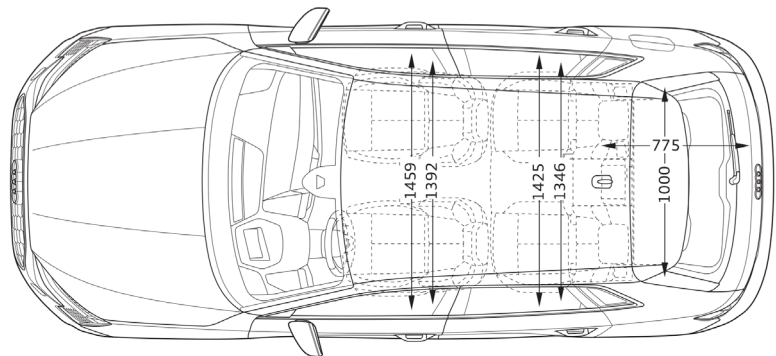
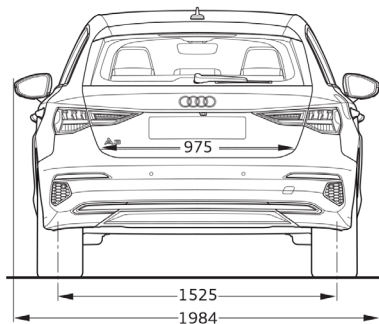
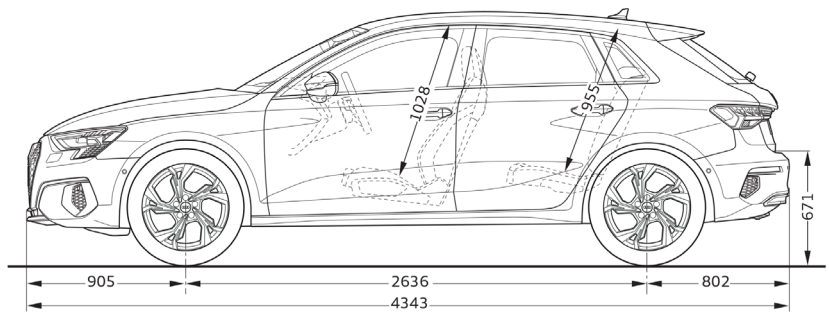
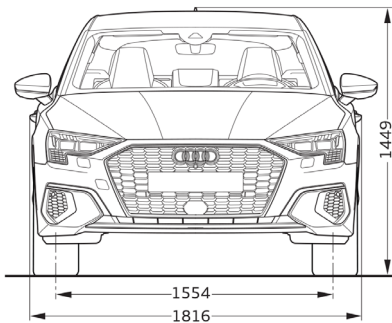
#### CHASSIS

Steering	Electromechanical power steering
Front suspension	MacPherson struts
Rear suspension	Multi-link

#### BRAKES

Front	Ventilated discs
Rear	Discs
Braking assistance	Anti-lock Braking System (ABS)

#### Measurements (All in mm)



Dimensions are based on technical data from Audi Germany.  
Actual specifications may vary from models shown.

Wheelbase	2,636
Length	4,343
Height	1,449
Width (mirrors folded/unfolded)	1,816 / 1,984
Track (front/rear)	1,554 / 1,525
Kerb weight (kg)	1,320
Turning circle (m)	11.1
Luggage volume (litres)	380
Fuel tank (litres)	50

## STANDARD/OPTIONAL EQUIPMENT

	A3 Sportback 1.5 TFSI S tronic
<b>SAFETY</b>	
Front side airbags with head airbag system	•
Full-size airbags for driver and front passenger	•
ISOFIX and top tether for outer rear seats	•
<b>TECHNOLOGY AND ASSISTANCE SYSTEMS</b>	
48V Mild Hybrid system	•
Audi drive select	•
Convenience key (without safelock)	•
Cruise control	•
Hold assist	•
Lane departure warning	•
Luggage compartment lid, manually operated	•
Park assist with reversing camera	•
<b>EXTERIOR DESIGN</b>	
Exterior mirror housings in body colour	•
Exterior mirrors electrically adjustable, heated and folding, automatically dimming on both sides	•
High gloss package	•
LED headlights with headlight cleaning system	•
LED rear lights with dynamic indicators	•
Roof edge spoiler	•
<b>WHEELS</b>	
Alloy wheels, 5-parallel spoke design, 8.0J x 17 with 225/45 R17 tyres	•
Tyre pressure loss indicator	•
Tyre repair kit	•
<b>COMFORT</b>	
2-zone deluxe automatic air conditioning	•
Ambient lighting package	•
Electrically adjustable front seats with 4-way lumbar support	•
Seat upholstery in leather/leatherette mono.pur 550 combination	•
Storage and luggage compartment package	•
Windscreen with heat insulating glass	•
<b>INTERIOR DESIGN</b>	
3-spoke leather steering wheel with multifunction plus and shift paddles	•
Frameless interior mirror with automatic dimming	•
Platinum gray decorative inserts in silk effect paint	•
<b>INFOTAINMENT</b>	
12V power socket in rear seat area	•
*Audi connect	•
Audi smartphone interface	•
Audi virtual cockpit plus	•
MMI radio plus	•

Audi virtual cockpit plus



Electronic gear selector



Rear lights with dynamic indicators



Actual specifications may vary from model shown.

\*Audi connect – Audi connect emergency call and service with Audi connect remote and control.

Information is accurate as at March 2022