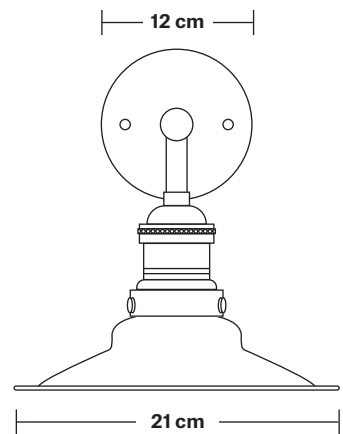
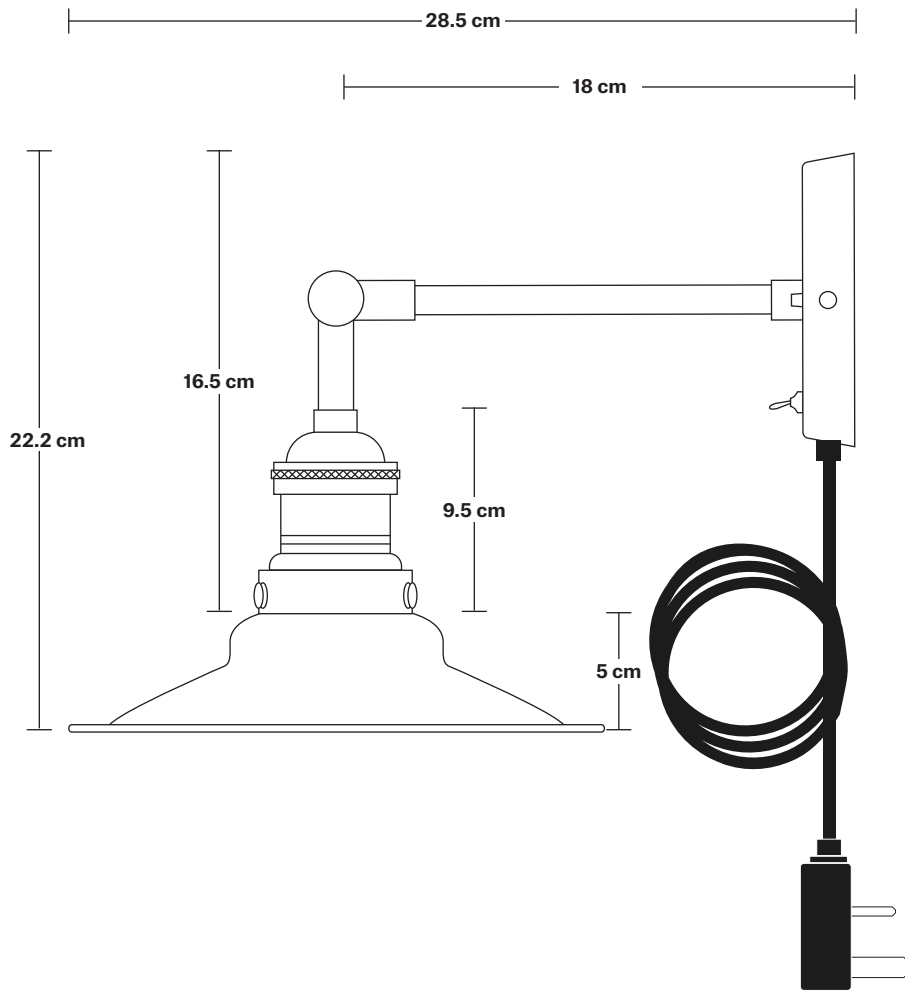


Brooklyn Flat Wall Light - 8 Inch - With Plug

Product Code: BR-FWL8-FLWP

H: 21.5 cm x W: 21 cm x D: 28.5 cm



SPECIFICATIONS

We meet all UK and EU lighting and safety regulations.

Our products are hand finished to ensure an authentic vintage look and therefore they may vary slightly from those shown in the images.

Bulb required: Standard screw (E27) fitting, max 40W.

Shade weight: 0.3 kg | **Holder weight:** 0.7 kg

Maximum weight: 0.9 kg

INFORMATION

Finishes: Copper.

The lights can be operated by both the flick switch or the main switch.

Holders available: Pewter, Copper.

Flex: 1.3m Black Twisted Fabric Flex.

Plug: UK AC power plug BS1362

DIMENSIONS

Shade Diameter: 21 cm / 8.2"

Shade Height (no holder): 5 cm / 2"

Holder Diameter: 6 cm / 2.5"

Holder Height: 18 cm / 7.1"

Wall Rose Diameter: 12 cm / 4.9"

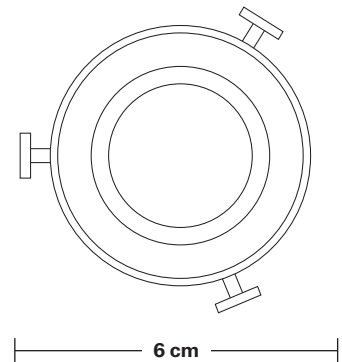
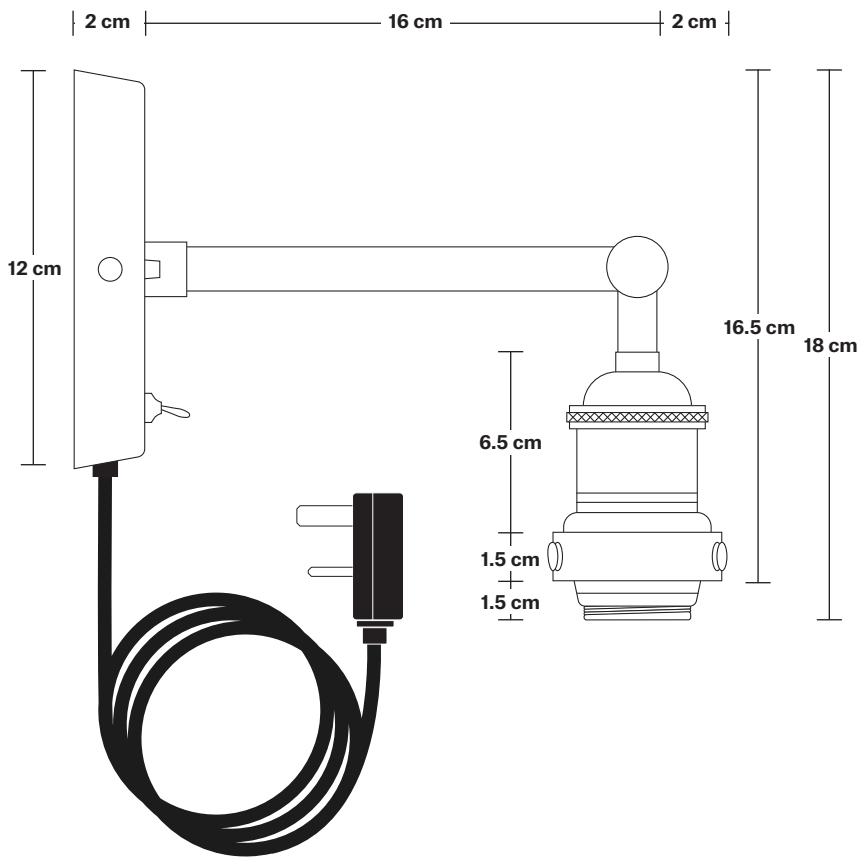
Wall Rose Height: 2 cm / 0.8"

INDUSTVILLE

Brooklyn Wall Holder With Plug

Product Code: BR-WL-FLWP

H: 18 cm x W: 12 cm x D: 20 cm



SPECIFICATIONS

We meet all UK and EU lighting and safety regulations.

Our products are hand finished to ensure an authentic vintage look and therefore they may vary slightly from those shown in the images.

Bulb required: Standard screw (E27) fitting, max 40W.

Weight: 0.7 kg

INFORMATION

Finishes: Brass, Pewter, Copper.

Wall mount screws not included.

The lights can be operated by both the flick switch or the main switch.

Wall rose: Pewter.

Flex: 1.3m Black Twisted Fabric Flex.

Plug: UK AC power plug BS1362

DIMENSIONS

Holder Diameter: 6 cm / 2.5"

Holder Height: 18 cm / 7.1"

Projection: 20 cm / 7.9"

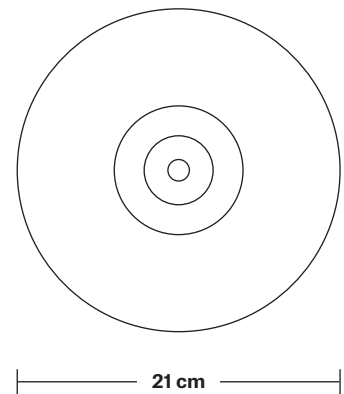
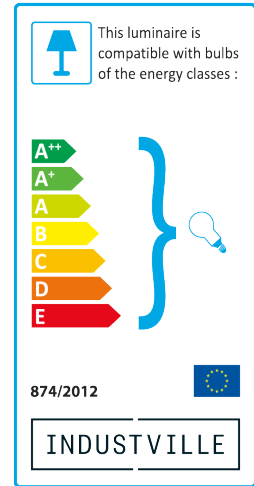
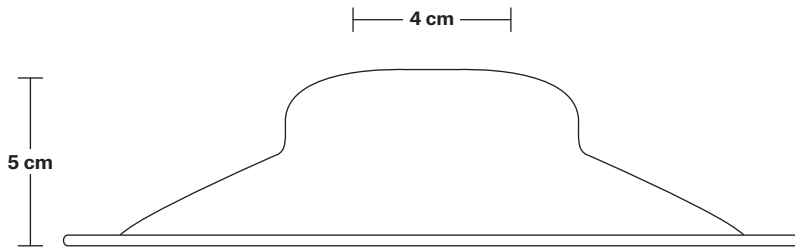
Wall Rose Diameter: 12 cm / 4.9"

Wall Rose Depth: 2 cm / 0.8"

Flat - 8 Inch - Shade Only

Product Code: F8-SO

H: 5 cm x W: 21 cm x D: 21 cm



SPECIFICATIONS

We meet all UK and EU lighting and safety regulations.

Our products are hand finished to ensure an authentic vintage look and therefore they may vary slightly from those shown in the images.

Bulb required: Standard screw (E27) fitting, max 40W.

Shade weight: 0.3 kg

INFORMATION

Finishes: Brass, Pewter and Copper.

Ready to be installed, installation required.

Wall mount screws not included.

DIMENSIONS

Shade Diameter: 21 cm / 8.2"

Shade Height (no holder): 5 cm / 2"

INDUSTVILLE

Brooklyn Flat Wall Light - 8 Inch - Copper - With Plug

Shade Only

Flat - 8 Inch - Copper - Shade Only

F8-C-SO

Brooklyn Flat Wall Light - 8 Inch - Copper

Brooklyn Flat Wall Light - 8 Inch - Copper - Pewter Holder With Plug

BR-FWL8-C-PH-FLWP

Brooklyn Flat Wall Light - 8 Inch - Copper - Copper Holder With Plug

BR-FWL8-C-CH-FLWP
