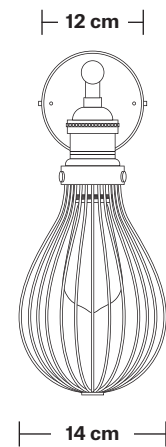
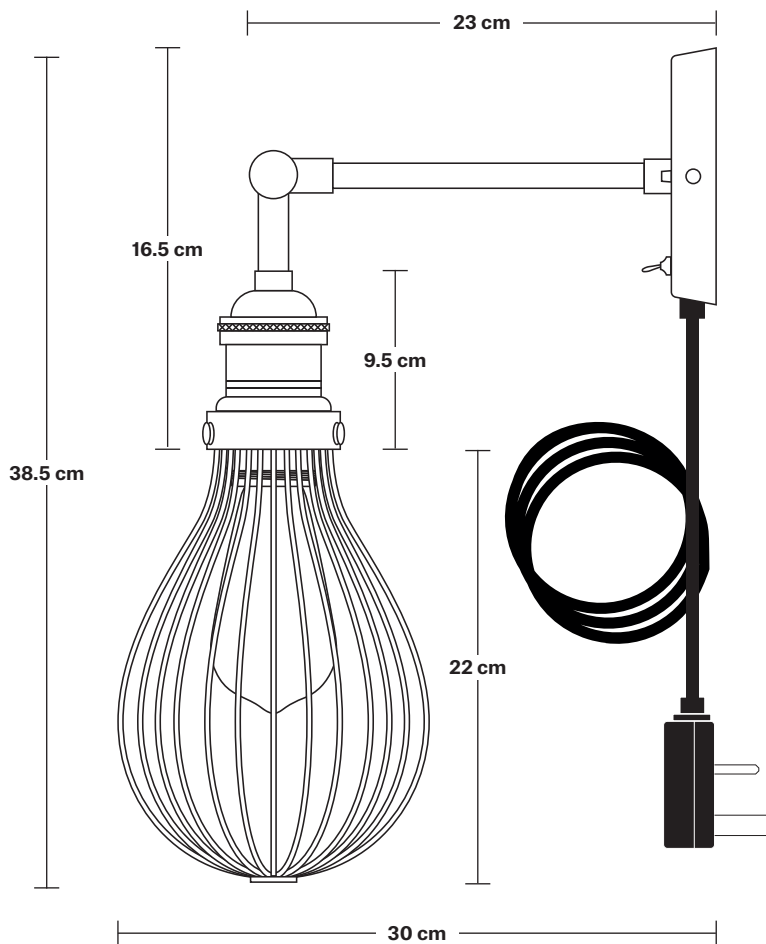


# Brooklyn Balloon Cage Wall Light - 6 Inch - With Plug

Product Code: BR-BCWL6-FLWP

H: 38.5 cm x W: 14 cm x D: 30 cm



## SPECIFICATIONS

We meet all UK and EU lighting and safety regulations.

Our products are hand finished to ensure an authentic vintage look and therefore they may vary slightly from those shown in the images.

**Bulb required:** Standard screw (E27) fitting, max 40W.

**Shade weight:** 0.25 kg | **Holder weight:** 0.7 kg

**Maximum weight:** 0.95 kg

## INFORMATION

**Finishes:** Pewter

Wall mount screws not included.

The lights can be operated by both the flick switch or the main switch.

**Holders available:** Brass, Pewter, Copper.

**Flex:** 1.5m Black Twisted Fabric Flex.

**Plug:** UK AC power plug BS1362

## DIMENSIONS

Shade Diameter: 14 cm / 5.5"

Shade Height (no holder): 22 cm / 8.6"

Holder Diameter: 6 cm / 2.4"

Holder Height: 16.5 cm / 7.1"

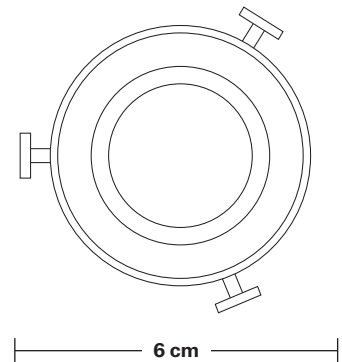
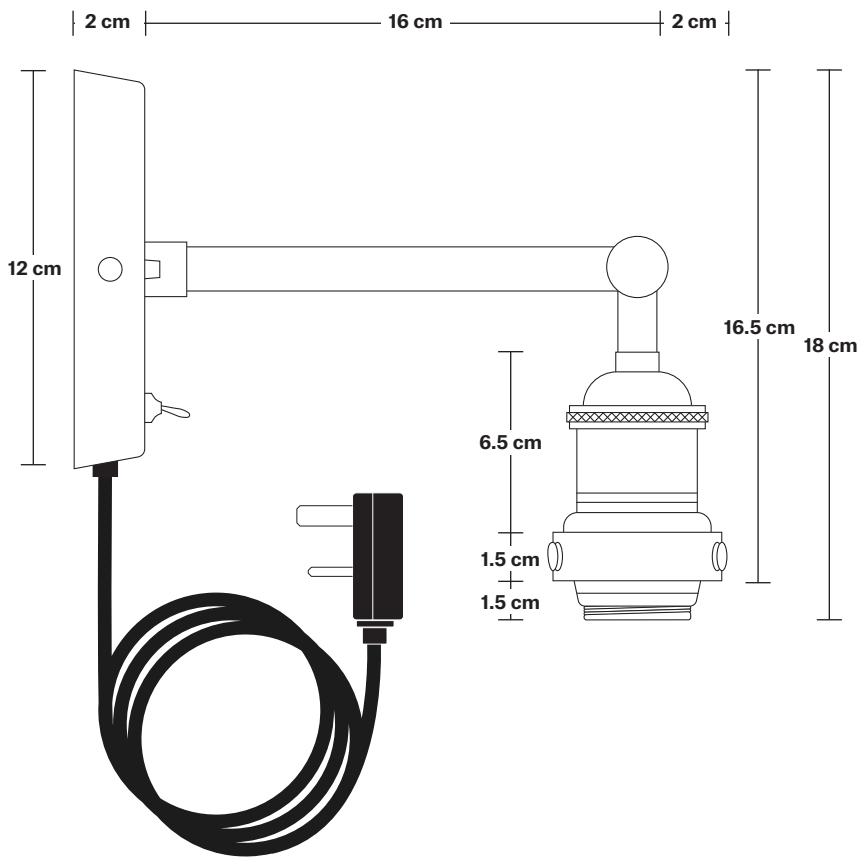
Wall Rose Diameter: 12 cm / 4.7"

Wall Rose Height: 2 cm / 0.8"

# Brooklyn Wall Holder With Plug

Product Code: BR-WL-FLWP

H: 18 cm x W: 12 cm x D: 20 cm



## SPECIFICATIONS

We meet all UK and EU lighting and safety regulations.

Our products are hand finished to ensure an authentic vintage look and therefore they may vary slightly from those shown in the images.

**Bulb required:** Standard screw (E27) fitting, max 40W.

**Weight:** 0.7 kg

## INFORMATION

**Finishes:** Brass, Pewter, Copper.

Wall mount screws not included.

The lights can be operated by both the flick switch or the main switch.

**Wall rose:** Pewter.

**Flex:** 1.5m Black Twisted Fabric Flex.

**Plug:** UK AC power plug BS1362

## DIMENSIONS

Holder Diameter: 6 cm / 2.5"

Holder Height: 18 cm / 7.1"

Projection: 20 cm / 7.9"

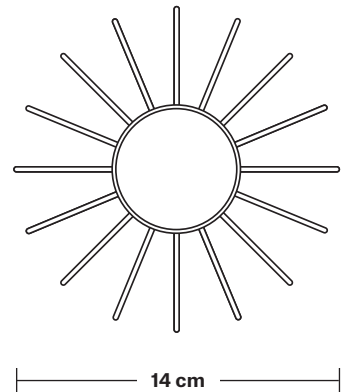
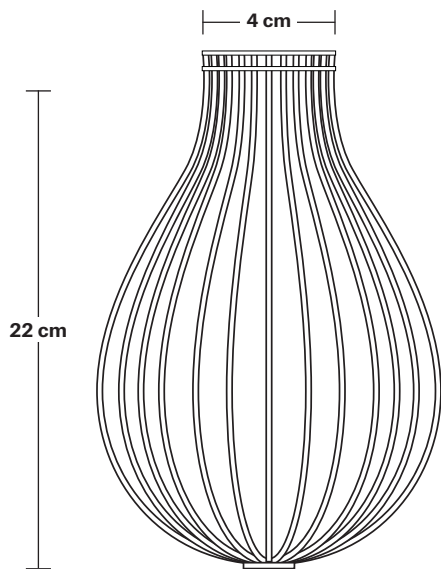
Wall Rose Diameter: 12 cm / 4.9"

Wall Rose Depth: 2 cm / 0.8"

# Balloon Cage - 6 Inch - Shade Only

Product Code:BC6-SO

H: 22 cm x W: 14 cm x D: 14 cm



## SPECIFICATIONS

We meet all UK and EU lighting and safety regulations.

Our products are hand finished to ensure an authentic vintage look and therefore they may vary slightly from those shown in the images.

**Bulb required:** Standard screw (E27) fitting, max 40W.

**Shade weight:** 0.25 kg

## INFORMATION

**Finishes:** Pewter and Copper.

Ready to be installed, installation required.

Wall mount screws not included.

## DIMENSIONS

Shade Diameter: 14 cm / 5.5"

Shade Height (no holder): 22 cm / 8.6"

# Brooklyn Balloon Cage Wall Light - 6 Inch - Pewter - With Plug

## Shade Only

Balloon Cage - 6 Inch - Pewter - Shade Only

**BC6-P-SO**

## Brooklyn Balloon Cage Wall Light - 6 Inch - Pewter

Brooklyn Balloon Cage Wall Light - 6 Inch - Pewter - Brass Holder With Plug

**BR-BCWL6-P-BH-FLWP**

Brooklyn Balloon Cage Wall Light - 6 Inch - Pewter - Pewter Holder With Plug

**BR-BCWL6-P-PH-FLWP**

Brooklyn Balloon Cage Wall Light - 6 Inch - Pewter - Copper Holder With Plug

**BR-BCWL6-P-CH-FLWP**