

# JEANETTE

DESIGNED BY TOM FEREDAY

ASSEMBLY INSTRUCTIONS





## DISCLAIMER

---

THE ASSEMBLY INSTRUCTIONS ARE TO BE USED AS A GUIDE SHOWING THE CONCEPT OF THE TABLE. IT WILL NOT BE NECESSARILY IDENTICAL TO THE TABLE YOU HAVE PURCHASED.

---

ENSURE THAT ALL STEPS ARE FOLLOWED IN THE CORRECT ORDER AND THAT NO STEP IS LEFT OUT.  
A MINIMUM OF TWO PEOPLE ARE REQUIRED FOR ASSEMBLY.

---

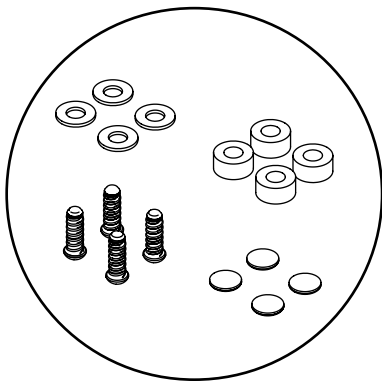
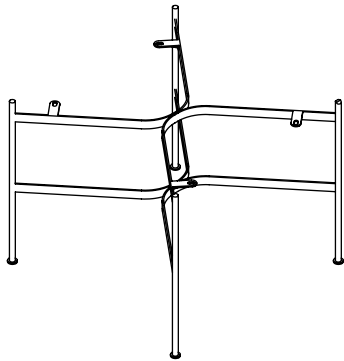
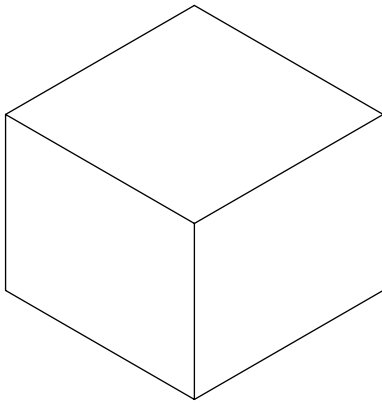
TO PREVENT ANY DAMAGE OF THE PRODUCT, DO NOT USE A BOX CUTTER, KNIFE OR SHARP OBJECT TO OPEN THE BOXES.

---

DO NOT LIFT THE TABLE BY ITS TOP. IF YOU HAVE TO LIFT THE TABLE, LIFT IT BY HOLDING ONTO THE METAL STRUCTURE.

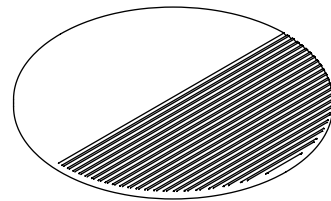
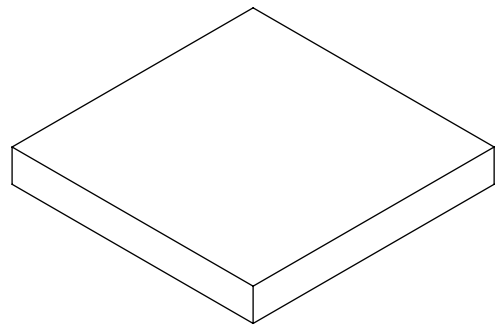
PACKAGING  
PARTS

BOX WITH METAL STRUCTURE



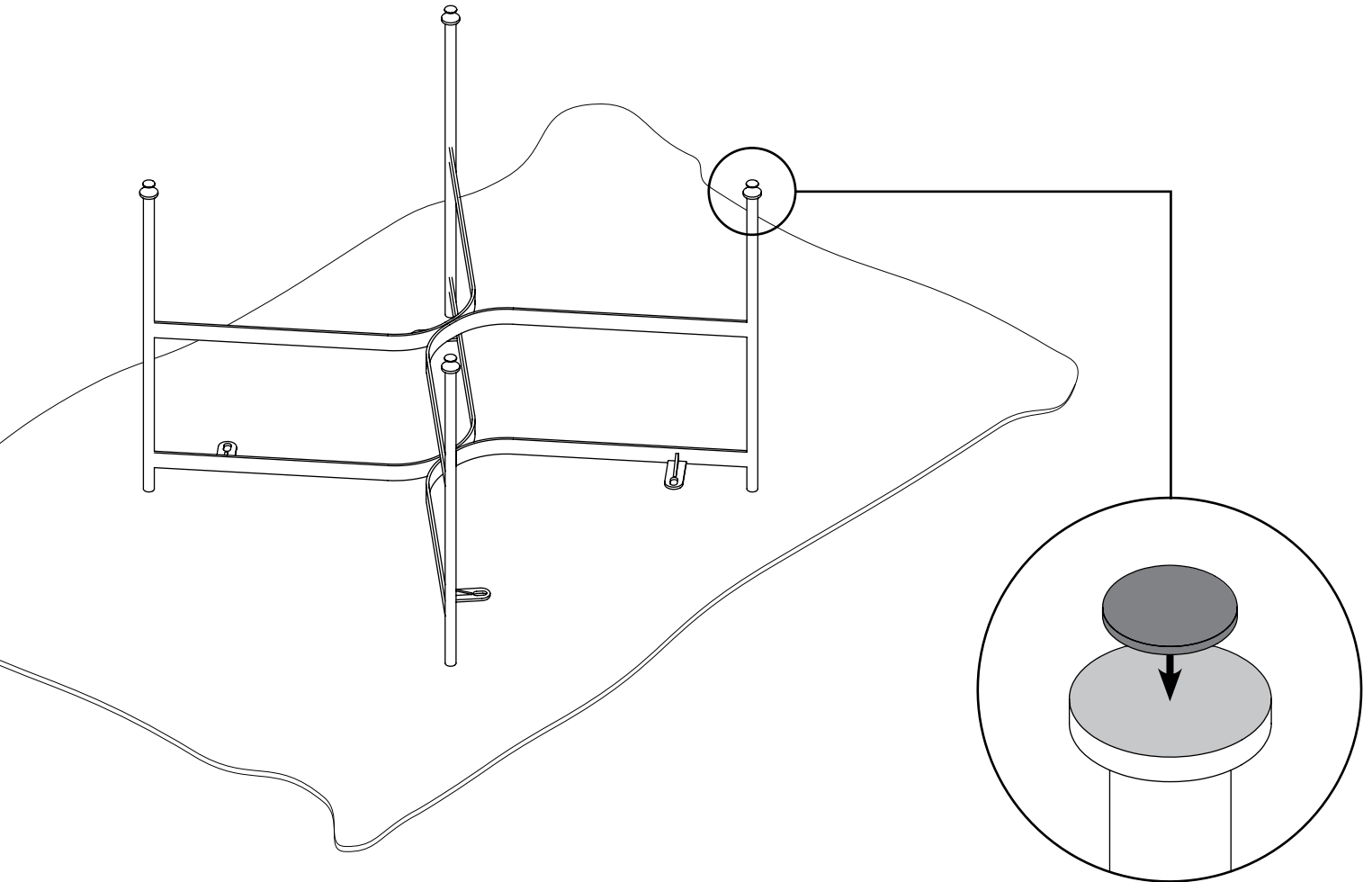
METAL STRUCTURE, 4 THICK METAL WASHERS,  
4 ADHESIVE PLASTIC BUMPERS, 4 SCREWS,  
4 ADHESIVE PLASTIC FEET

BOX WITH TOP



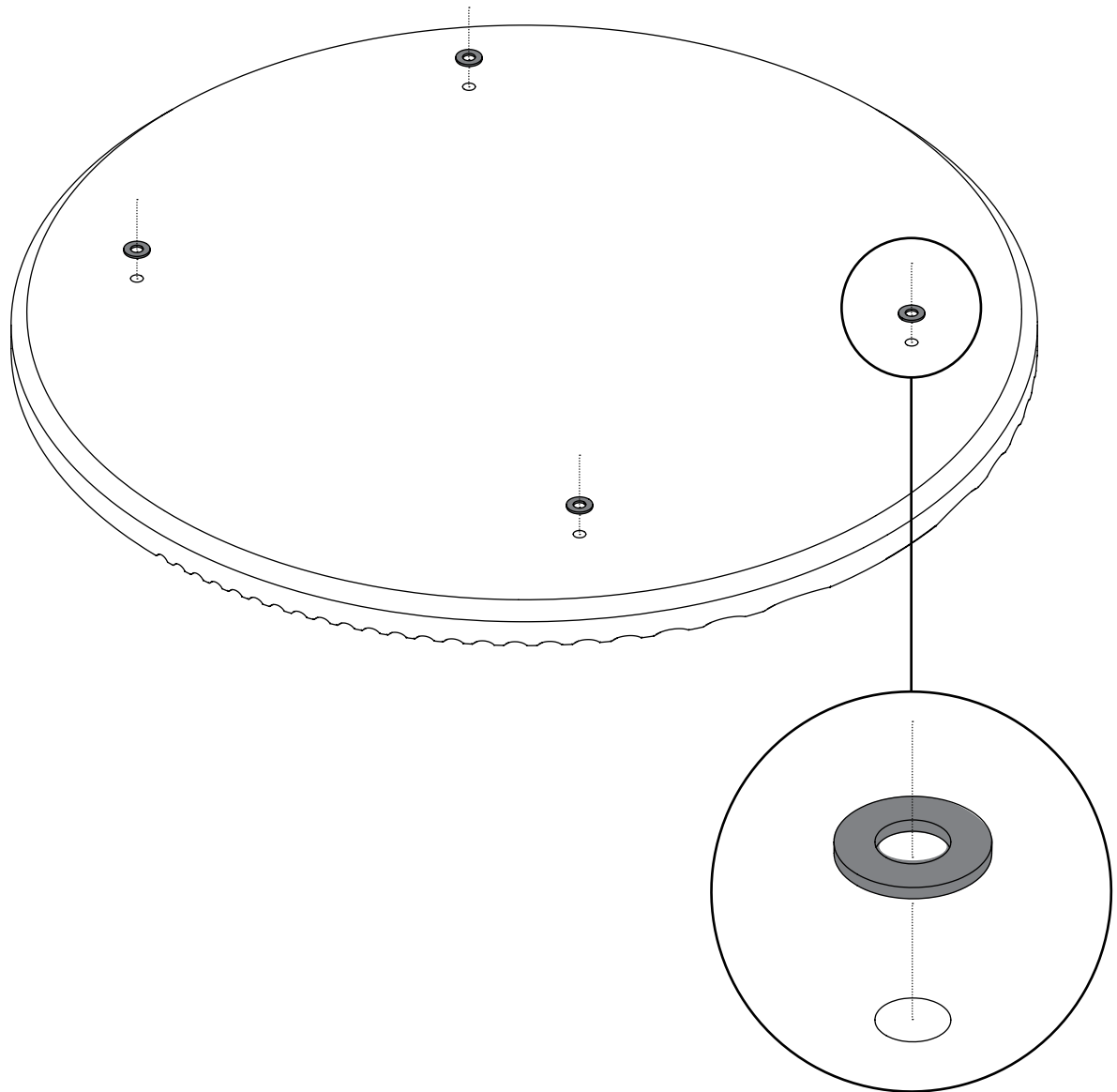
MARBLE OR TERRACOTTA TOP

STRUCTURE ASSEMBLY



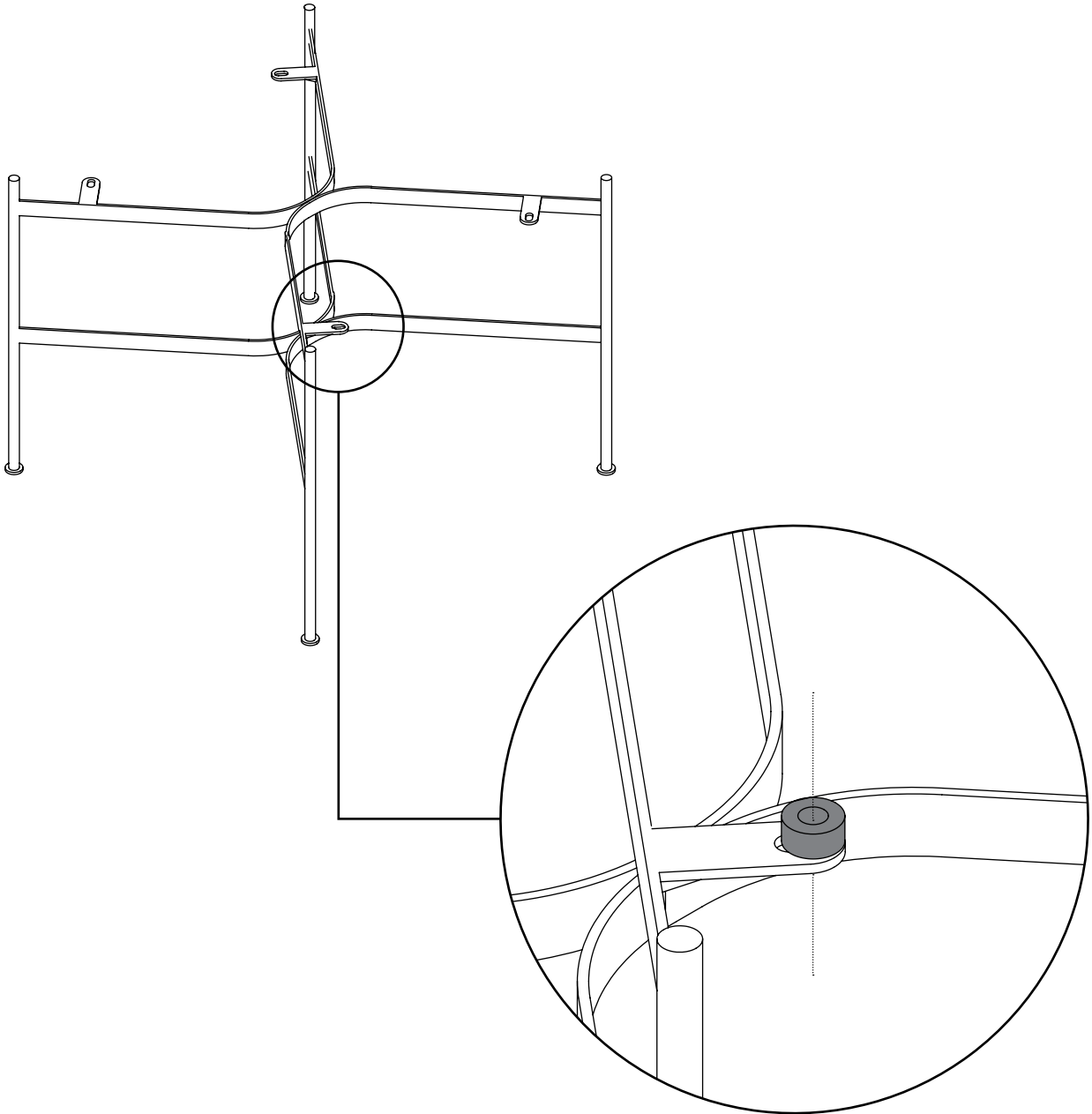
REMOVE THE TABLE STRUCTURE FROM THE PACKAGING, PLACING IT UPSIDE DOWN ONTO A SOFT AND CLEAN SURFACE SUCH AS A BLANKET IN ORDER TO PROTECT THE LACQUER SURFACE.  
STICK THE ADHESIVE PLASTIC FEET ONTO THE METAL FEET.

TOP ASSEMBLY



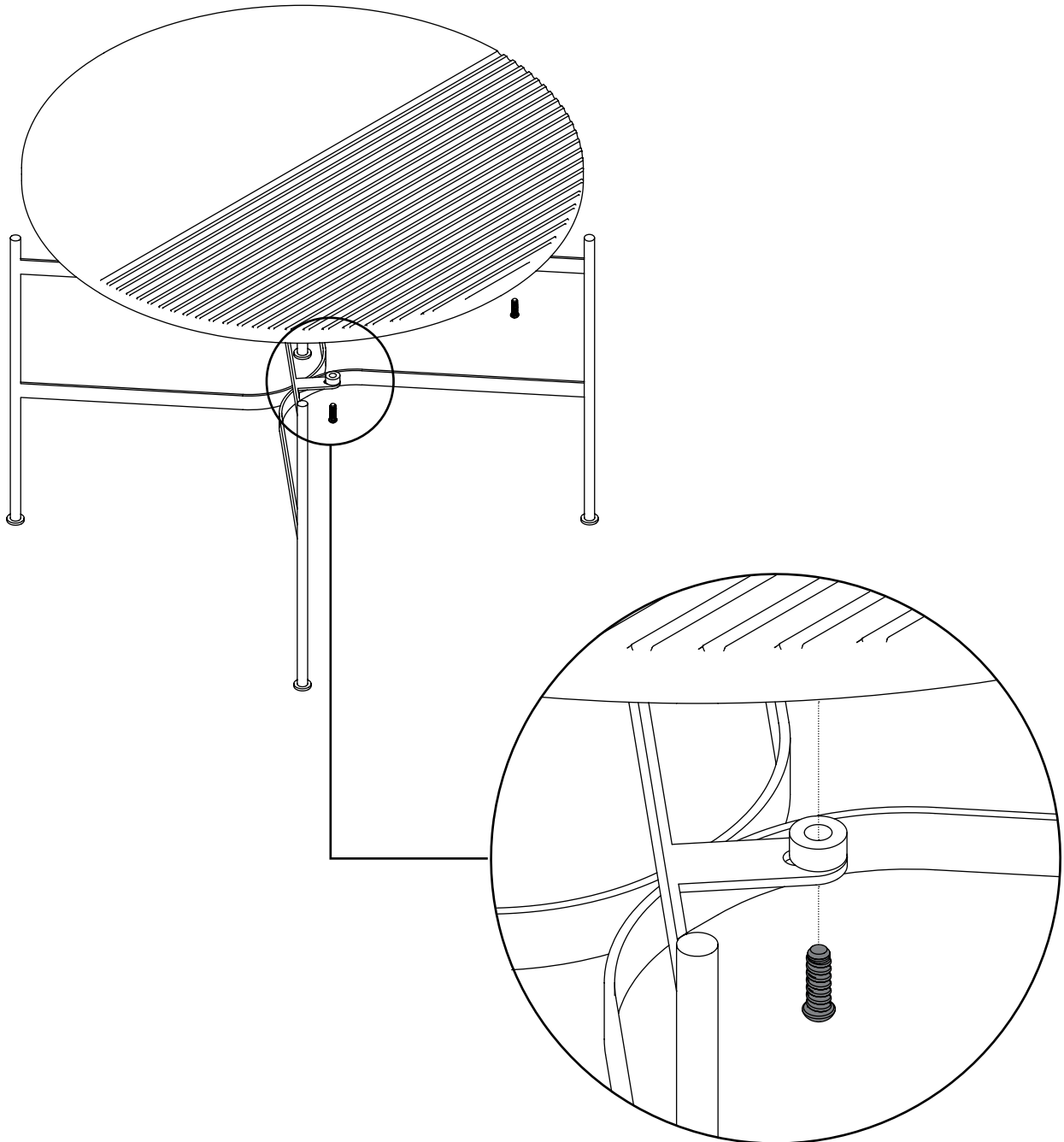
PLACE THE SELF ADHESIVE RUBBER PADS ON TOP OF THE SCREW HOLES, PAYING ATTENTION THAT THE HOLE IS NOT BEING COVERED BY THE RUBBER.

TOP ASSEMBLY



THIS STEP IS ONLY REQUIRED FOR JEANETTE TABLE WITH MARBLE TOP:  
PLACE THE METAL WASHERS ON THE METAL STRUCTURE WITHOUT COVERING THE HOLE.

TOP ASSEMBLY



PLACE THE TOP ONTO THE METAL STRUCTURE, TAKING CARE THAT THE HOLES IN THE TOP ALIGN WITH THE STRUCTURES FIXING POINTS.  
FIX ALL THE SCREWS WITHOUT OVERTIGHTENING.

SPØ1DESIGN.COM  
JEANETTE TABLE

---

