

LOUIE

DESIGNED BY TOM FEREDAY

ASSEMBLY INSTRUCTIONS





DISCLAIMER

THE ASSEMBLY INSTRUCTIONS ARE TO BE USED AS A GUIDE SHOWING THE CONCEPT OF THE TABLE. IT WILL NOT BE NECESSARILY IDENTICAL TO THE TABLE YOU HAVE PURCHASED.

ENSURE THAT ALL STEPS ARE FOLLOWED IN THE CORRECT ORDER AND THAT NO STEP IS LEFT OUT.
A MINIMUM OF TWO PEOPLE ARE REQUIRED FOR ASSEMBLY.

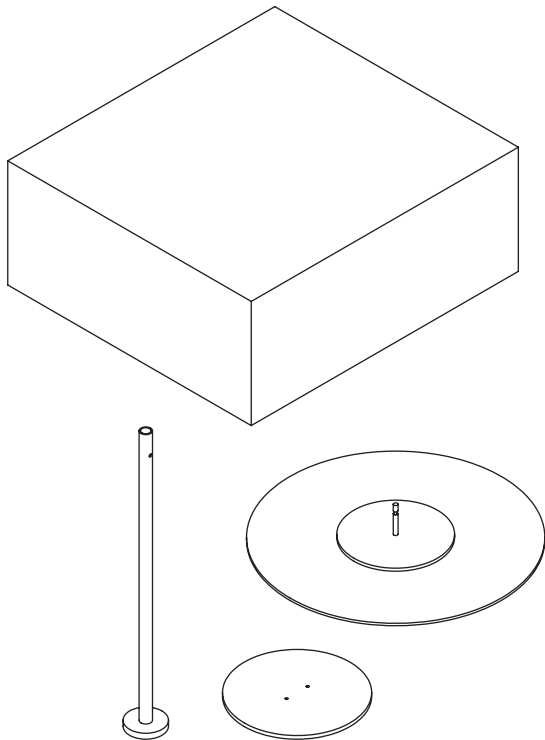
TO PREVENT ANY DAMAGE OF THE PRODUCT, DO NOT USE A BOX CUTTER, KNIFE OR SHARP OBJECT TO OPEN THE BOXES.

DO NOT LIFT THE TABLE BY ITS TOP. IF YOU HAVE TO LIFT THE TABLE, LIFT IT BY HOLDING ONTO THE METAL STRUCTURE.

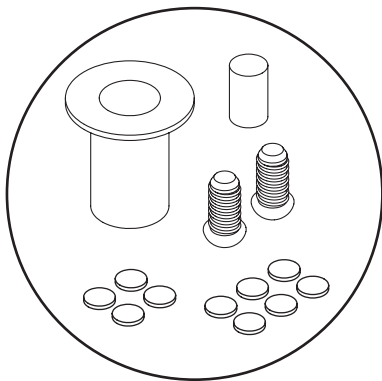
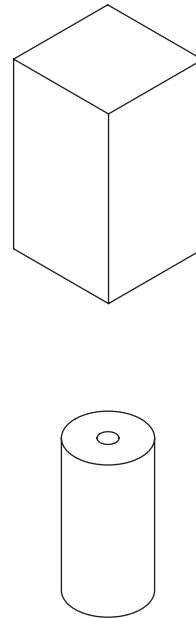
LOUIE TABLE

PACKAGING
PARTS

BOX WITH METAL STRUCTURE



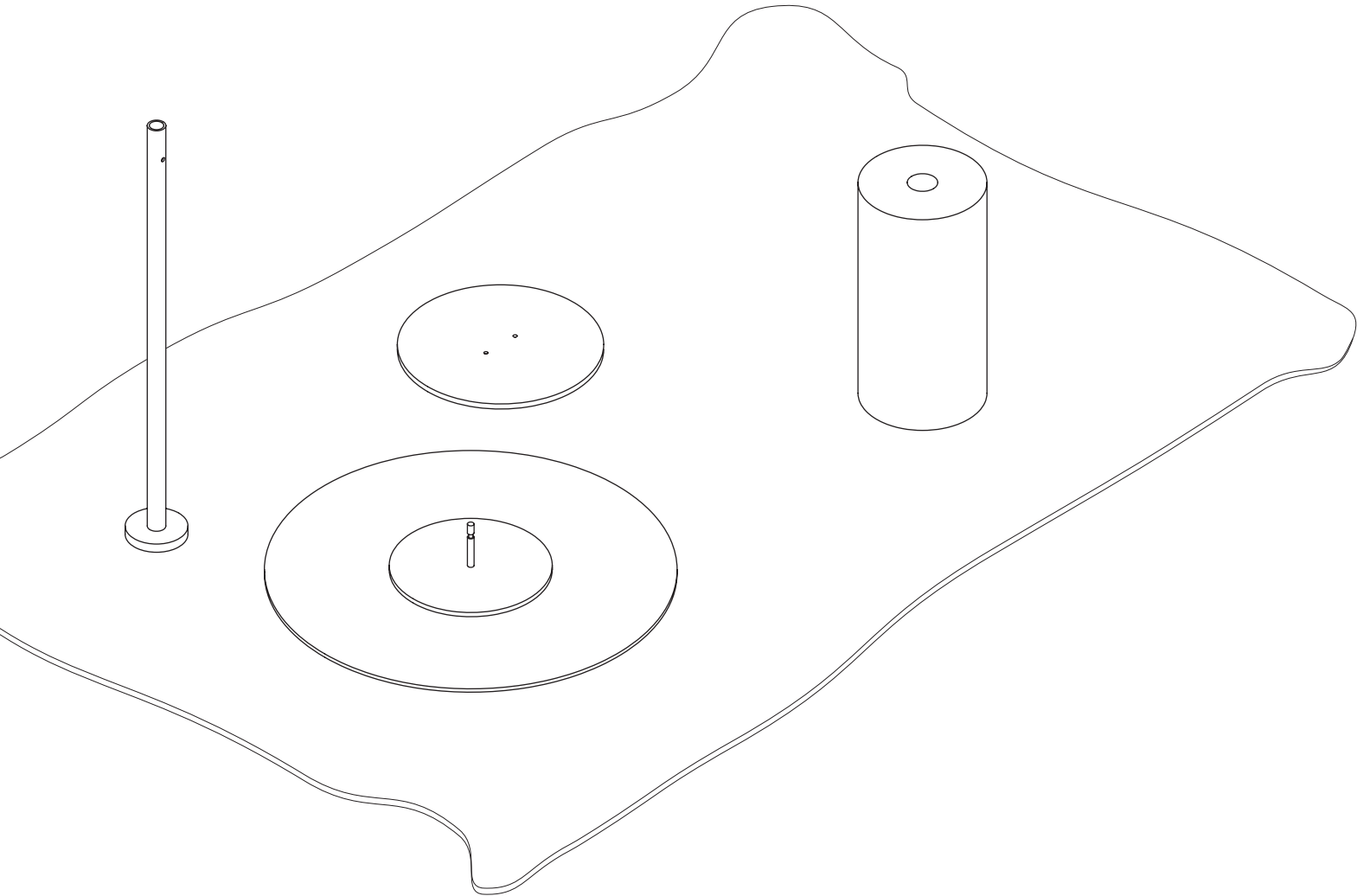
BOX WITH TERRACOTTA BASE



METAL STRUCTURE (TUBE, TOP, BASE PLATE),
ADHESIVE PADS SUITABLE FOR OUTDOOR,
2 SCREWS, 1 PLASTIC SLEEVE, 1 METAL PIN + 1
SPARE METAL PIN

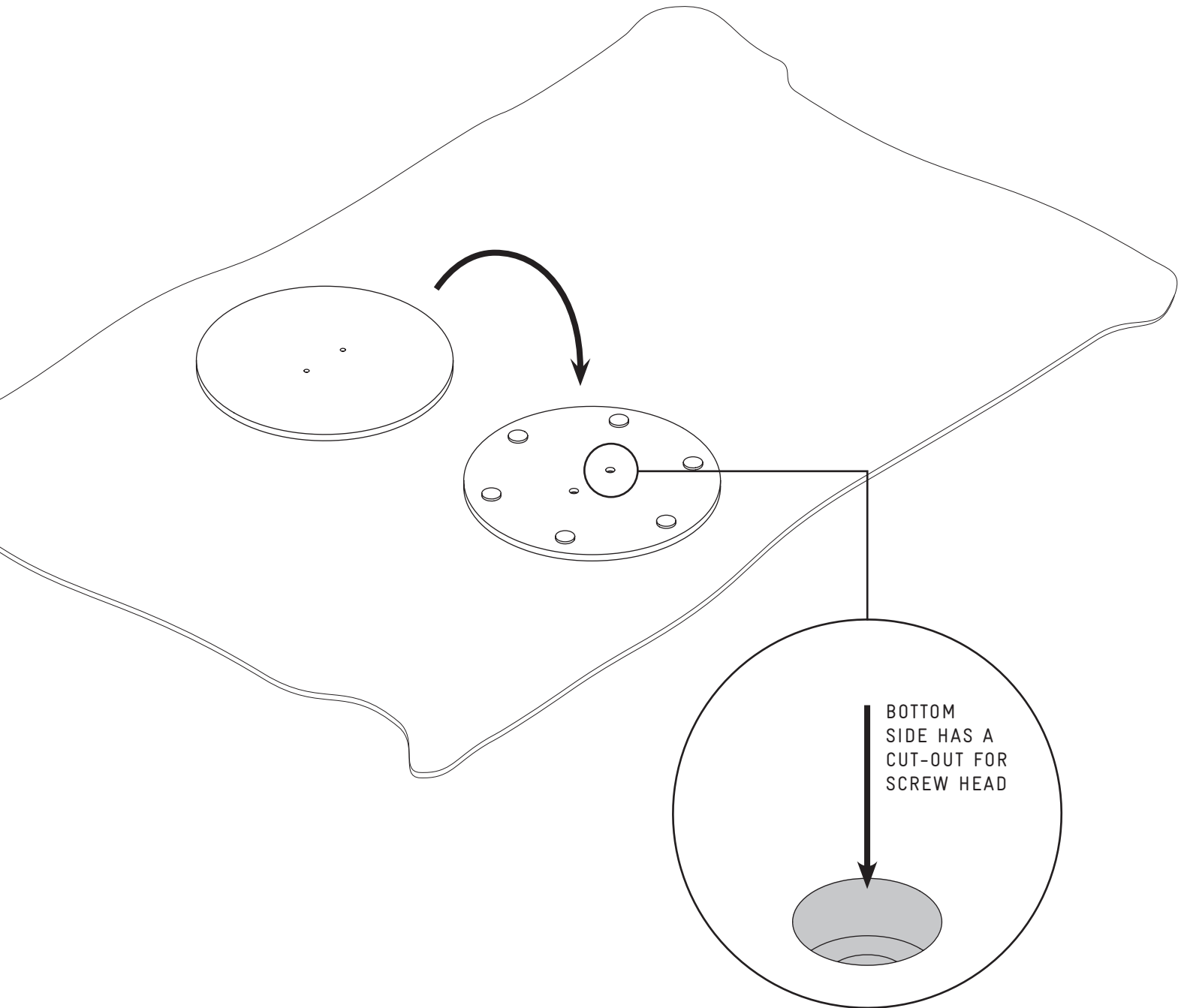
TERRACOTTA BASE

STRUCTURE ASSEMBLY



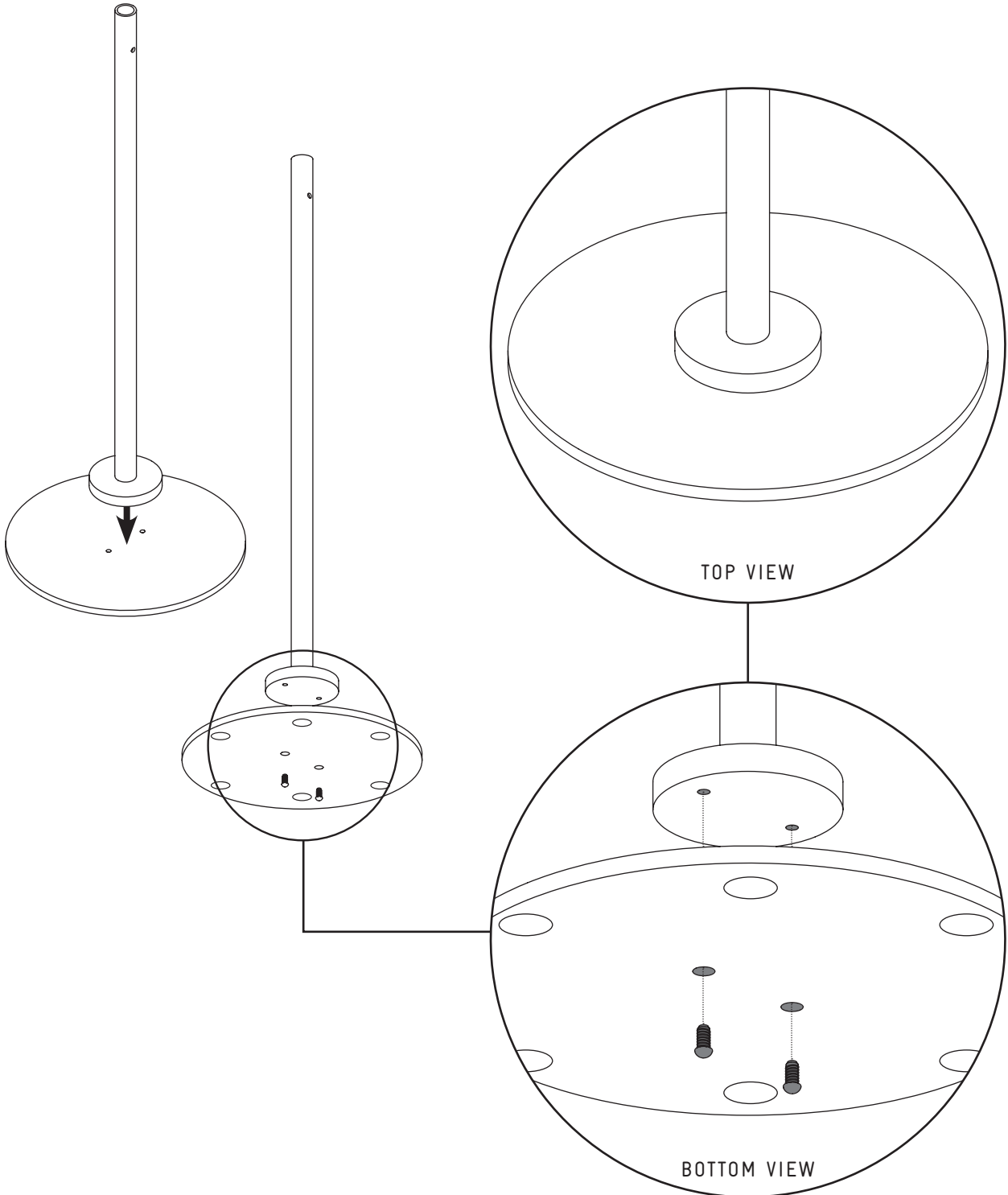
REMOVE ALL PARTS FROM THE PACKAGING, PLACING THEM ONTO A SOFT AND CLEAN SURFACE SUCH AS A BLANKET IN ORDER TO PROTECT THE LACQUER SURFACE.

STRUCTURE ASSEMBLY



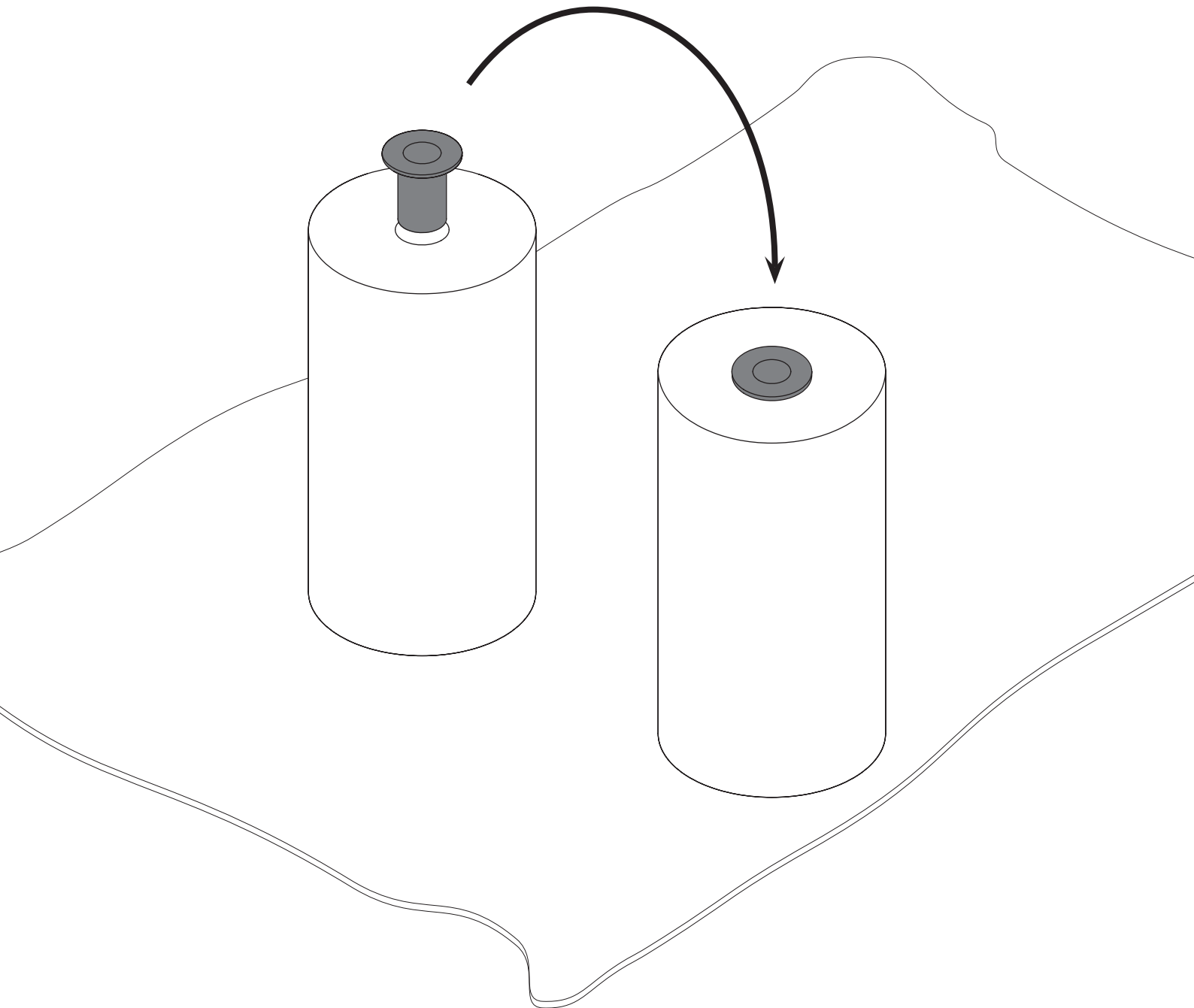
PLACE THE METAL BASE PLATE UPSIDE DOWN, MAKING SURE THAT THE CORRECT SIDE IS FACING UP. STICK THE 6 PROVIDED SELF-ADHESIVE RUBBER PADS ONTO THE BOTTOM SIDE OF THE METAL BASE PLATE, TAKING CARE TO NOT COVER ANY SCREW HOLE.

STRUCTURE ASSEMBLY



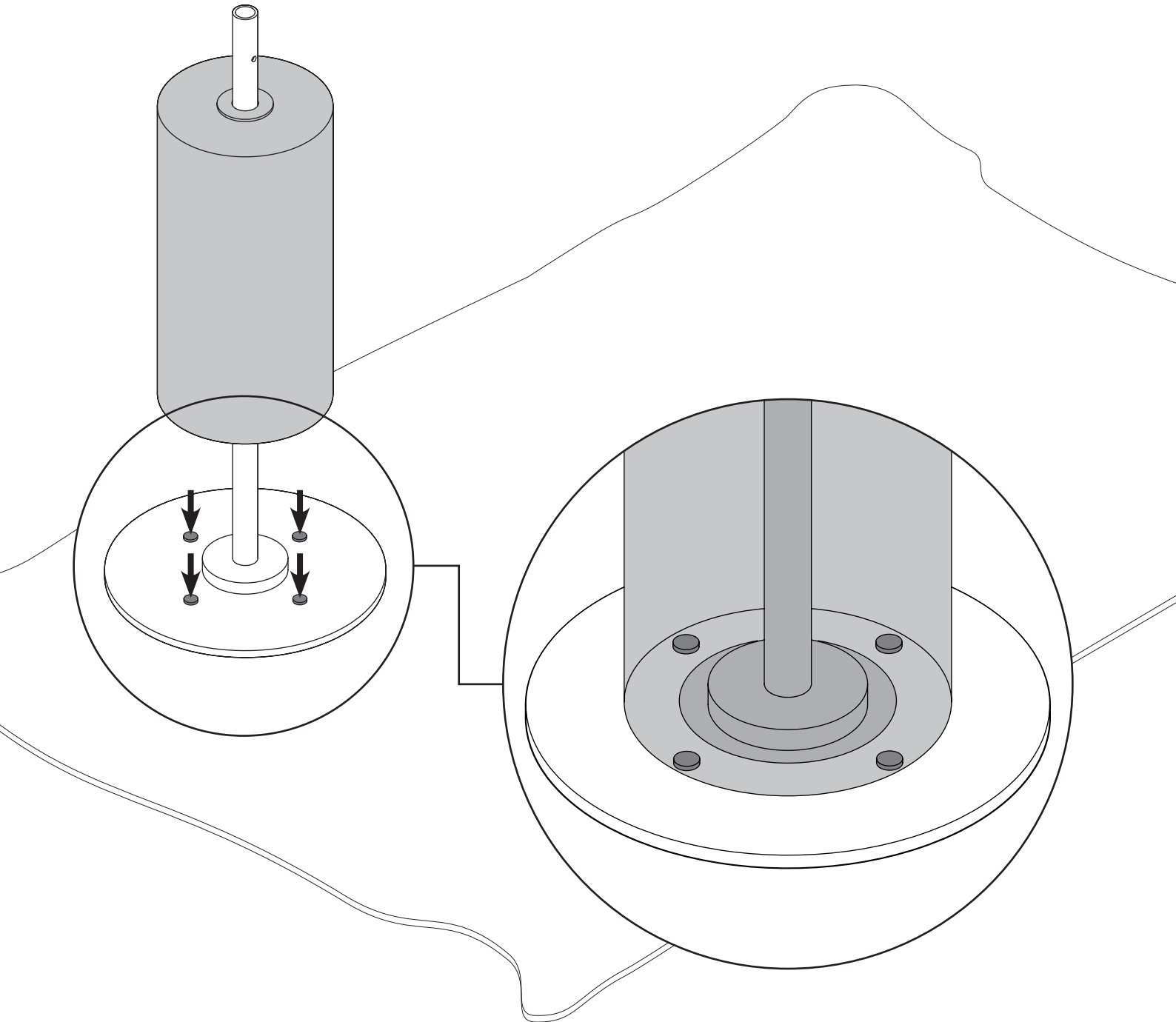
FIX THE METAL STEM ONTO THE BASE PLATE USING THE PROVIDED HARDWARE.
MAKE SURE THAT THE TWO PARTS ARE FITTED TOGETHER WELL.

TERRACOTTA ASSEMBLY



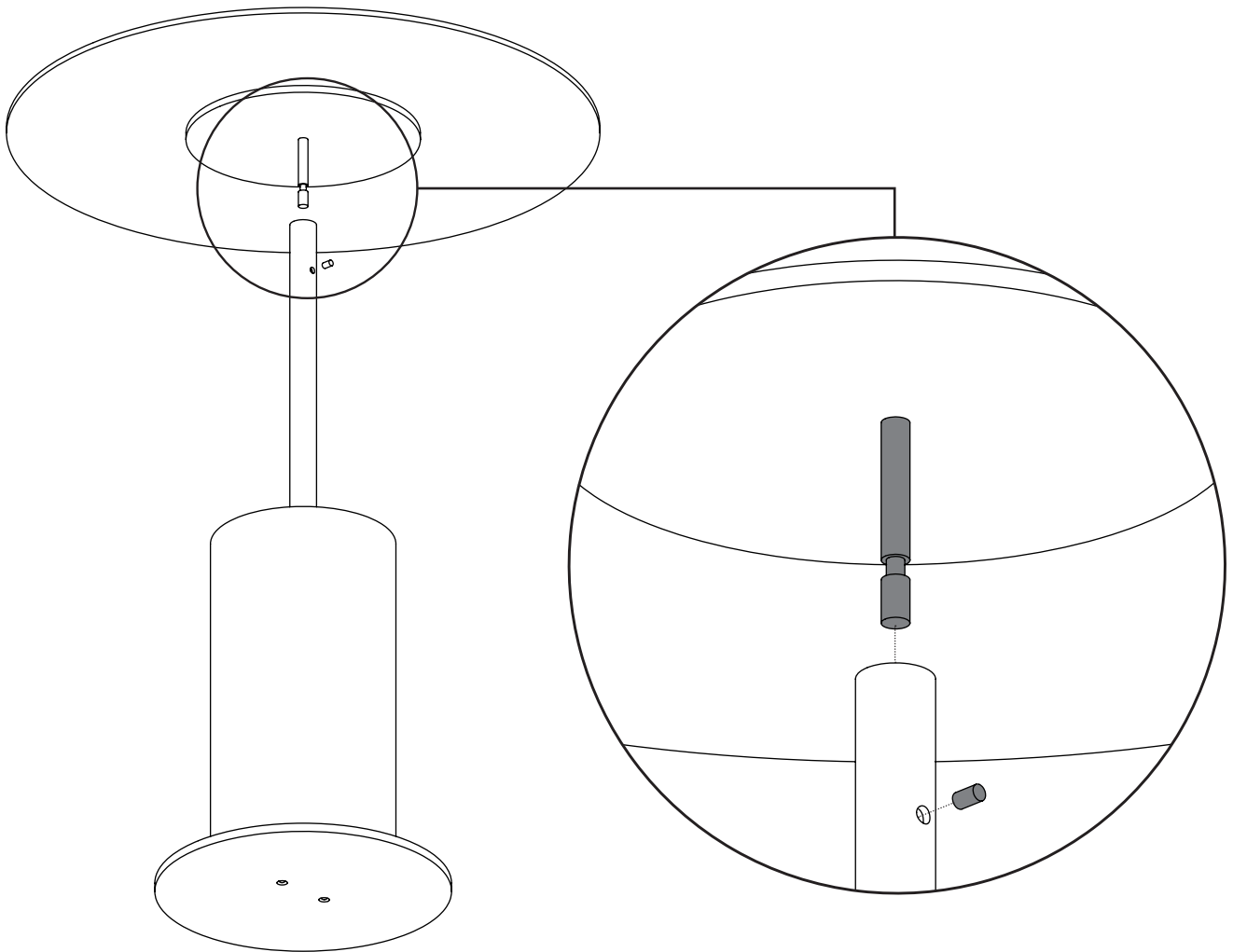
PUT THE PLASTIC SLEEVE OVER THE TERRACOTTA BASE.

STRUCTURE AND TERRACOTTA ASSEMBLY



PUT THE TERRACOTTA BASE TOGETHER WITH THE PLASTIC SLEEVE SLOWLY ONTO THE METAL STRUCTURE. POSITION THE TERRACOTTA PIECE ONTO THE METAL BASE PLATE. MAKE SURE THAT THE TERRACOTTA IS SITTING FLAT AND CENTRED ON THE BASE PLATE. PLACE THE RUBBER PADS ONTO THE METAL PLATE MAKING SURE THAT THEY SIT DIRECTLY UNDER THE TERRACOTTA PIECE.

TOP ASSEMBLY



FIX THE TOP ONTO THE METAL STEM USING THE PROVIDED METAL PIN.
MAKE SURE THAT THE TABLE TOP SITS FIRMLY ON THE STRUCTURE.

LOUIE TABLE

