

MICHELLE

DESIGNED BY TIM RUNDLE

ASSEMBLY INSTRUCTIONS
FLOOR MIRROR



SPØ1

THANK YOU FOR PURCHASING SP01,
WE HOPE YOU ENJOY YOUR FURNITURE FOR MANY YEARS TO COME.

THE SAFETY OF OUR PRODUCTS IS VERY IMPORTANT TO US,
AND WE ENCOURAGE YOU TO ALWAYS FOLLOW ASSEMBLY INSTRUCTIONS
AND SAFETY WARNINGS CAREFULLY.

PLEASE BE AWARE THAT SERIOUS OR FATAL CRUSHING INJURIES
CAN OCCUR FROM FURNITURE TIP-OVER.
TO PREVENT THIS PIECE FROM POTENTIALLY TIPPING OVER AND CAUSING
INJURY, WE STRONGLY RECOMMEND THAT IT SHOULD BE PERMANENTLY
FIXED TO THE WALL.

SPECIAL FIXING POINTS OR BRACKETS HAVE BEEN INCLUDED
AS PART OF THE DESIGN OF THIS PRODUCT.
PLEASE NOTE HOWEVER THAT HARDWARE IS NOT ALWAYS INCLUDED
BECAUSE DIFFERENT WALL MATERIALS REQUIRE DIFFERENT
TYPES OF FIXING HARDWARE.

IF YOU REQUIRE SPECIALISED ADVICE ON SUITABLE FIXING
HARDWARE PLEASE SEEK THE SERVICES OF A LOCAL TRADESPERSON
OR CONTACT THE SELLER OF THIS PRODUCT FOR MORE INFORMATION.

ENJOY



DISCLAIMER

THE ASSEMBLY INSTRUCTIONS ARE TO BE USED AS A GUIDE SHOWING
THE CONCEPT OF THE PRODUCT.
IT WILL NOT BE EQUAL TO THE PRODUCT YOU HAVE PURCHASED.

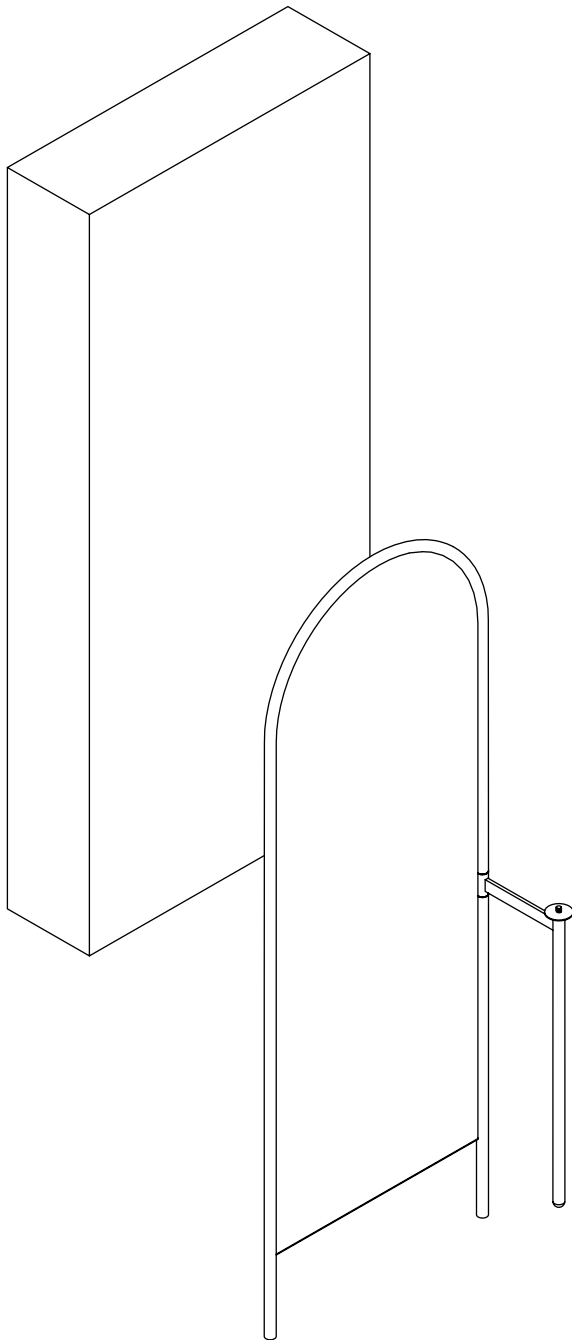
ENSURE THAT ALL STEPS ARE FOLLOWED IN THE CORRECT ORDER AND
THAT NO STEP IS LEFT OUT.
A MINIMUM OF TWO PEOPLE ARE REQUIRED FOR ASSEMBLY.

TO PREVENT ANY DAMAGE OF THE PRODUCT, DO NOT USE A BOX CUTTER,
KNIFE OR SHARP OBJECT TO OPEN THE BOXES.

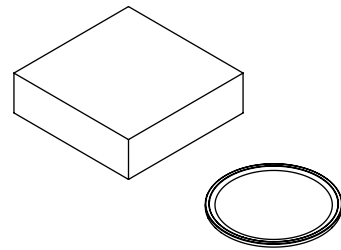
MICHELLE FLOOR MIRROR

PACKAGING
PARTS

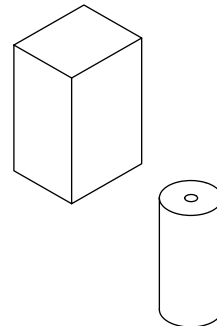
BOX WITH MIRROR STRUCTURE



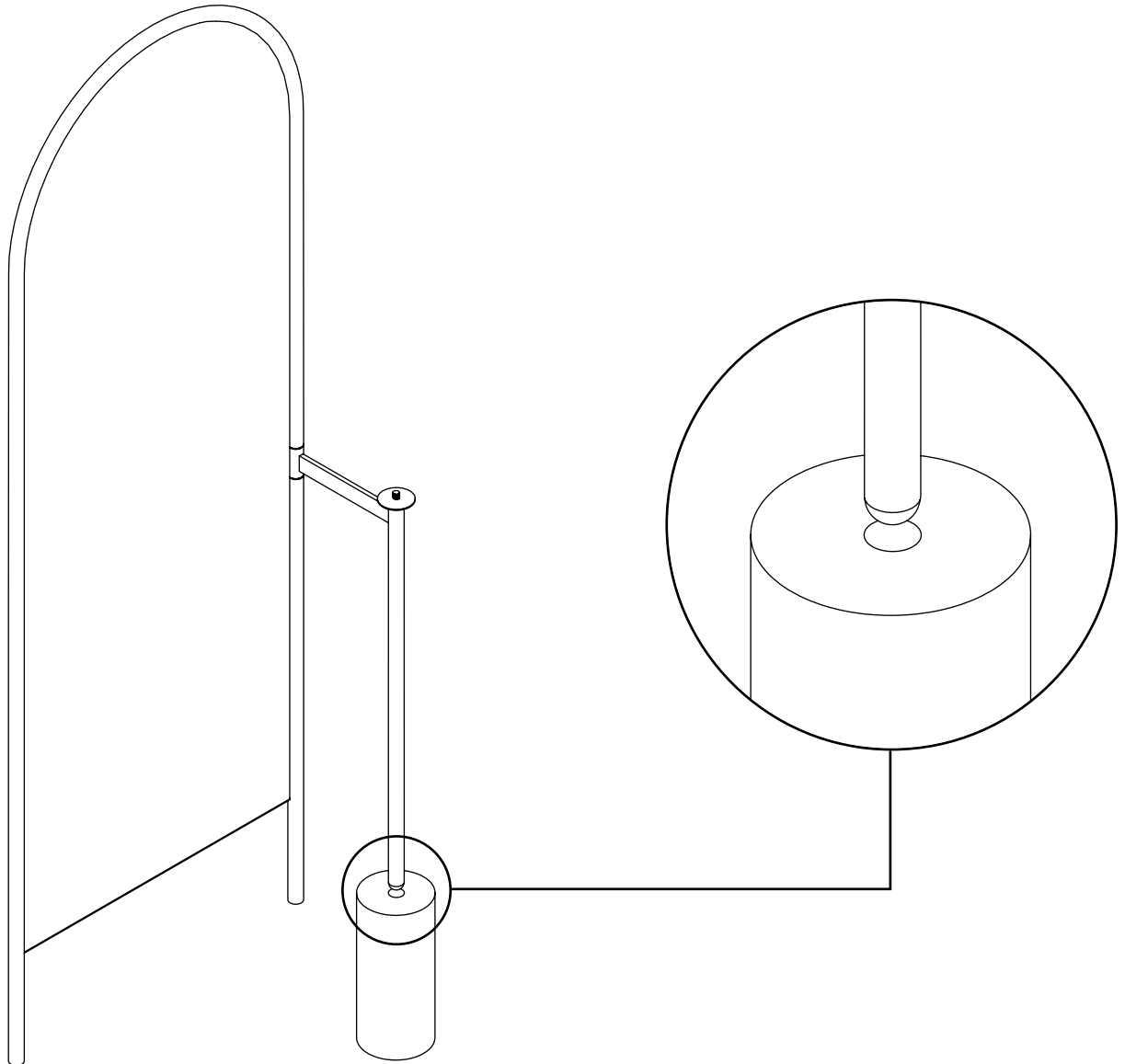
BOX WITH MARBLE TRAY



BOX WITH MARBLE BALLAST



FLOOR MIRROR ASSEMBLY

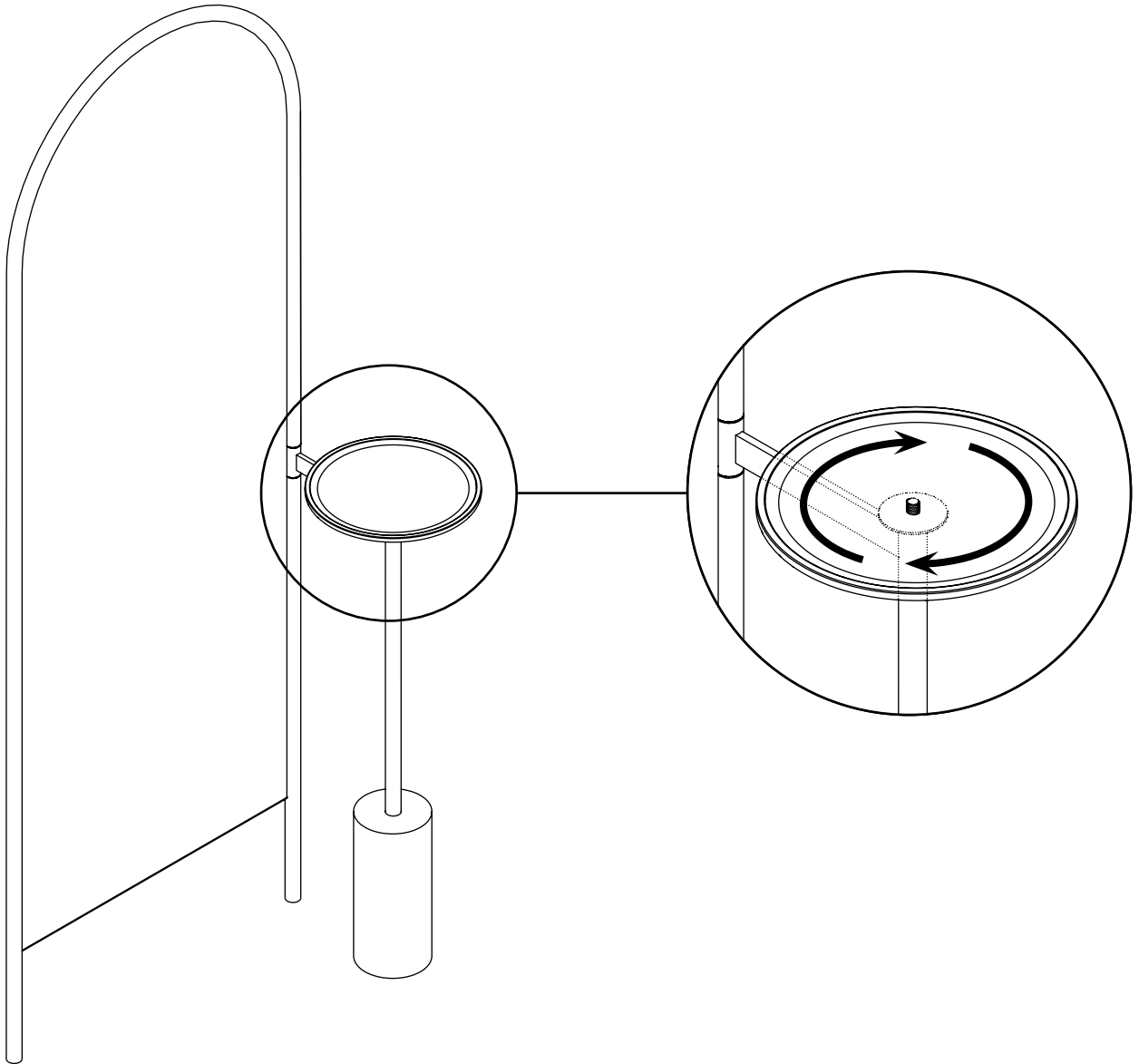


REMOVE THE MARBLE BALLAST FROM ITS PACKAGING AND PLACE IT ON THE FLOOR WITH THE HOLE FACING UP.

REMOVE THE MIRROR STRUCTURE FROM ITS BOX.

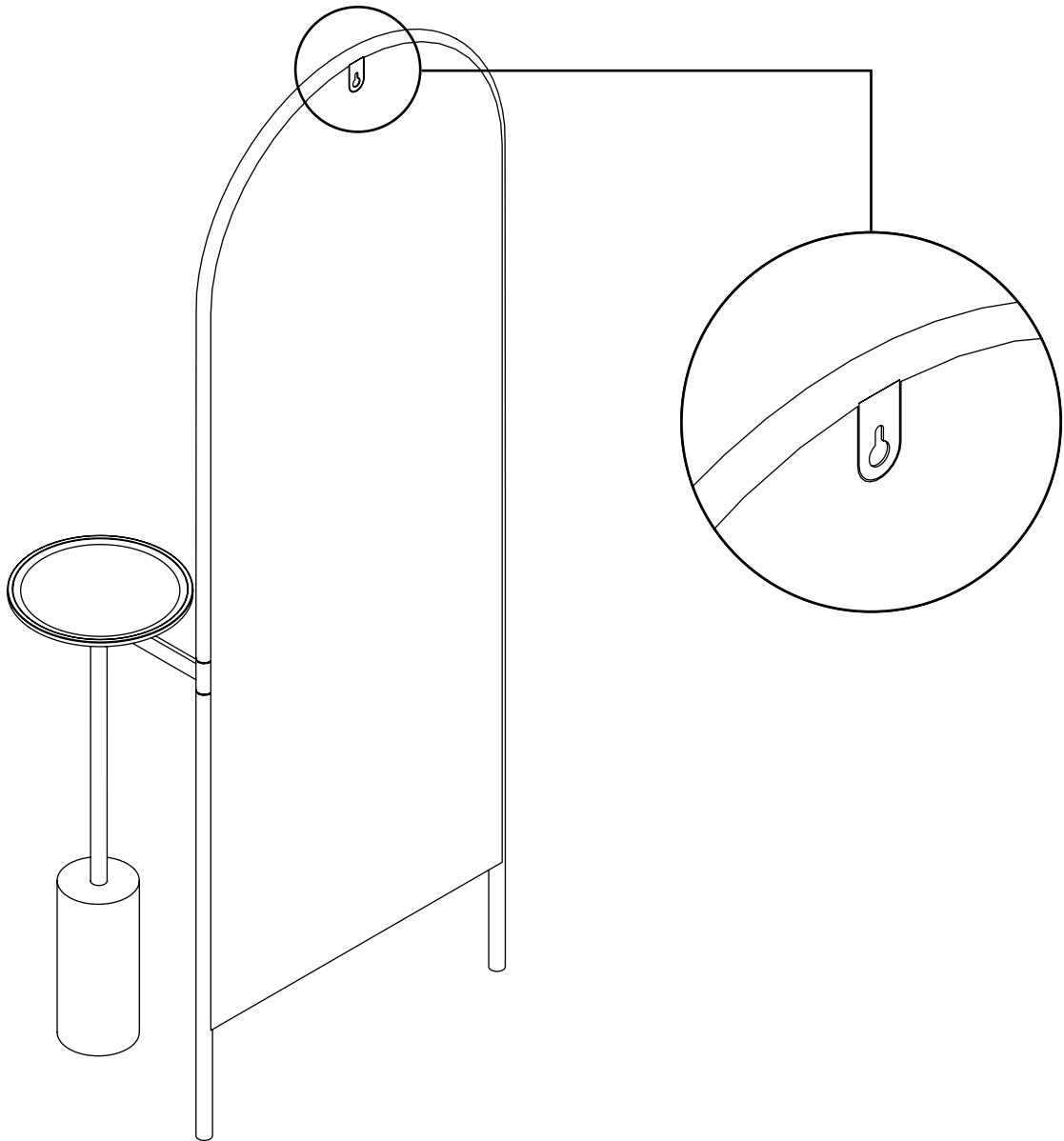
INSERT THE SHORT LEG OF THE MIRROR INTO THE MARBLE BALLAST WHILE ANOTHER PERSON IS STABILISING THE MIRROR FRAME.

FLOOR MIRROR ASSEMBLY



REMOVE THE MARBLE TRAY FROM ITS PACKAGING. PLACE IT ONTO THE METAL ARM CONNECTED TO THE MARBLE BASE AND FIX IT BY ROTATION WHILE ONE PERSON IS STABILISING THE MIRROR.

FLOOR MIRROR ASSEMBLY



CHECK ITS OVERALL STABILITY.
IT IS STRONGLY RECOMMENDED TO MOUNT THE MIRROR TO THE WALL.

MICHELLE FLOOR MIRROR

