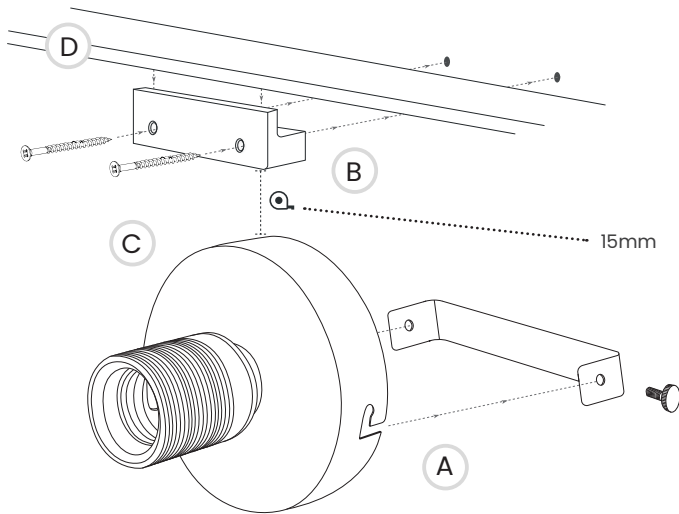


Wall Light Installation Instructions



Only qualified persons should assemble the luminaire. If in doubt, consult a suitably qualified electrician. Installation MUST be carried out in accordance and compliance with current building regulations.

Ensure the electrical supply is turned OFF at the fuse board.

1. Identify if there are any hidden pipes or electrical cables in the wall to avoid causing damage or risk of electrical shock during installation. Connect the lamp holder to the electricity supply (**220-240V AC 50-60Hz**). Determine the fixing method appropriate to the wall structure and secure the metal bracket of the lamp holder to the wall using the screws provided (A). Fit the lamp holder to the metal bracket using the thumbscrews to tighten, securing into place.
2. Position the wooden L bracket (B) 15mm above the brass lamp holder. Make sure the lip is facing up as detailed above. Once it is positioned and marked level at the correct height, determine the fixing method appropriate to the wall structure and attach to the wall using the pozidriv screws provided (C).
3. Screw in your chosen light bulb. The lampshade has been designed to work with an **LED** bulb, up to a maximum of **25 Watts**.
4. Carefully hook the hanging bar (D) of the lampshade over the lip of the bracket making sure it is sitting central to the bracket and lamp holder.
5. Turn the power supply on to complete installation.

FOR INDOOR USE ONLY

**** If any part of the assembly is damaged it must be returned to the seller for repair or replacement****

For more information on the installation of your product: contact@tomraffield.com +44 (0)1326 722725

Tom Raffield LTD, Church View Business Park, Bickland Water Road, Falmouth, TR11 4FZ