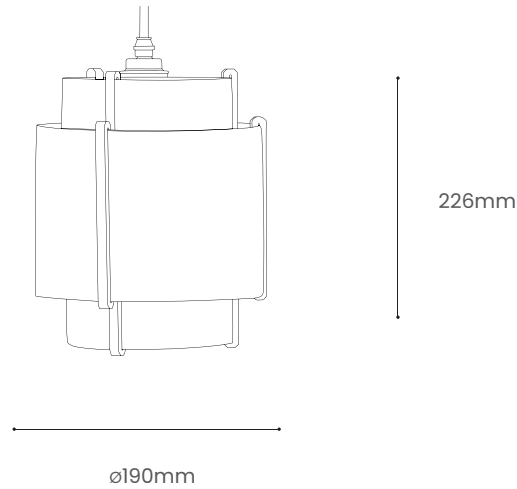


# LEVEN PENDANT SMALL

Tom Raffield

## Product Specification

Leven Pendant Small



Showcasing structural beauty. Inspired by the striking formations of smooth, sea-eroded cliff faces and ridged headlands that distinguish the north coast of Cornwall, the Leven Lighting Range effortlessly elevates space with its tiered drum aesthetic.

Meaning 'level' in Cornish, the Leven Pendant Small is handcrafted using three tiers of curving oak or walnut timber that climb a central plywood frame summit. Secured at the seams with four brass accented rivets, each arching layer of sustainably sourced wood builds a balanced silhouette of careful craftsmanship. A smaller alternative to our Leven Pendant that lends the same layered luminescence to modern interiors. With a blend of Scandinavian and Art Deco aesthetics, use the wooden Leven Pendant Small in multiples to illuminate hallways, dining spaces and kitchens alike. Perfect for creating your own clusters or bringing a soft spotlight effect to specific areas in your space.

Glow beyond. Elevate your interior.

Product Type : Pendant Light	SKU	Wood types	Dimensions L x W x H (mm)		Weight (kg)	
			Unboxed	Boxed	Unboxed	Boxed
Leven Pendant Small	TR-LEVN-F-O-SML	Oak	Ø190 x 226	220 x 530 x 220	0.23	1.15
	TR-LEVN-F-W-SML	Walnut				
Materials	Oak	Walnut	Other materials Birch ply hanging disk and frame			
Finish	Non-toxic, hard wearing water based varnish - satin					
Wiring kit option : 1	Black ceiling rose and brass bulb holder	Ceiling kit	Flex		Recommended light bulb	
		Ceiling rose: Ø100mm E27 (240v) / E26 (110v)	Flex colour: black fabric Flex length: 2m (Adjustable)		Max 25W LED	
Wiring kit option : 2	Brushed steel ceiling rose and bulb holder	Ceiling kit	Flex		Recommended light bulb	
		Ceiling rose: Ø100mm E27 (240v) / E26 (110v)	Flex colour: light grey fabric Flex length: 2m (Adjustable)		Max 25W LED	
Care information	Dusting your light regularly and with a light feather duster should keep your light looking clean, otherwise wipe with a damp cloth and remove any moisture with a dry cloth. Gentle furniture polishes can also be used.					
Additional information	<ul style="list-style-type: none"> <li>This light can be used with your existing E27/E26 pendant fitting. Suitable for use on 240v and 110v circuits.</li> <li>A shade ring adaptor can be fitted so the light can be used on a bayonet (B22) pendant fitting.</li> <li>Installation instructions included.</li> </ul>					