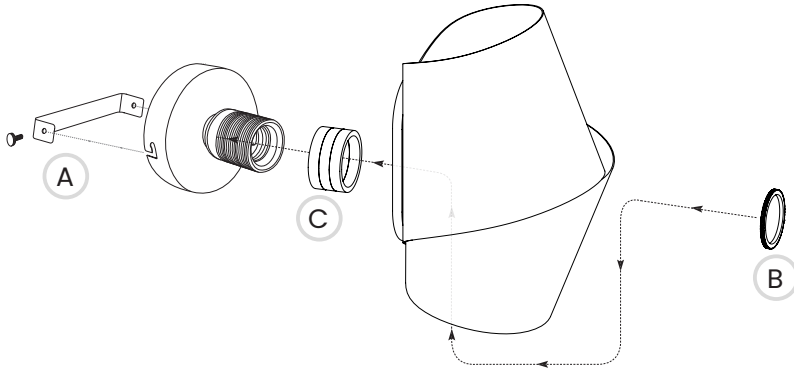


Neap Wall Light Installation Instructions



Only qualified persons should assemble the luminaire. If in doubt, consult a suitably qualified electrician. Installation MUST be carried out in accordance and compliance with current building regulations. This fitting must be earthed.

Ensure the electrical supply is turned OFF at the fuse board.

1. Identify if there are any hidden pipes or electrical cables in the wall to avoid causing damage or risk of electrical shock during installation. Connect the lamp holder to the electricity supply (**220-240V AC 50-60Hz**). Determine the fixing method appropriate to the wall structure and secure the metal bracket of the lamp holder to the wall using the screws provided (A). Fit the lamp holder to the metal bracket using the thumbscrews to tighten, securing into place.
2. Undo the shade ring (B) and fit the the wooden spacer ring supplied (C) onto the lamp holder and fit the Neap Wall Light onto the bulb holder. Ensure the shade is flush against the wooden spacer ring and secure in place by replacing the shade ring.
3. Screw in the light bulb included. The lampshade has been designed to work with an E27 **LED** light bulb, up to a maximum of **6.5 Watts**. ***
4. Turn the power supply on to complete installation.

**** This lampshade must be used with the light bulb supplied. If the bulb should need replacing, it must be replaced with an E27 **LED** bulb of equal size (**Ø45mm x H76mm**) and power output (**6.5 Watts**).*

FOR INDOOR USE ONLY

**** If any part of the assembly is damaged it must be returned to the seller for repair or replacement****