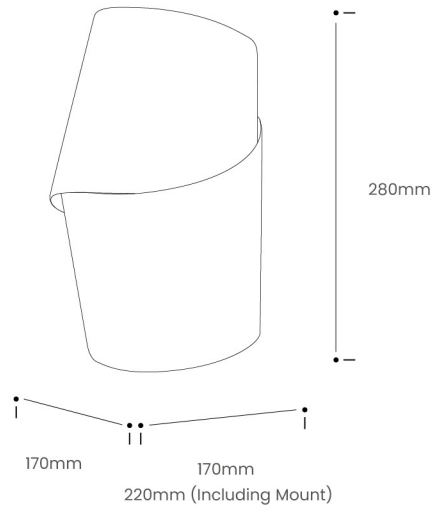


NEAP WALL LIGHT

Product Specification

Tom Raffield

Neap Wall Light



Tracing from crest to trough, a single piece of sustainably sourced oak or walnut wood seamlessly intertwines to form an enigmatic wall light. Mirroring the moon's gravitational pull over the tide, the Neap Wall Light's wooden silhouette showcases continuity. The Neap's elegant form carves a perfectly balanced path of light to brighten above and below. An intuitive lighting design that sweeps a soft ambient glow to far corners and suits an array of spaces.

Step into the wave, invigorate your interiors.

Product Type : Wall Light	SKU	Wood types	Dimensions L x W x H (mm)		Weight (kg)	
			Unboxed	Boxed	Unboxed	Boxed
Neap Wall Light	TR-NEAP-WL-O	Oak	170 x 170 x 280 170 x 220 x 280 (including mount)	270 x 270 x 270	0.15	0.8
	TR-NEAP-WL-W	Walnut				
Materials	Oak	Walnut	Other materials Birch ply mounting plate			
Finish	Non-toxic, hard wearing water based varnish - satin					
Wall kit options	Brushed brass rose and bulb holder	Wall kit	Flex	Recomended light bulb		
		Rose: Ø100mm E27 (240v)	-	Max 25W LED		
Care information	Dusting your light regularly and with a light feather duster should keep your light looking clean, otherwise wipe with a damp cloth and remove any moisture with a dry cloth. Gentle furniture polishes can also be used.					
Additional information	<ul style="list-style-type: none"> Suitable for use on 240v circuits. Installation instructions and fixings included. This product must be installed by a qualified electrician. 					

Tom Raffield Ltd, F3 Church View Business Park, Bickland Water Rd, Falmouth TR11 4FZ, UK
tomraffield.com contact@tomraffield.com +44 (0) 1326 722725 #tomraffield @tomraffield

Due to the character of handcrafted natural products, all dimensions are approximate. Wood colour may slightly vary.
All products, prices and leadtimes are correct at time of print and are subject to change without notice.